



CABLE LADDER



CATALOG

— CABLE LADDER INSTRODUCTION
PAGES 01

— LIGHT DUTY
PAGES 02 - 05

34H 30H CABLE LADDER
PAGES 02 - 03

ERICSSON STEEL A CABLE LADDER
PAGES 04 - 05

— HEAVY DUTY
PAGES 06 - 09

STEEL U CABLE LADDER
PAGES 06 - 07

DX DX CABLE LADDER
PAGES 08 - 09



CABLE LADDER INTRODUCTION

For indoor use

Aluminum cable ladder and steel cable ladder
(with electro zinc plated treatment)

Application

Telecommunication room, network room, data center and telecommunication base.

For outdoor use

Perforated U shape steel cable ladder, flat steel cable ladder, L shape steel cable ladder
(with hot dip galvanized treatment)

Feature

Nice design, various model, easy mounting, strong structure.

**CLASSIFICATION BY
LOADING CAPACITY.**

LIGHT DUTY

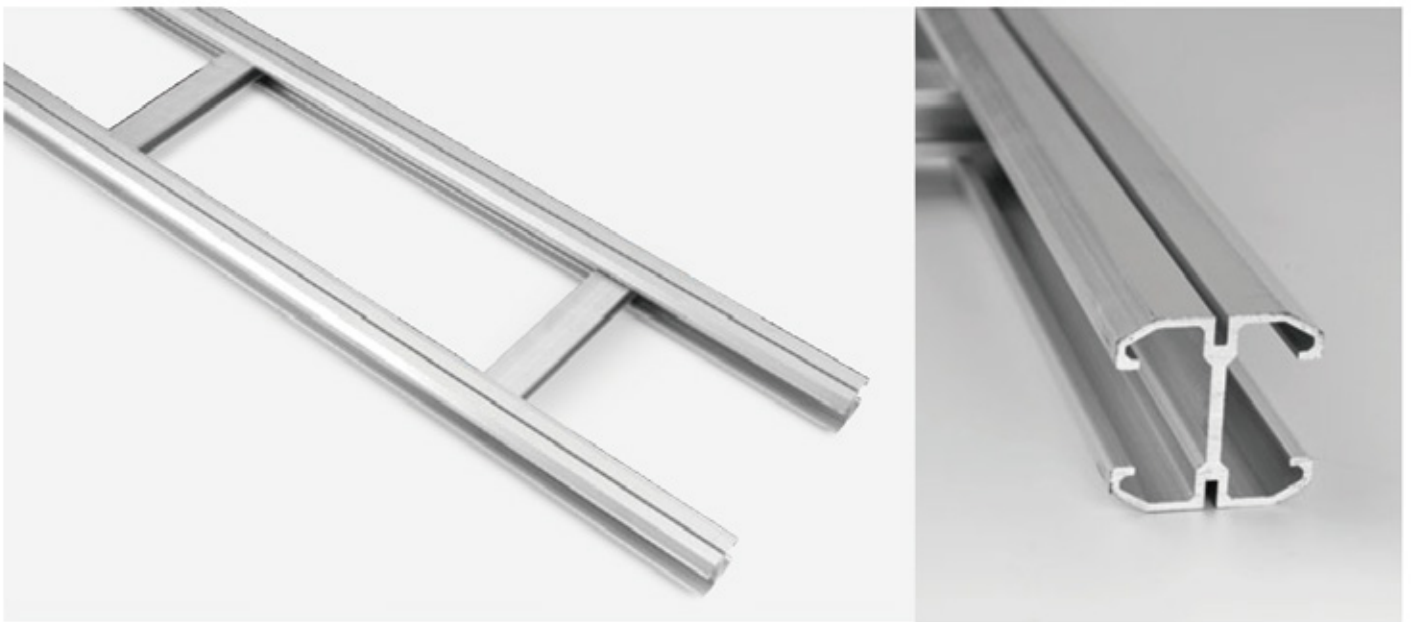
34H 30H
ERICSSON STEEL A

HEAVY DUTY

DX DX
STEEL U 2.0.

Light Duty

34H 30H CABLE LADDER



MODEL: 34H 30H CABLE LADDER

Side rail 34H, Section view size: 34mm*34mm

Rung 30h, Section view size: 30mm*16mm

Wide: 200mm-800mm; Length: 2000mm or 3000mm

Application: Small data center

Feature: Easy mounting, nice and economy.



34H 30H CABLE LADDER

<p>1 34H aluminum boundary beam</p>	
<p>2 30H aluminum rung</p>	
<p>3 Cross recess pan head screw</p>	
<p>4 General outside pressure plate</p>	
<p>5 General inside pressure plate</p>	
<p>6 Plastic overhead guard</p>	
<p>7 U screw</p>	
<p>8 Screw</p>	
<p>9 Hex flange nuts</p>	
<p>10 U hangoff receptacle</p>	
<p>11 General wall on</p>	
<p>12 Heavy duty plug bolt</p>	
<p>13 Hexagon flange bolts</p>	
<p>14 Square nut</p>	
<p>15 34H Angle Support</p>	
<p>16 Vertical connecting piece</p>	
<p>17 50L piece</p>	

CABLE LADDER

Light Duty

ERICSSON STEEL A CABLE LADDER



MODEL: ERICSSON STEEL A CABLE LADDER

Side rail angel steel with 5-6mm thickness, rung flat steel with 5-6mm thickness.

Wide: 200mm-600mm; Length: 2000mm or 3000mm

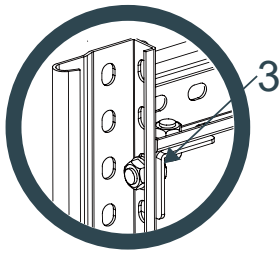
Application: Small data center.

Feature: Powder coated for indoor use, hot dip galvanized for outdoor use.

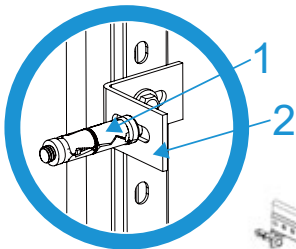
Simple assemble and easy mounting.

1 Heavy duty plug bolt	5 Ericsson rung	9 Hexagon flange bolts
2 50L piece	6 Ericsson trapezoid rung	10 hex flange nuts
3 30l piece	7 Ericsson horizontal turning piece	
4 Ericsson boundary beam	8 Ericsson Course modules	

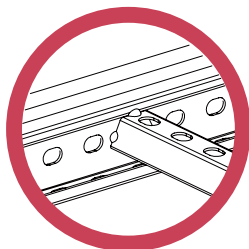
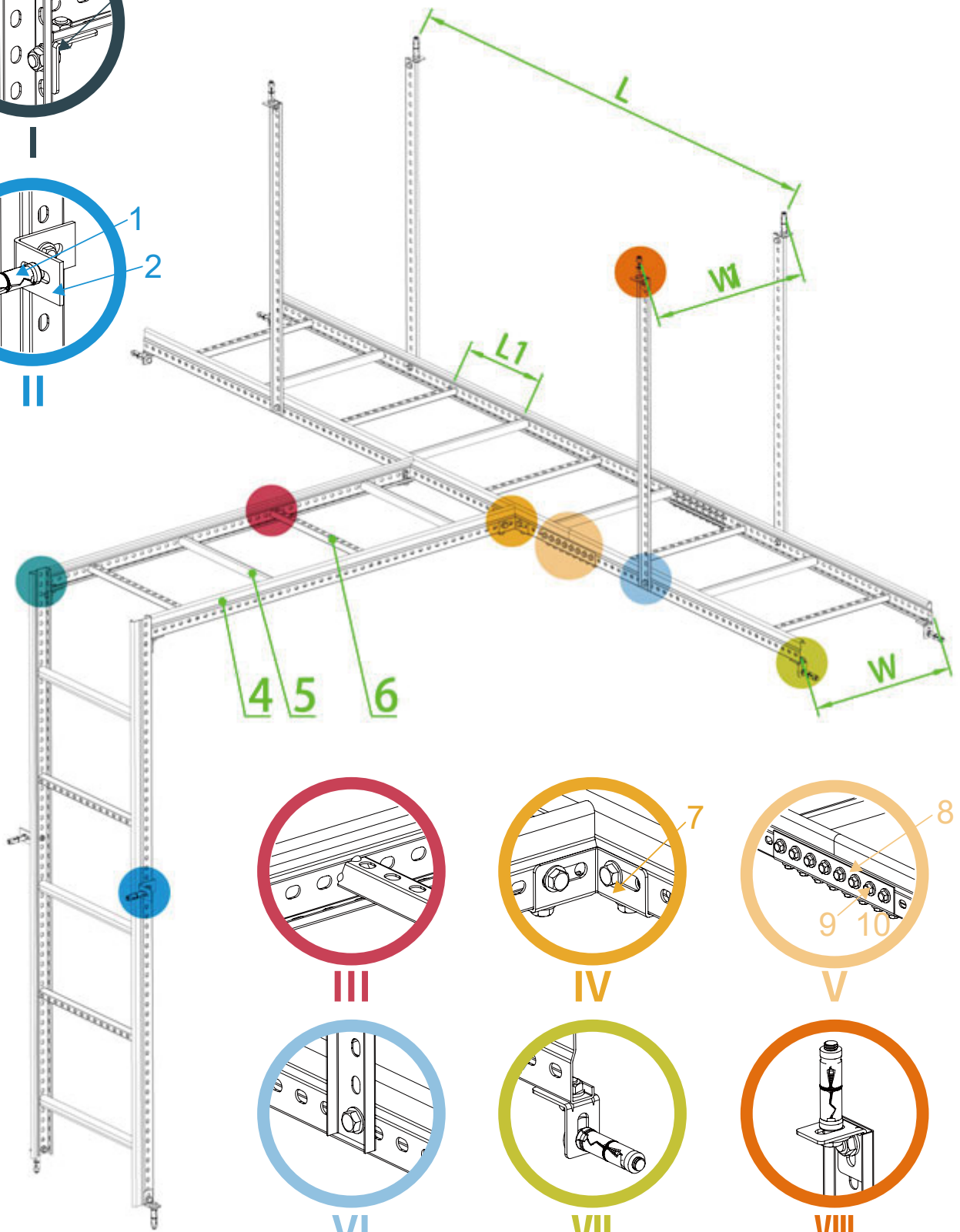
ERICSSON STEEL A CABLE LADDER



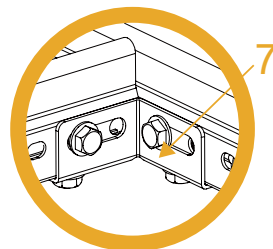
I



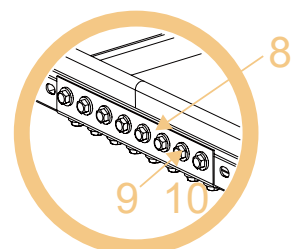
II



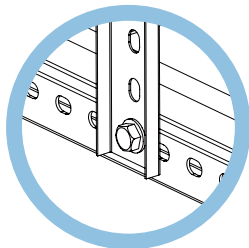
III



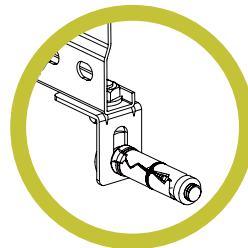
IV



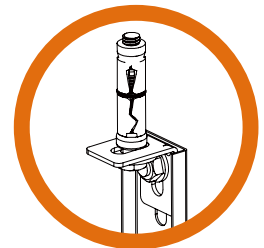
V



VI



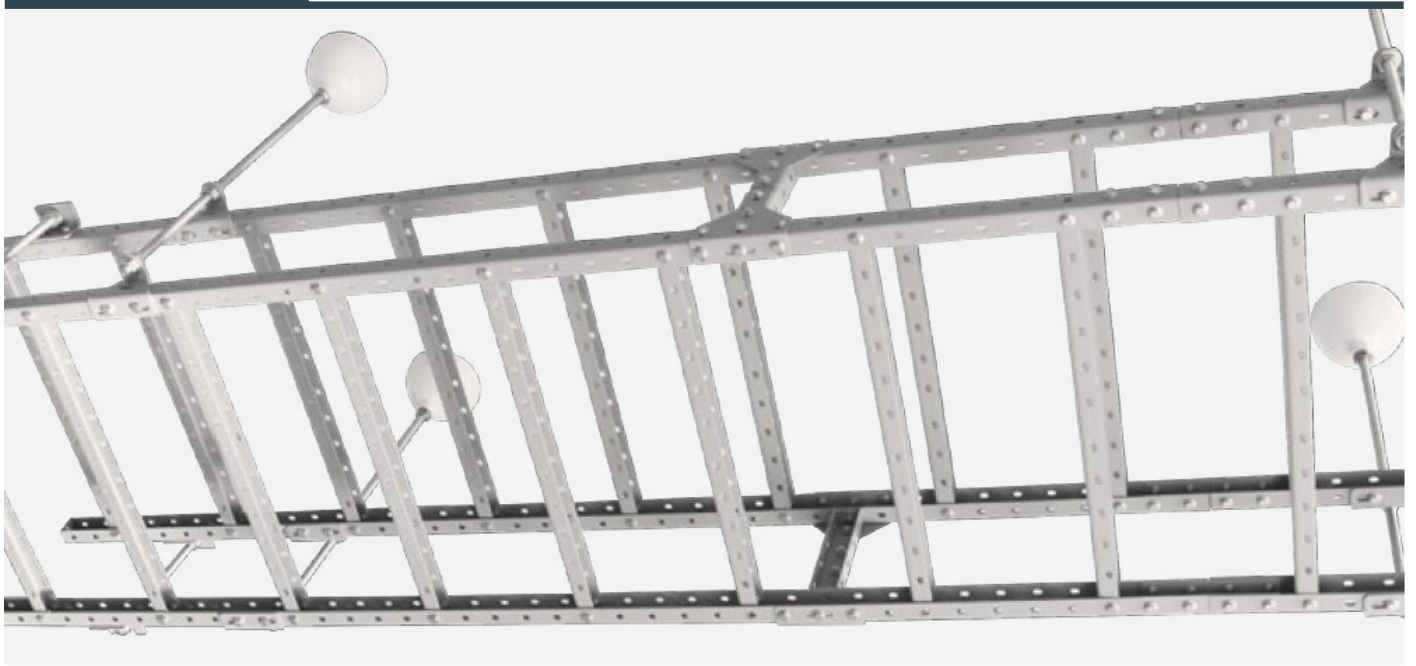
VII



VIII

Heavy Duty

STEEL U CABLE LADDER



MODEL: STEEL U CABLE LADDER

Side rail U shape steel, **Section view size:** 33mm*42mm*33mm

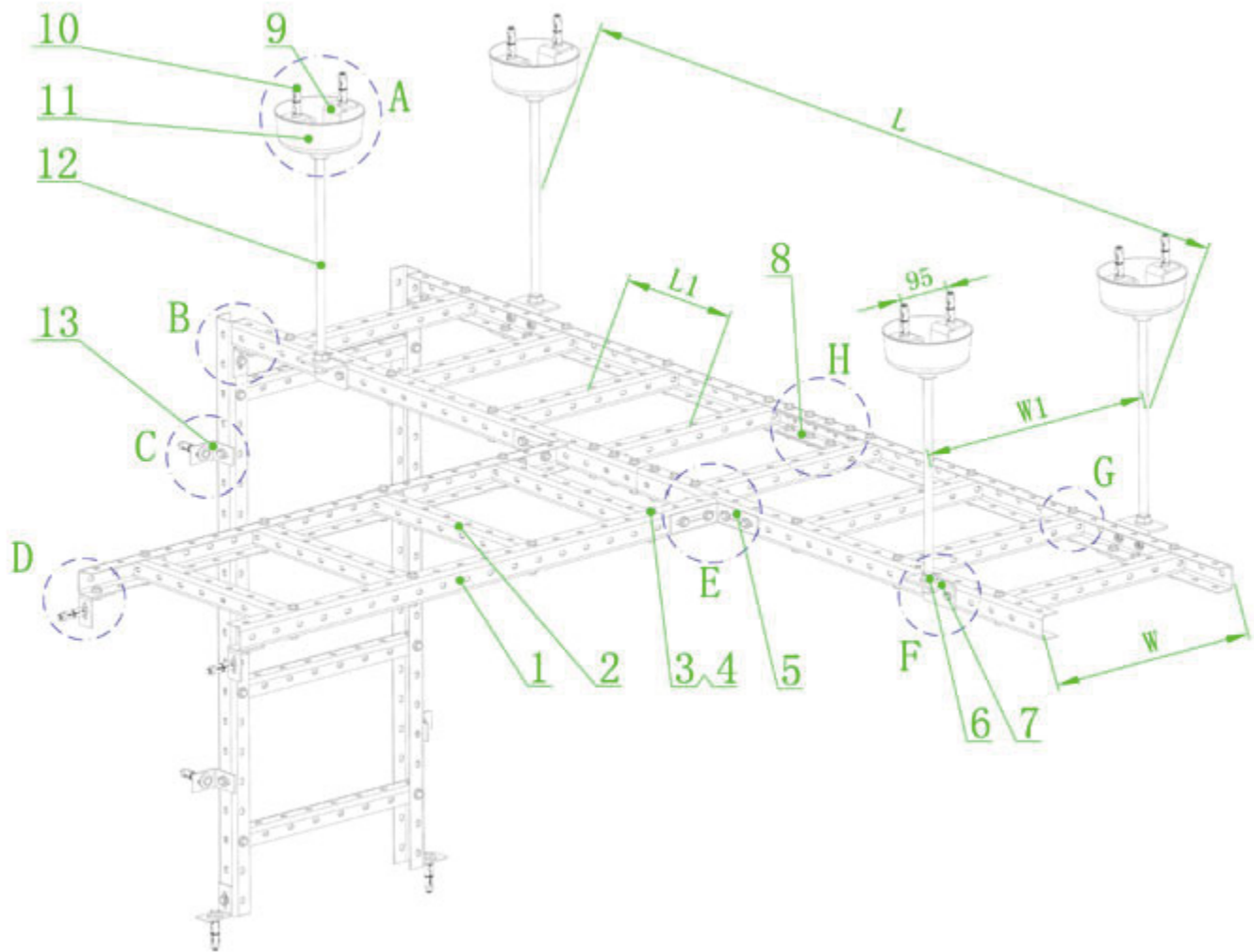
Rung U steel, **Section view size:** 28mm*34mm*28mm, 1.5-3mm thickness.

Wide: 200mm-800mm; length: 2000mm or 3000mm

Application: medium duty and heavy duty data center.

Feature: adopt the fine quality electro zinc plated chill steel, power coated for indoor use, hot dip galvanized for outdoor use. Simple assemble and easy mounting

STEEL U CABLE LADDER



1 U steel boundary beam

6 Hex flange nuts

11 Plastic overhead guard

2 U steel rung

7 Hangoff receptacle

12 Screw

3 Hexagon flange bolts

8 U steel quadripuntal Course modules

13 50L piece

4 Hex flange nuts

9 U piece

5 100L piece

10 Heavy duty plug bolt

Heavy Duty

DX DX CABLE LADDER



MODEL: DX DX CABLE LADDER

DX type side rail, **Size:** 31mm*45mm

Wide: 200mm-1000mm; **Length:** 2000mm or 3000mm

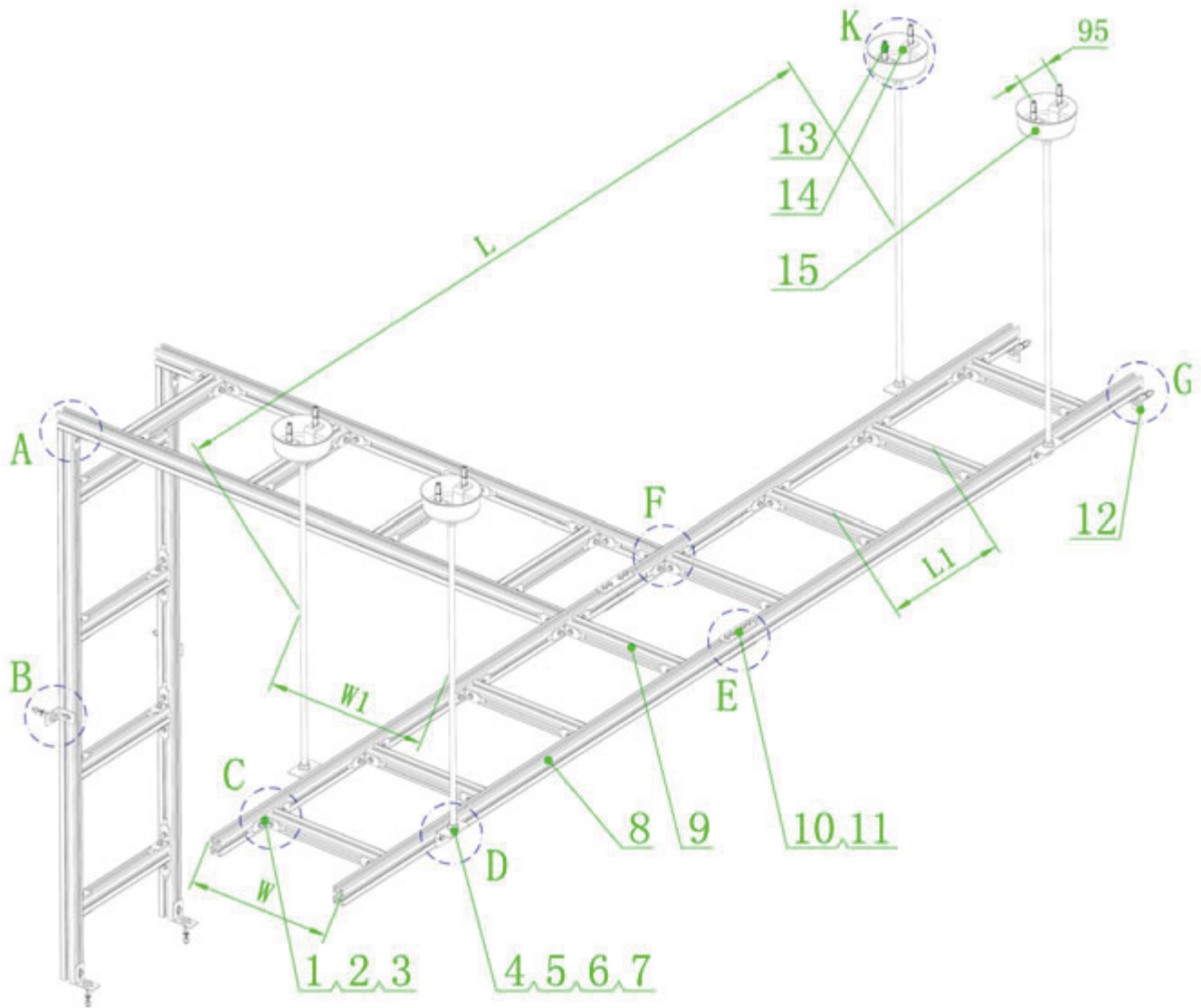
Rung DX type or 32k type

Application: Medium duty and heavy duty data center.

Feature: easy mounting, nice design and economy



DX DX CABLE LADDER



1 Square nut	6 Screw	11 Inside pressure plate
2 Hexagon flange bolts	7 Hex flange nuts	12 50L piece
3 12# Hexagon flange bolts	8 DX aluminum boundary beam	13 Heavy duty plug bolt
4 Hexagon flange bolts	9 DX aluminum rung	14 C fitting
5 Hangoff receptacle	10 Outside pressure plate	15 Plastic lid