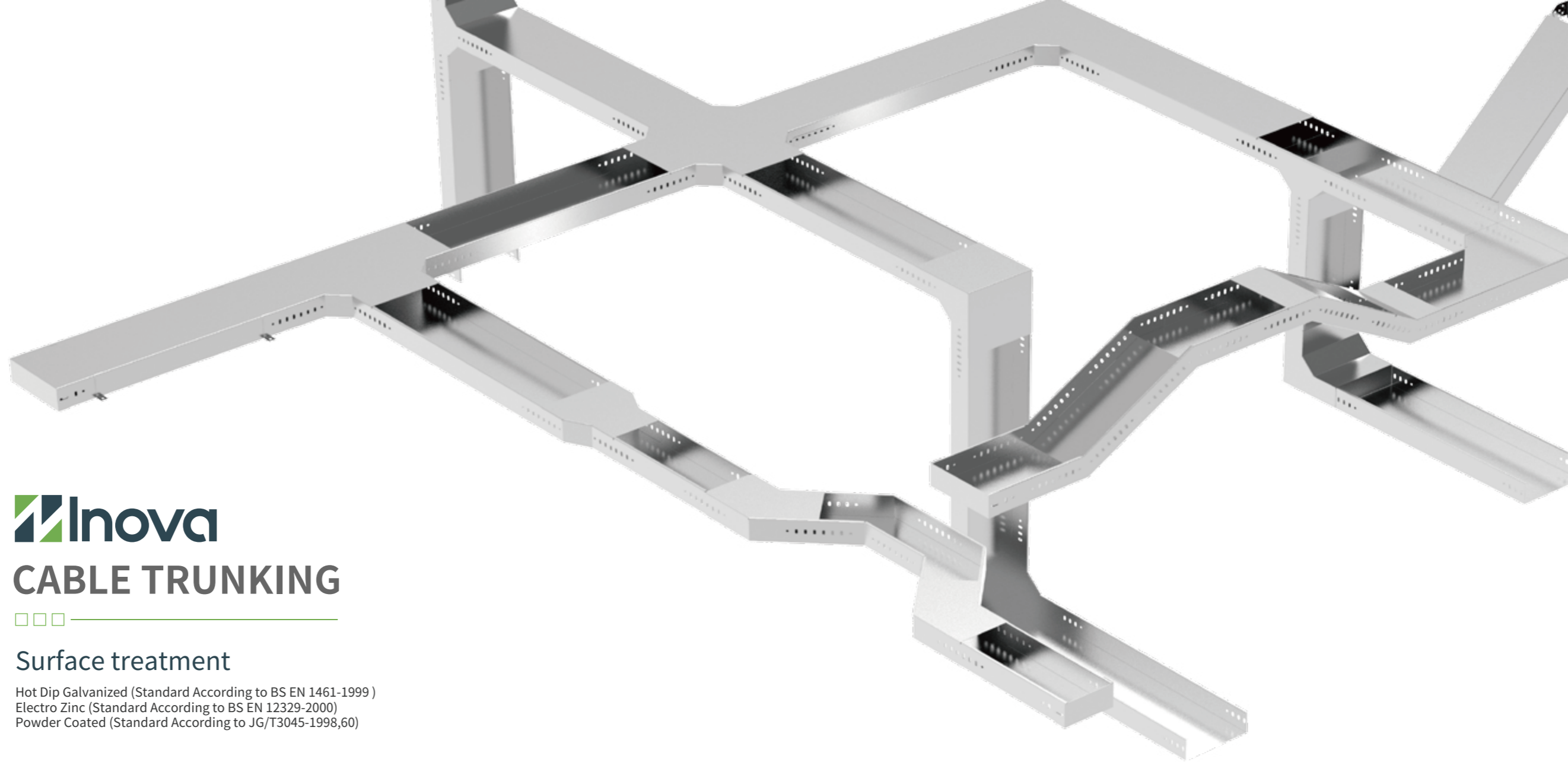




# CABLE TRUNKING





## CABLE TRUNKING



### Surface treatment

Hot Dip Galvanized (Standard According to BS EN 1461-1999)  
 Electro Zinc (Standard According to BS EN 12329-2000)  
 Powder Coated (Standard According to JG/T3045-1998,60)

### Material

Carbon steel (Q235B)  
 Stainless Steel ( 304L / 316L )  
 Pre Galvanized Steel Plate

### Usage Environment

Recommended	Pre-Gal	EZ	HDG	PC	SS (304L)	SS (316)
Indoor	●	●		●		
Outdoor			●			
Outdoor & Corrosive Environment					●	
Corrosive Environment						●

DIMENSIONS LIST

# STRAIGHT SECTION



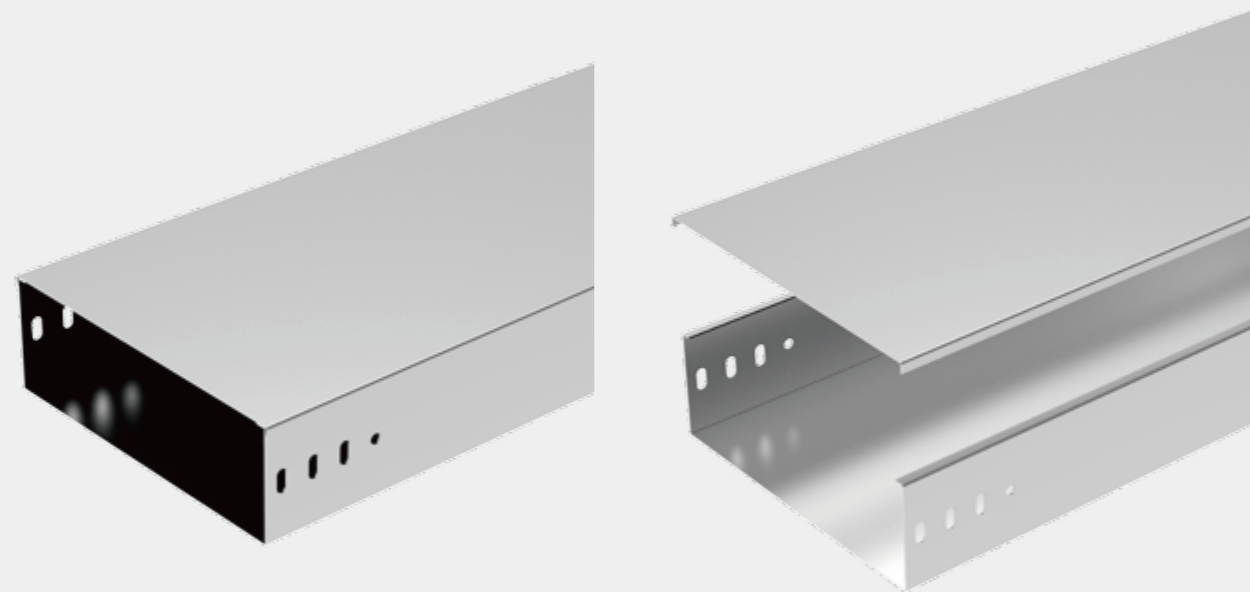
## Technical Specification

ITEM NO	HEIGHT	WIDTH	C COVER
DS01	15	50	No Cover
DS02		75	
DS03		100	
DS04		150	
DS05		225	
DS06		300	
DS07		450	
DS08		600	

■ ALL DIMENSIONS IN MILLIMETERS

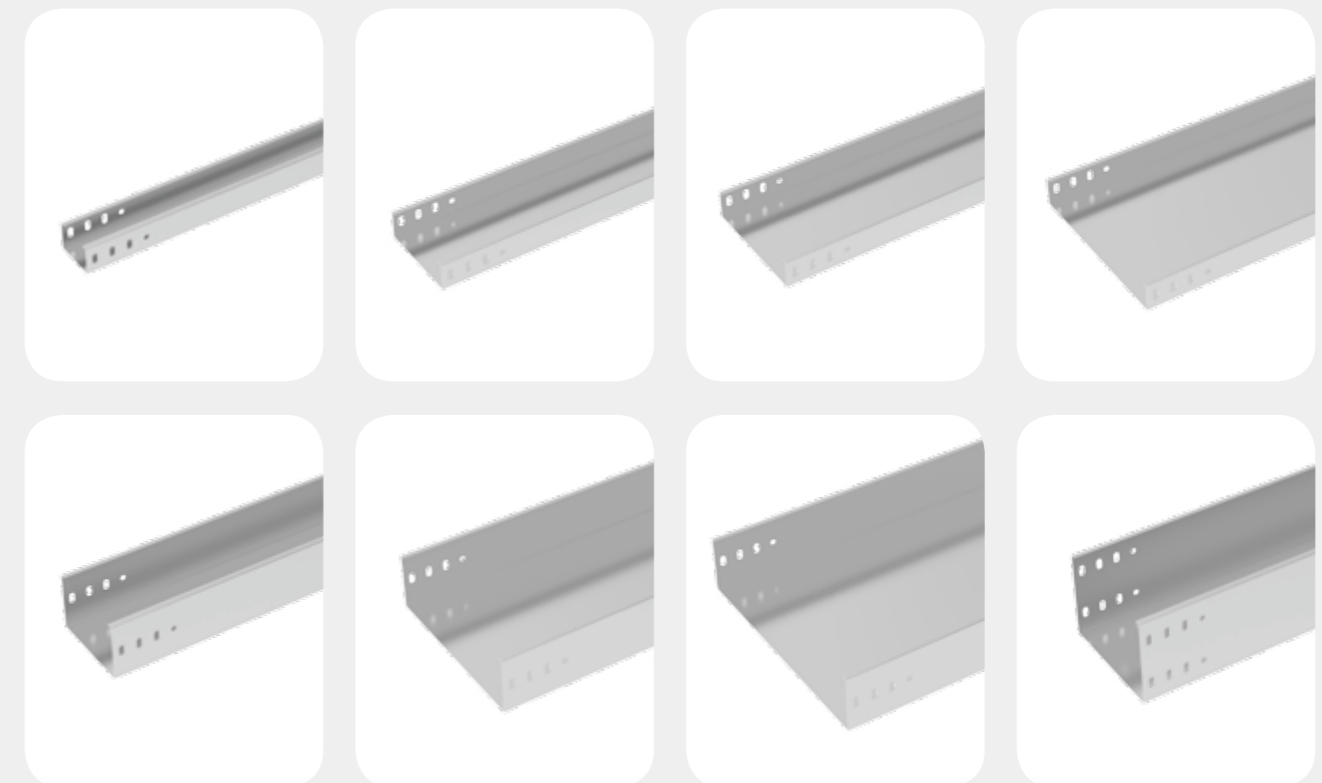


## Product Display



ITEM NO	HEIGHT	WIDTH	C COVER
DS09	30	50	With Cover
DS10		75	
DS11		100	
DS12		150	
DS13		225	
DS14		300	
DS15		450	
DS16		600	
DS17	50	50	
DS18		75	
DS19		100	
DS20		150	
DS21		200	

ITEM NO	HEIGHT	WIDTH	C COVER
DS22	50	225	With Cover
DS23		300	
DS24		450	
DS25		600	
DS26	100	100	
DS27		150	
DS28		200	
DS29		300	
DS30	150	600	
DS31		150	
DS32		200	
DS33		300	
DS34		600	



ACCESSORIES AND FITTINGS

# HORIZONTAL 90° ELBOW



## Technical Specification

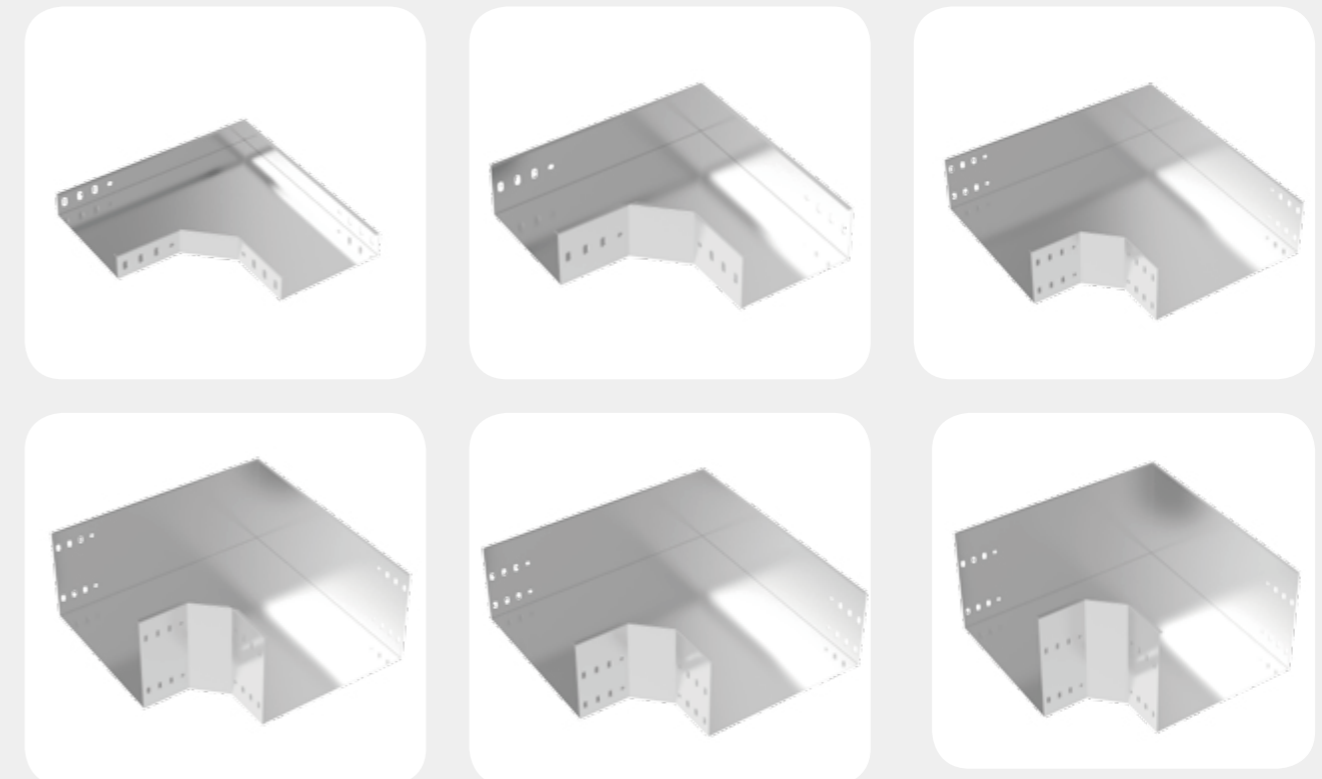
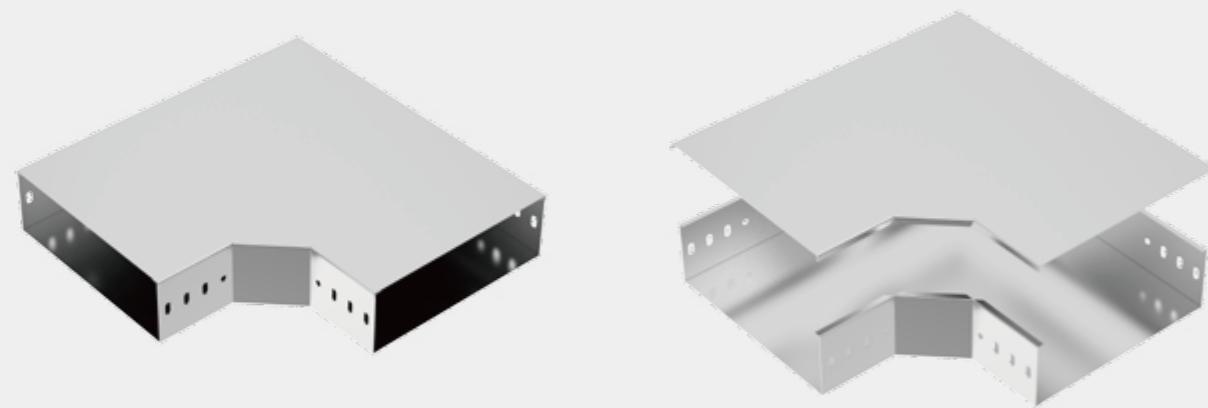
ITEM NO	HEIGHT	WIDTH	A	B	COVER
DF01	15	50	220	220	No Cover
DF02		75	245	245	
DF03		100	270	270	
DF04		150	320	320	
DF05		225	395	395	
DF06		300	470	470	
DF07		450	620	620	
DF08		600	770	770	

ALL DIMENSIONS IN MILLIMETERS

ITEM NO	HEIGHT	WIDTH	A	B	COVER	ITEM NO	HEIGHT	WIDTH	A	B	COVER
DF41	30	50	220	220	With Cover	DF86	50	225	395	395	With Cover
DF42		75	245	245		DF87		300	470	470	
DF43		100	270	270		DF88		450	620	620	
DF44		150	320	320		DF89		600	770	770	
DF45		225	395	395		DF126	100	100	270	270	
DF46		300	470	470		DF127		150	320	320	
DF47		450	620	620		DF128		200	370	370	
DF48		600	770	770		DF129		300	470	470	
DF81	50	50	220	220	DF130	600	770	770			
DF82		75	245	245	DF151	150	150	320	320		
DF83		100	270	270	DF152		200	370	370		
DF84		150	320	320	DF153		300	470	470		
DF85		200	370	370	DF154		600	770	770		



## Product Display



ACCESSORIES AND FITTINGS

# HORIZONTAL CROSS

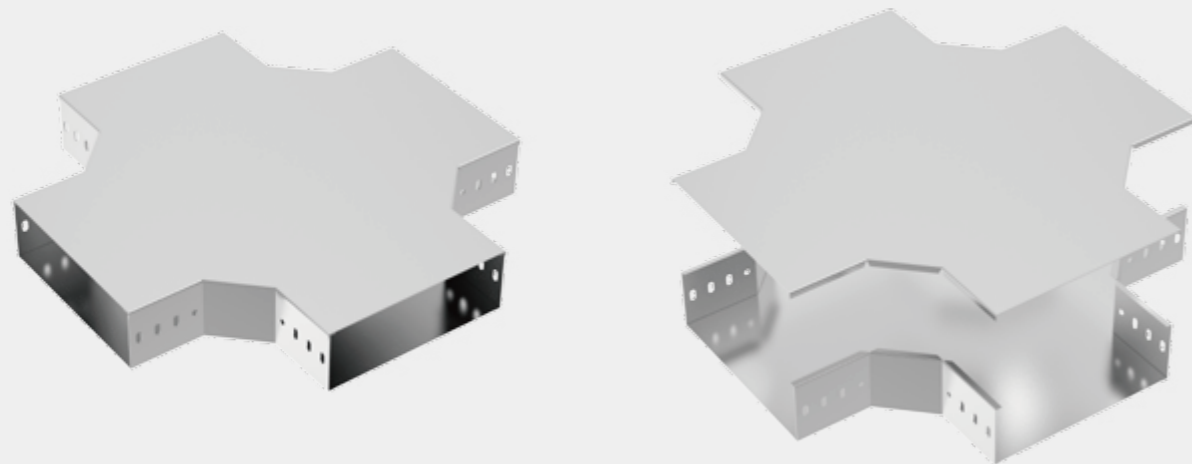


## Technical Specification

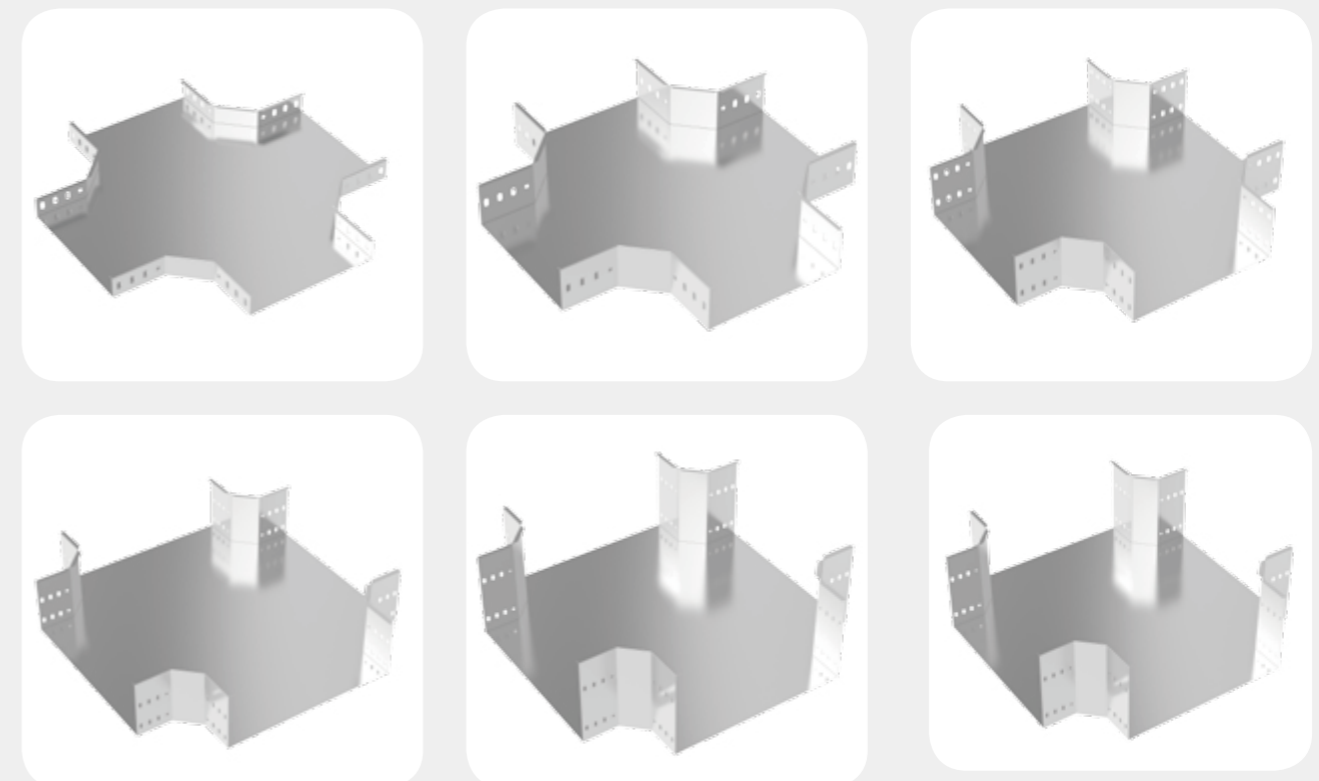
ITEM NO	HEIGHT	WIDTH	A	B	COVER
DF17	15	50	390	390	No Cover
DF18		75	415	415	
DF19		100	440	440	
DF20		150	490	490	
DF21		225	565	565	
DF22		300	640	640	
DF23		450	790	790	
DF24		600	940	940	

ALL DIMENSIONS IN MILLIMETERS

## Product Display



ITEM NO	HEIGHT	WIDTH	A	B	COVER		
DF57	30	50	390	390	With Cover		
DF58		75	415	415			
DF59		100	440	440			
DF60		150	490	490			
DF61		225	565	565			
DF62		300	640	640			
DF63		450	790	790			
DF64		600	940	940			
DF99	50	50	390	390	With Cover		
DF100		75	415	415			
DF101		100	440	440			
DF102		150	490	490			
DF103		200	540	540			
DF104		50	225	565		565	With Cover
DF105			300	640		640	
DF106			450	790		790	
DF107	600		940	940			
DF136	100	100	440	440	With Cover		
DF137		150	490	490			
DF138		200	540	540			
DF139		300	640	640			
DF140	150	600	940	940	With Cover		
DF159		150	490	490			
DF160		200	540	540			
DF161		300	640	640			
DF162	600	940	940				



ACCESSORIES AND FITTINGS

# HORIZONTAL TEE



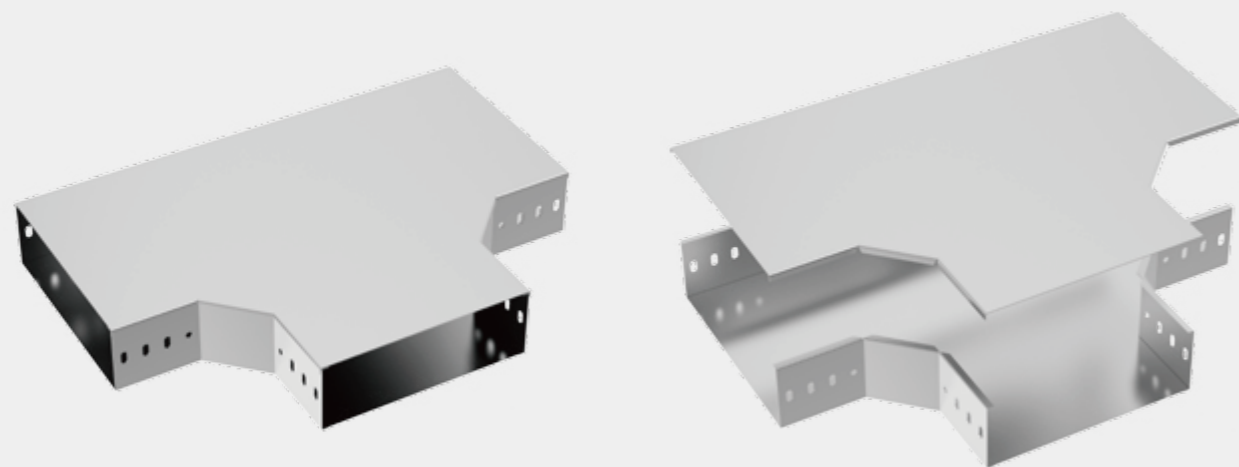
## Technical Specification

ITEM NO	HEIGHT	WIDTH	A	B	C COVER
DF09	15	50	390	220	No Cover
DF10		75	415	245	
DF11		100	440	270	
DF12		150	490	320	
DF13		225	565	430	
DF14		300	640	470	
DF15		450	790	620	
DF16		600	940	770	

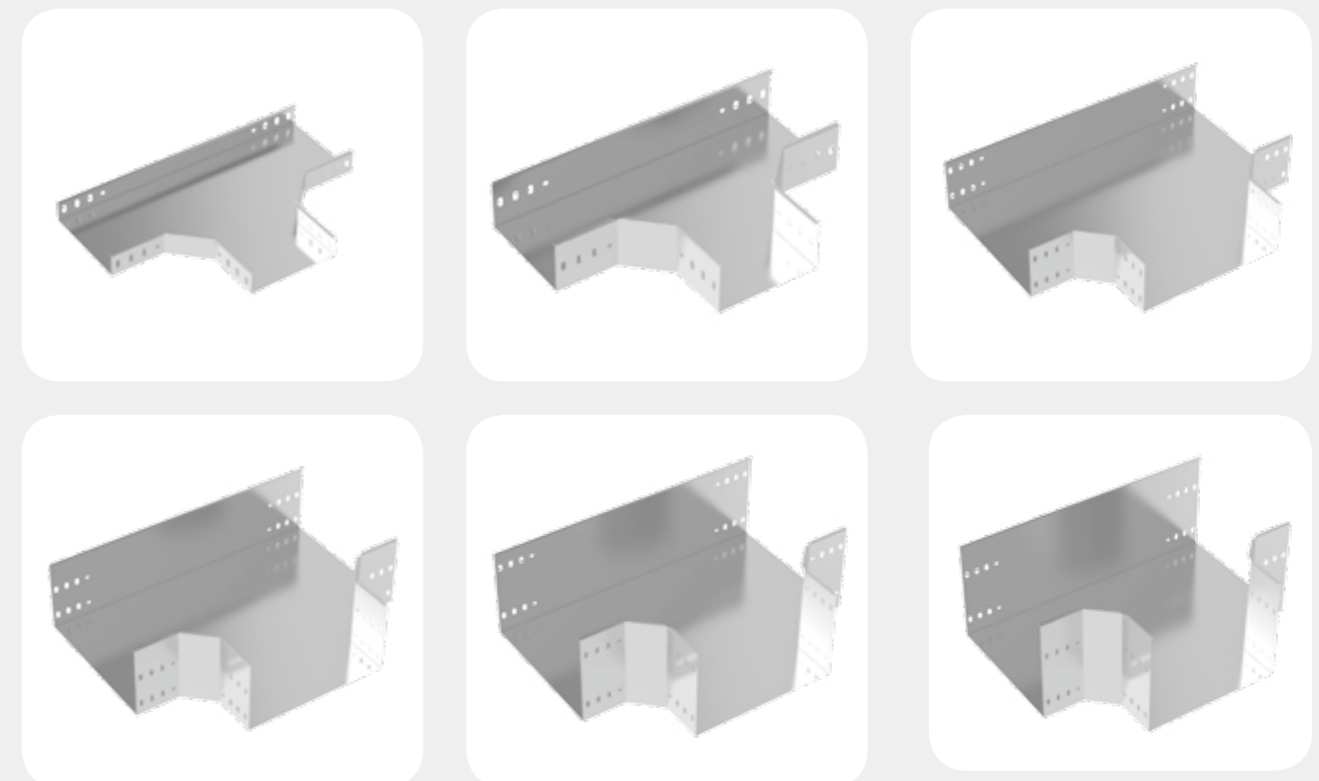
ALL DIMENSIONS IN MILLIMETERS



## Product Display



ITEM NO	HEIGHT	WIDTH	A	B	COVER		
DF49	30	50	390	220	With Cover		
DF50		75	415	245			
DF51		100	440	270			
DF52		150	490	320			
DF53		225	565	430			
DF54		300	640	470			
DF55		450	790	620			
DF56		600	940	770			
DF90	50	50	390	220	With Cover		
DF91		75	415	245			
DF92		100	440	270			
DF93		150	490	320			
DF94		200	540	370			
DF95		50	225	565		430	With Cover
DF96			300	640		470	
DF97			450	790		620	
DF98	600		940	770			
DF131	100	100	440	270	With Cover		
DF132		150	490	320			
DF133		200	540	370			
DF134		300	640	470			
DF135	150	600	940	770	With Cover		
DF155		150	490	320			
DF156		200	540	370			
DF157		300	640	470			
DF158	600	940	770				



ACCESSORIES AND FITTINGS

# VERTICAL TEE



## Technical Specification

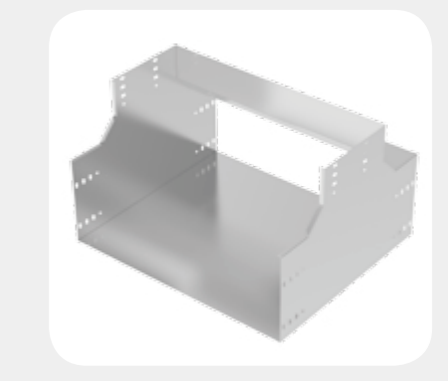
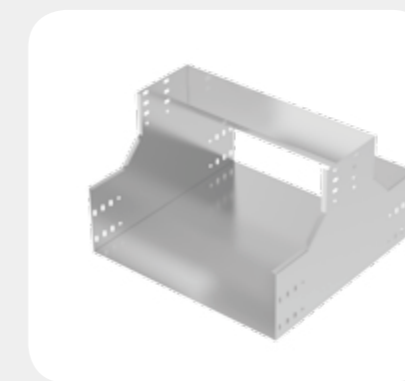
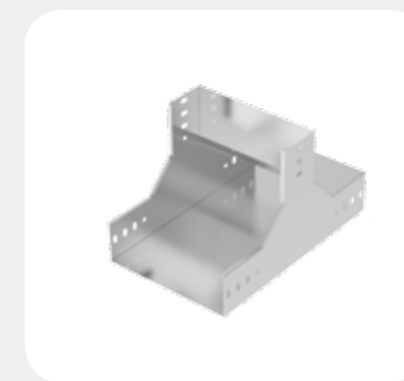
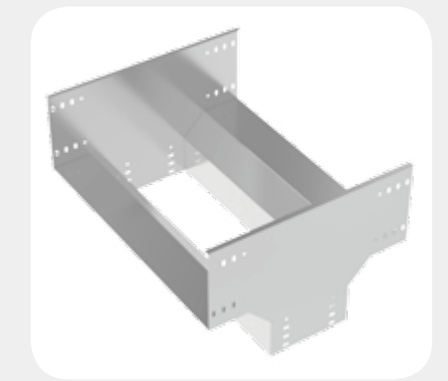
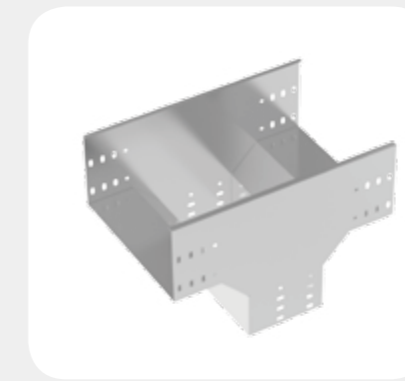
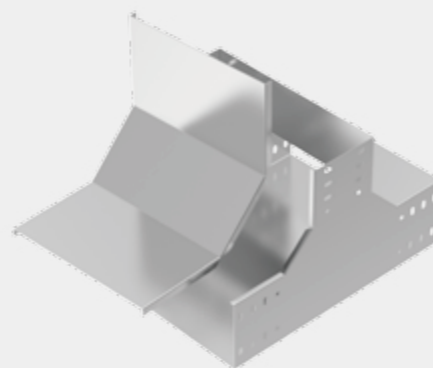
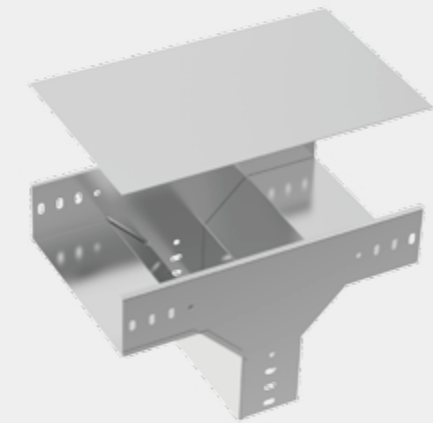
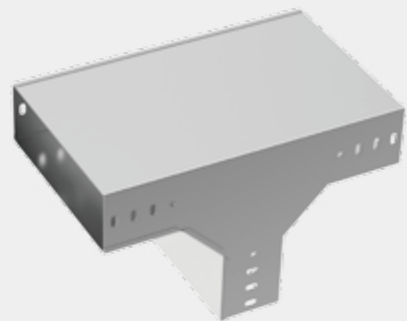
ITEM NO	HEIGHT	WIDTH	A	B	COVER
DF171	30	50	360	195	With Cover
DF172		75			
DF173		100			
DF174		150			
DF175		225			
DF176		300			
DF177		450			
DF178		600			
DF179	50	50	380	215	
DF180		75			
DF181		100			
DF182		150			
DF183		200			

ALL DIMENSIONS IN MILLIMETERS

ITEM NO	HEIGHT	WIDTH	A	B	COVER
DF184	50	225	380	215	With Cover
DF185		300			
DF186		450			
DF187		600			
DF188	100	100	480	290	
DF189		150			
DF190		200			
DF191		300			
DF192		600			
DF193		150			
DF194	200				
DF195	300				
DF196	600				



## Product Display



ACCESSORIES AND FITTINGS

# 90° UP ELBOW



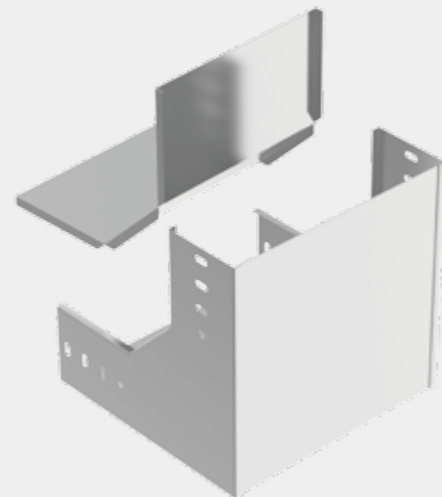
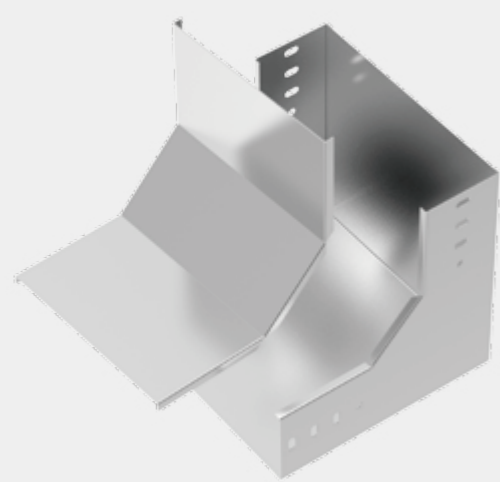
## Technical Specification

ITEM NO	HEIGHT	WIDTH	A	B	COVER
DF33	15	50	188.5	188.5	No Cover
DF34		75			
DF35		100			
DF36		150			
DF37		225			
DF38		300			
DF39		450			
DF40		600			

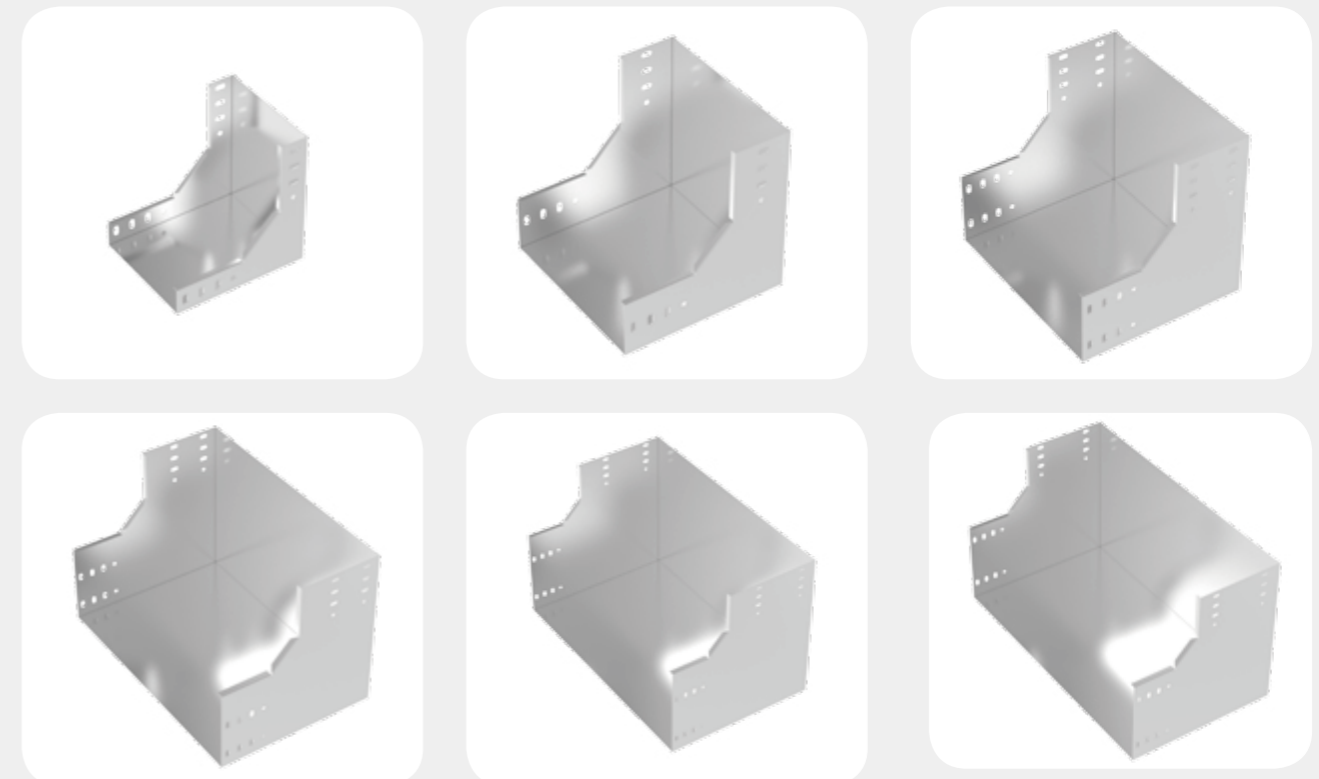
ALL DIMENSIONS IN MILLIMETERS



## Product Display



ITEM NO	HEIGHT	WIDTH	A	B	COVER	ITEM NO	HEIGHT	WIDTH	A	B	COVER THICKNESS
DF73	30	50	188.5	188.5	With Cover	DF122	50	225	188.5	188.5	With Cover
DF74		75				DF123		300			
DF75		100				DF124		450			
DF76		150				DF125	600				
DF77		225				DF146	100	100	288.5	288.5	
DF78		300				DF147	150				
DF79		450				DF148	200				
DF80		600				DF149	300	150	340	288.5	
DF117	50	50	188.5	188.5	DF150	600					
DF118		75			DF167	150					
DF119		100			DF168	200					
DF120		150			DF169	300					
DF121		200			DF170	600					





ACCESSORIES AND FITTINGS

# 90° DOWN ELBOW



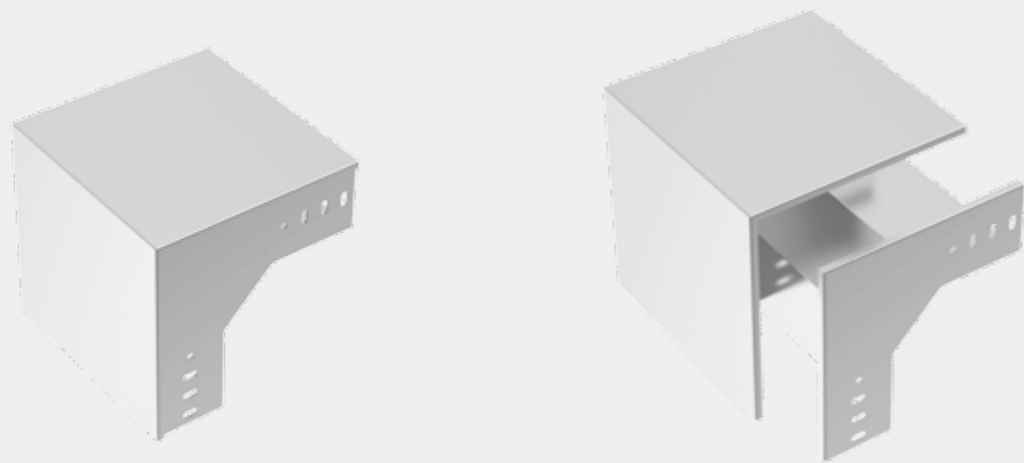
## Technical Specification

ITEM NO	HEIGHT	WIDTH	A	B	COVER
DF25	15	50	205	205	No Cover
DF26		75			
DF27		100			
DF28		150			
DF29		225			
DF30		300			
DF31		450			
DF32		600			

ALL DIMENSIONS IN MILLIMETERS



## Product Display



ITEM NO	HEIGHT	WIDTH	A	B	COVER
DF65	30	50	220	220	With Cover
DF66		75			
DF67		100			
DF68		150			
DF69		225			
DF70		300			
DF71		450			
DF72		600			
DF108	50	50	240	240	With Cover
DF109		75			
DF110		100			
DF111		150			
DF112		200			
DF113		100			
DF114	300				
DF115	450				
DF116	600				
DF141	100				
DF142	150	150	340	340	With Cover
DF143	200				
DF144	300				
DF145	600				
DF163	150	150	340	340	With Cover
DF164		200			
DF165		300			
DF166		600			



ACCESSORIES AND FITTINGS

# REDUCER



## Technical Specification

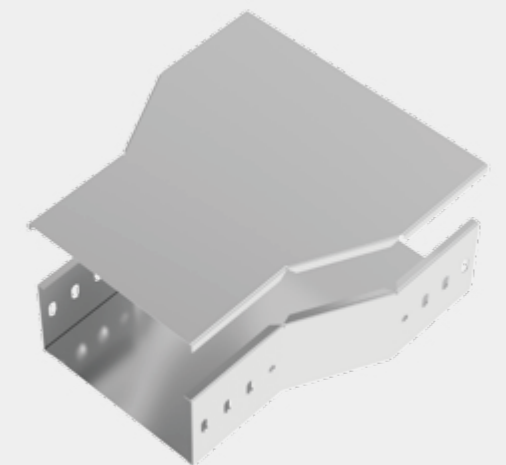
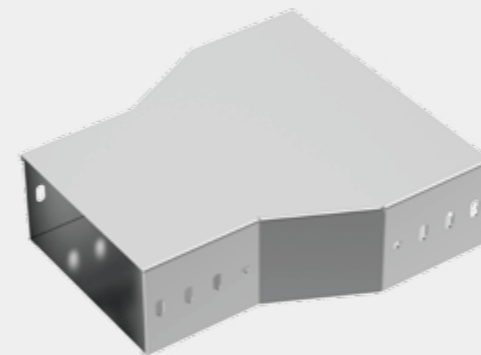
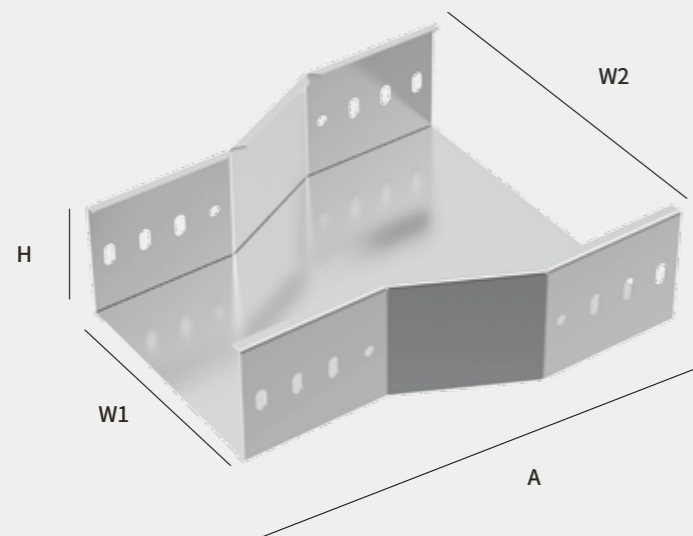
ITEM NO	HEIGHT	WIDTH(W1)	WIDTH (W2)	A	COVER
DF197	50	50	100	340	With Cover
DF198		100	200		
DF199		200	300		
DF200	100	50	100	340	
DF201		100	200		

ALL DIMENSIONS IN MILLIMETERS

ITEM NO	HEIGHT	WIDTH(W1)	WIDTH (W2)	A	COVER
DF202	100	200	300	340	With Cover
DF203		300	400		
DF204		400	600		
DF205	150	200	300	340	
DF206		300	400		
DF207		400	600		



## Product Display










# UNIVERSAL ACCESSORIES

C-SECTION STEEL

# TWIN SCREW HANGER KIT



## Technical Specification

ITEM NAME	IMAGES	ITEM NAME	IMAGES
FLANGE NUT		REINFORCED EXPANSION BOLT	
SCREW		C-C HANNEL CLAMP	
		Ω CEILING BRACKET	



## Product Display

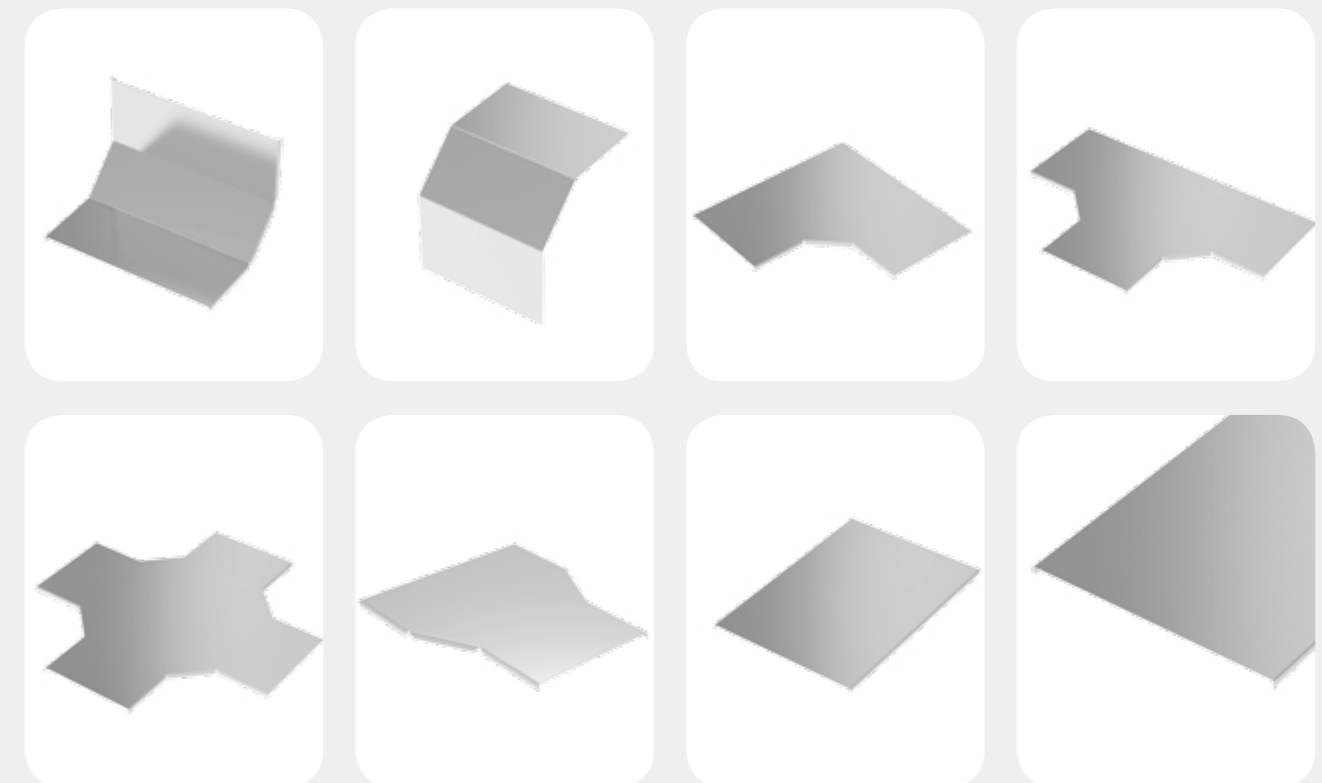


# COVER



## Technical Specification

Item name	Size(mm)	Item name	Size(mm)
Vertical Tee	200	90° Up Elbow	200
	300		300
	400		400
	600		600
	800		800
Cover	200	Horizontal 90° Elbow	200
	300		300
	400		400
	600		600
	800		800
Horizontal Cross	200	Horizontal Tee	200
	300		300
	400		400
	600		600
	800		800
90° down Elbow	200	Reducer	50
	300		100
	400		150
	600		200
	800		

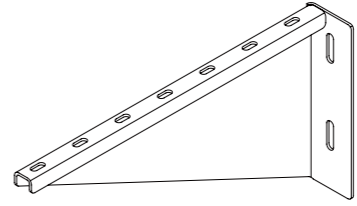
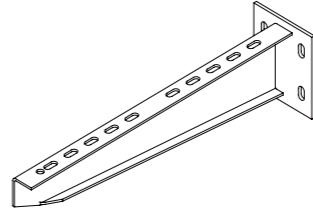
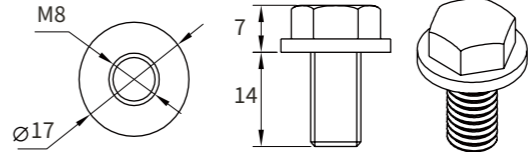
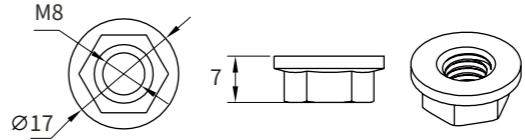


# UNIVERSAL ACCESSORIES



## Technical Specification

ITEM NAME	IMAGES	LONG	WIDTH	HEIGHT
Straight section connetor		185	100	340
Cover clip		35		
		45		
		55		
100 Height Adjustable Connector		137	70	2
Fixed Accesssoies for Hanging Bar		54.5	40	50
		56.5		100

ITEM NAME	IMAGES	DESCRIPT ION
Triangle Strut Bracket		Cross-bar Thickness:2.5mm
Strut Bracket		Support trays on wall fit for with 100-300mm perforated cable tray
T006 M8*18 Flange Screw		S support trays on wall fit for with 100-450mm perforated cable tray
T007 M8 Flange Nut		Used for fastening Side Connector A and Bottom Connector B