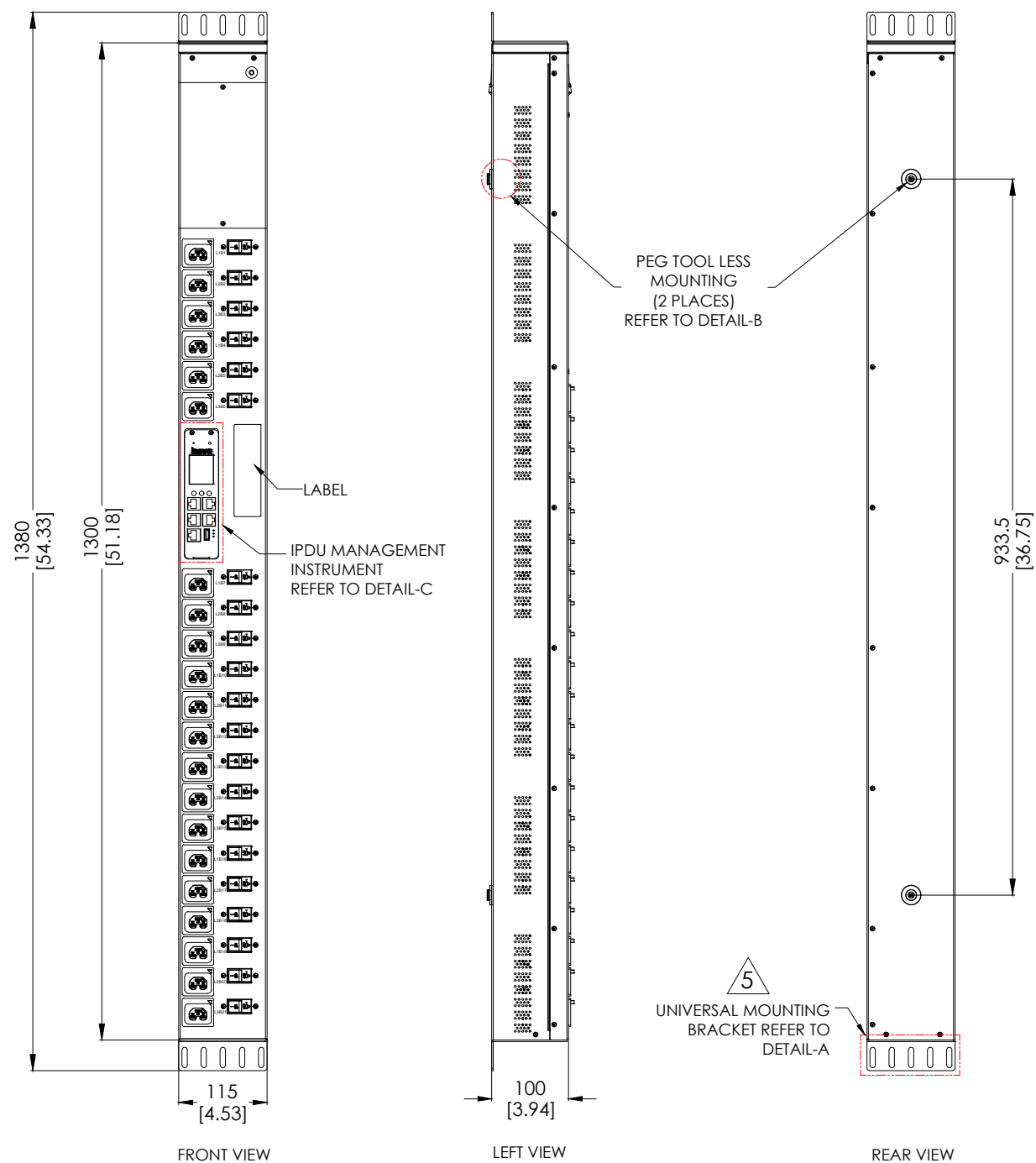
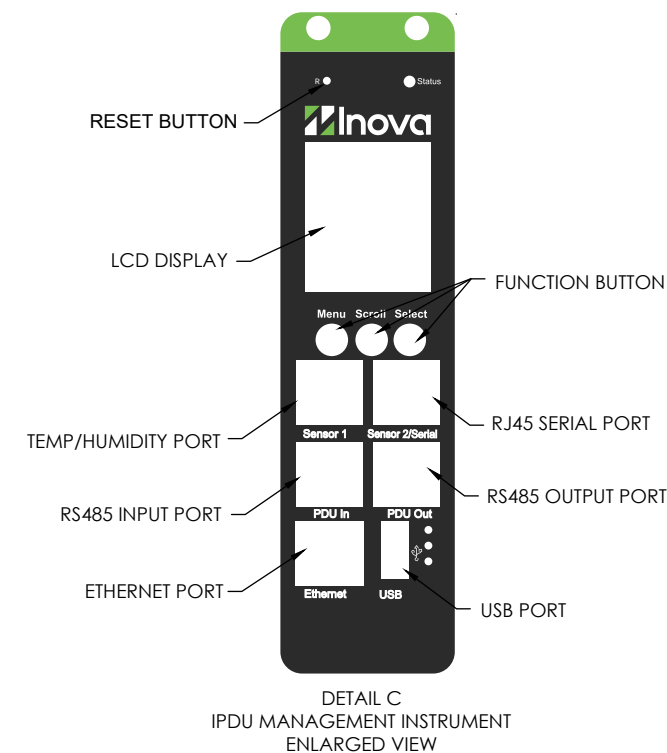
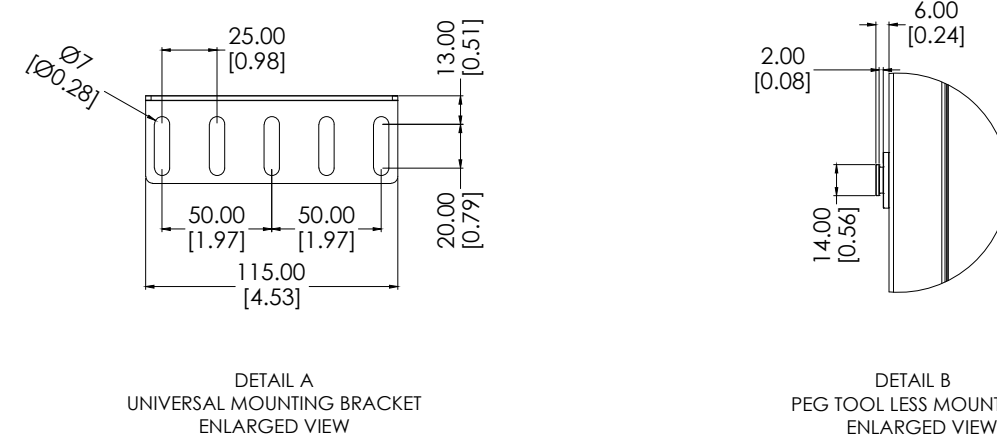


NOTES:

1. INSTALLATION SHALL COMPLY WITH ALL APPLICABLE NATIONAL, STATE AND LOCAL ELECTRICAL CODES.
  2. REFER TO PRODUCT DOCUMENTATION FOR ADDITIONAL DETAILS PRIOR TO INSTALLATION AND PREPARATION WORK.
  3. UNLESS OTHERWISE SPECIFIED, ALL DIMENSIONS ARE IN MILLIMETERS [INCHES].
  4. NET WEIGHT OF UNITE IS 28.66 lb [ 13 kg ].
- ⚠ UNIVERSAL MOUNTING BRACKET IS AN ALTERNATIVE MOUNTING METHOD TO THE TOOL LESS MOUNT FOR 3RD PARTY ENCLOSURES, BRACKET IS PROVIDED WITH THE UNIT.



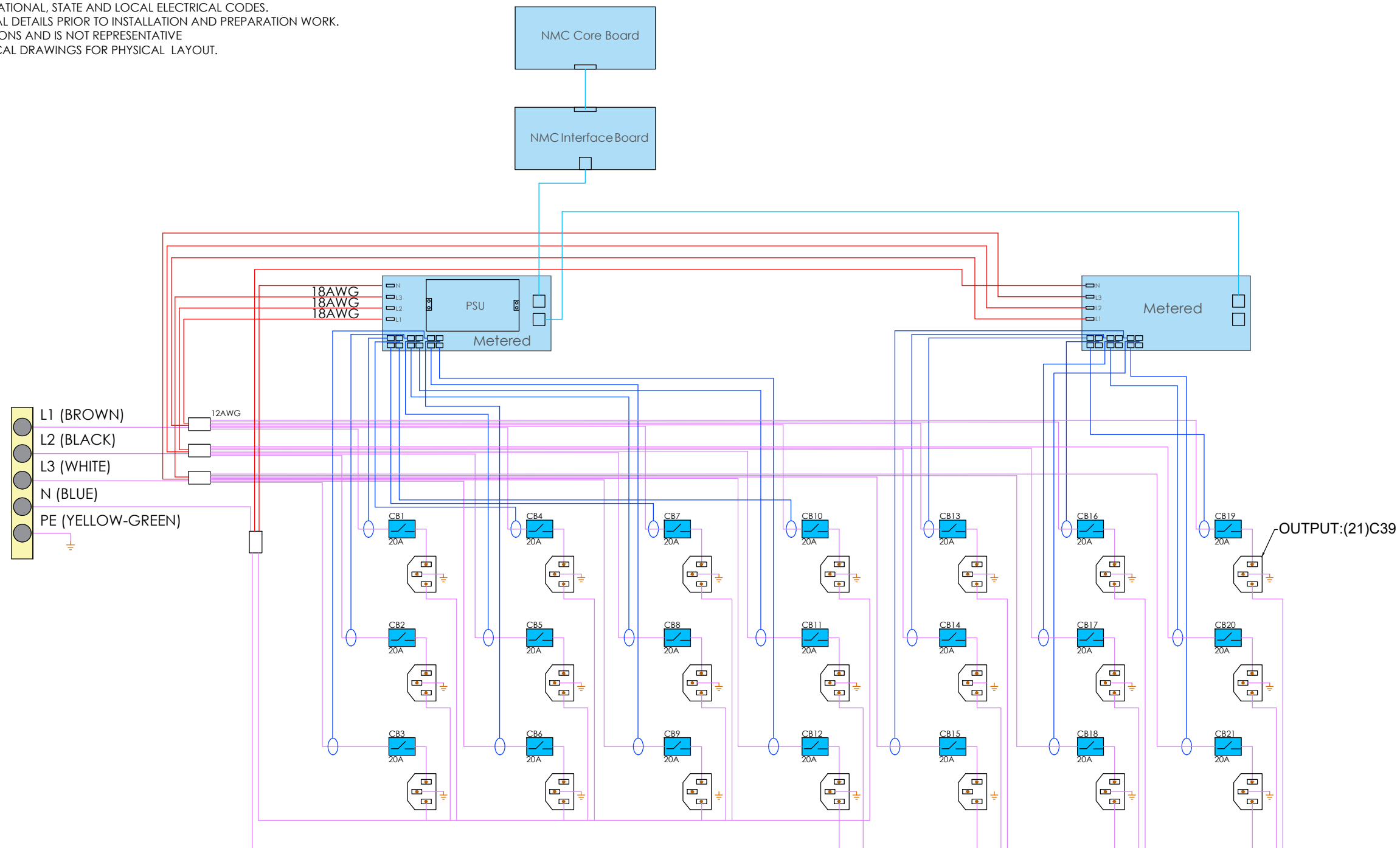
REVISIONS			
REV.	DESCRIPTION	DATE	APPROVED
A	FULL RELEASED	2025.3.12	CT



PROPRIETARY AND CONFIDENTIAL THIS DRAWING AND ITS SPECIFICATIONS ARE THE PROPERTY OF INOVA AND SHALL NOT BE COPIED, REPRODUCED, OR USED IN WHOLE OR IN PART, AS THE BASIS FOR THE MANUFACTURE OR SALE OF ITEMS WITHOUT THE WRITTEN PERMISSION FROM INOVA. THIS DRAWING IS BASED UPON THE LATEST AVAILABLE INFORMATION AND IS SUBJECT TO CHANGE WITHOUT NOTICE.	UNLESS OTHERWISE SPECIFIED $X = \pm 1$ $X.X = \pm 0.5$ $X.XX = \pm 0.30$ $X.XXX = \pm 0.130$ ANGULAR $X = 1^\circ$ $.X = 0.5^\circ$ $.XX = 0.25^\circ$		DESCRIPTION: 200-240/346-415Vac, Max.112A, 3PH, 80.5kW, Rack Mounted Vertical Zero U PDU With 21 x Universal C13/C19. Input Metered Smart With Screen And HTML Interface. Also Daisy Chain Capable Up To 32 Units At A Time. W/O H/T Sensor MATERIAL: N/A FINISH: N/A	DRAWING NO: 112A3PHSLOCKC39X21		REV NO: A
	UNITS: mm [in]			INTERPRET TO ASME Y14.100	DEBURR AND BREAK SHARP EDGES/CONTOURS AT 0.2mm MAX	CLASS: N/A
			DRAWN BY: AMY ZHU DATE: 2025/3/12 APP. BY: JOHAN ZUO DATE: 2025/3/12		COMMENTS:	

NOTES:

1. INSTALLATION SHALL COMPLY WITH ALL APPLICABLE NATIONAL, STATE AND LOCAL ELECTRICAL CODES.
2. REFER TO PRODUCT DOCUMENTATION FOR ADDITIONAL DETAILS PRIOR TO INSTALLATION AND PREPARATION WORK.
3. THIS DRAWING DEPICTS THE POWER SYSTEM CONNECTIONS AND IS NOT REPRESENTATIVE OF THE PHYSICAL LAYOUT. PLEASE REFER TO MECHANICAL DRAWINGS FOR PHYSICAL LAYOUT.



PROPRIETARY AND CONFIDENTIAL  
 THIS DRAWING AND ITS SPECIFICATIONS ARE THE PROPERTY OF INOVA AND SHALL NOT BE COPIED, REPRODUCED, OR USED IN WHOLE OR IN PART, AS THE BASIS FOR THE MANUFACTURE OR SALE OF ITEMS WITHOUT THE WRITTEN PERMISSION FROM INOVA. THIS DRAWING IS BASED UPON THE LATEST AVAILABLE INFORMATION AND IS SUBJECT TO CHANGE WITHOUT NOTICE.

UNLESS OTHERWISE SPECIFIED  
 X = ± 1  
 X.X = ± 0.5  
 X.XX = ± 0.30  
 X.XXX = ± 0.130  
 ANGULAR  
 X = 1°  
 .X = 0.5°  
 .XX = 0.25°

UNITS: mm [in]



DESCRIPTION:  
 200-240/346-415Vac, Max.112A, 3PH, 80.5kW, Rack Mounted Vertical Zero U PDU With 21 x Universal C13/C19. Input Metered Smart With Screen And HTML Interface. Also Daisy Chain Capable Up To 32 Units At A Time. W/O H/T Sensor

MATERIAL: N/A FINISH: N/A

DEBURR AND BREAK SHARP EDGES/CONTOURS AT 0.2mm MAX

DRAWING NO: 112A3PHSLOCKC39X21		REV NO: A
NAME		DATE
DRAWN BY AMY ZHU		2025/3/12
APP. BY JOHAN ZUO		2025/3/12
SCALE: N/A	WEIGHT:	SHEET: 2 OF 2

INTERPRET TO ASME Y14.100

CLASS: N/A