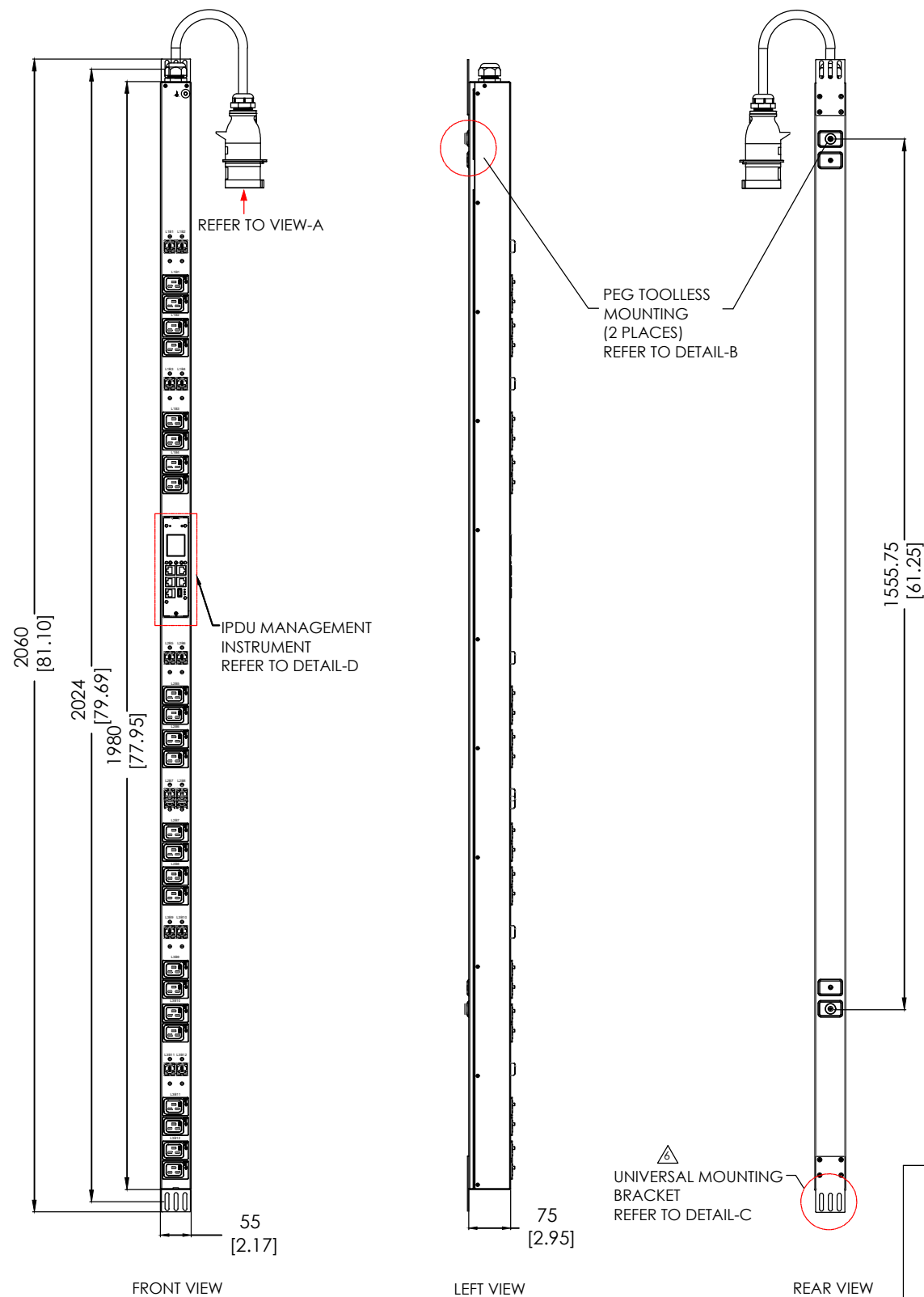
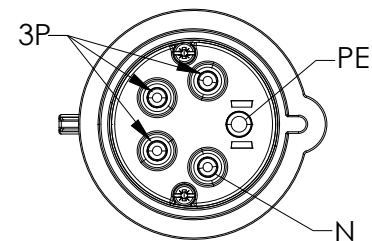


NOTES:

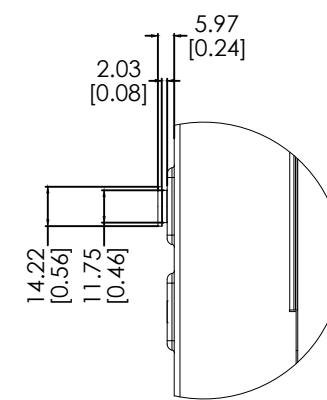
1. INSTALLATION SHALL COMPLY WITH ALL APPLICABLE NATIONAL, STATE AND LOCAL ELECTRICAL CODES.
 2. REFER TO PRODUCT DOCUMENTATION FOR ADDITIONAL DETAILS PRIOR TO INSTALLATION AND PREPARATION WORK.
 3. UNLESS OTHERWISE SPECIFIED, ALL DIMENSIONS ARE IN MILLIMETERS [INCHES].
 4. NET WEIGHT OF UNIT IS 17.0 kg [37.48lb].
 5. LENGTH OF THE CORD IS 3000 mm [118 inches].
- ⚠ UNIVERSAL MOUNTING BRACKET IS AN ALTERNATIVE MOUNTING METHOD TO THE TOOLLESS MOUNT FOR 3RD PARTY ENCLOSURES. BRACKET IS PROVIDED WITH THE UNIT.



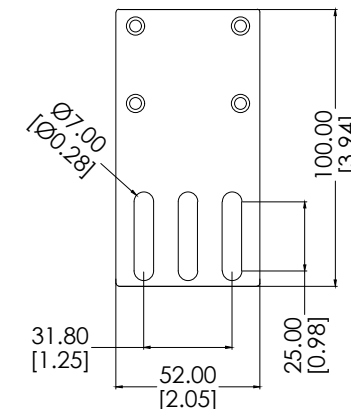
REVISIONS			
REV.	DESCRIPTION	DATE	APPROVED
A	FULL RELEASED	2025.3.12	CT



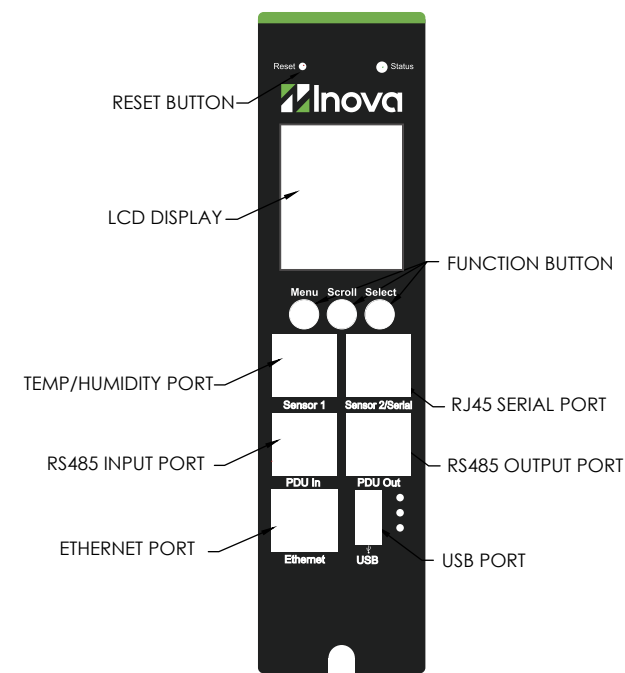
VIEW A
IEC 309 63A
3P+N+PE PLUG
ENLARGED VIEW



DETAIL B
PEG TOOLLESS MOUNTING
ENLARGED VIEW



DETAIL C
UNIVERSAL MOUNTING BRACKET
ENLARGED VIEW



DETAIL D
IPDU MANAGEMENT INSTRUMENT
ENLARGED VIEW

PROPRIETARY AND CONFIDENTIAL
THIS DRAWING AND ITS SPECIFICATIONS ARE THE PROPERTY OF INOVA AND SHALL NOT BE COPIED, REPRODUCED, OR USED IN WHOLE OR IN PART, AS THE BASIS FOR THE MANUFACTURE OR SALE OF ITEMS WITHOUT THE WRITTEN PERMISSION FROM INOVA. THIS DRAWING IS BASED UPON THE LATEST AVAILABLE INFORMATION AND IS SUBJECT TO CHANGE WITHOUT NOTICE.

UNLESS OTHERWISE SPECIFIED

- X = ± 1
- X.X = ± 0.5
- X.XX = ± 0.30
- X.XXX = ± 0.130
- ANGULAR
- X = 1°
- .X = 0.5°
- .XX = 0.25°

UNITS: mm [in]



DESCRIPTION:
INOVA3P-63A-24C19 24 x C19 Connectors
3m tails IEC 309 plug

MATERIAL: N/A FINISH: N/A

DEBURR AND BREAK SHARP EDGES/CONTOURS AT 0.2mm MAX

DRAWING NO:
INOVA3P-63A-24C19

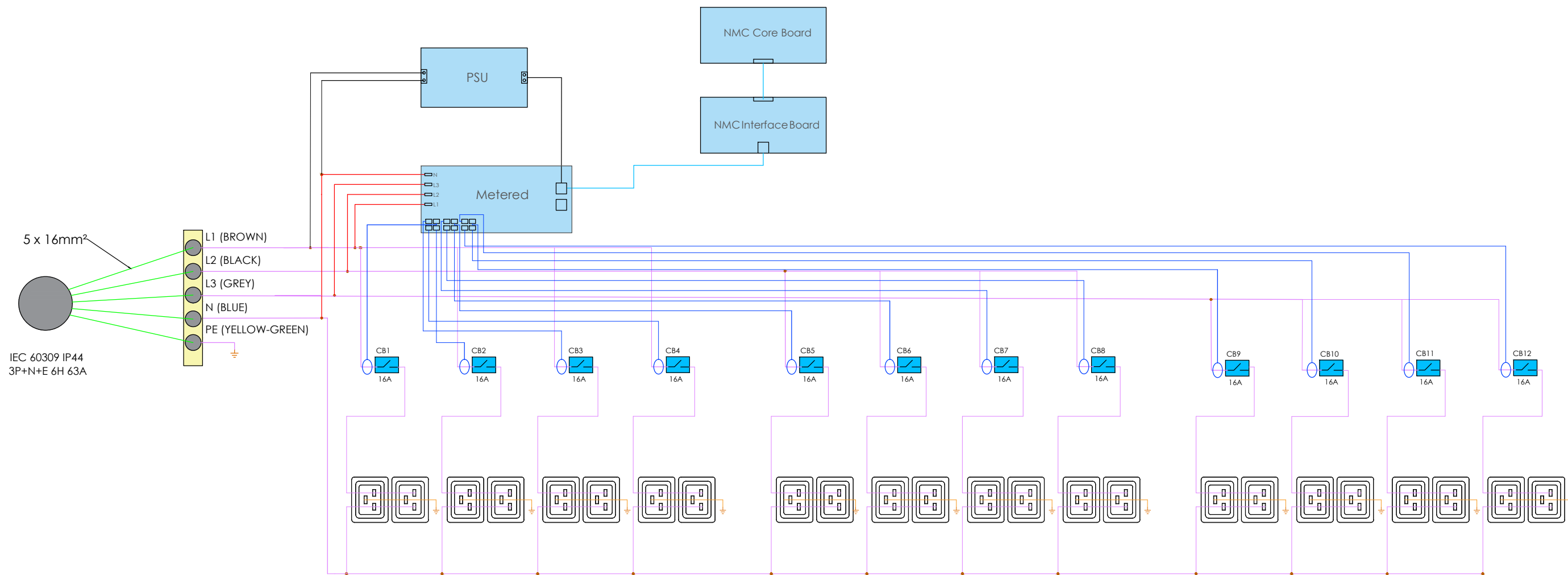
NAME	DATE	COMMENTS:
DRAWN BY: AMY ZHU	2025/3/12	
APP. BY: JOHAN ZUO	2025/3/12	

CLASS: N/A SCALE: N/A WEIGHT: SHEET: 1 OF 2

INTERPRET TO ASME Y14.100

NOTES:

1. INSTALLATION SHALL COMPLY WITH ALL APPLICABLE NATIONAL, STATE AND LOCAL ELECTRICAL CODES.
2. REFER TO PRODUCT DOCUMENTATION FOR ADDITIONAL DETAILS PRIOR TO INSTALLATION AND PREPARATION WORK.
3. THIS DRAWING DEPICTS THE POWER SYSTEM CONNECTIONS AND IS NOT REPRESENTATIVE OF THE PHYSICAL LAYOUT. PLEASE REFER TO MECHANICAL DRAWINGS FOR PHYSICAL LAYOUT.



PROPRIETARY AND CONFIDENTIAL THIS DRAWING AND ITS SPECIFICATIONS ARE THE PROPERTY OF INOVA AND SHALL NOT BE COPIED, REPRODUCED, OR USED IN WHOLE OR IN PART, AS THE BASIS FOR THE MANUFACTURE OR SALE OF ITEMS WITHOUT THE WRITTEN PERMISSION FROM INOVA. THIS DRAWING IS BASED UPON THE LATEST AVAILABLE INFORMATION AND IS SUBJECT TO CHANGE WITHOUT NOTICE.	UNLESS OTHERWISE SPECIFIED $X = \pm 1$ $X.X = \pm 0.5$ $X.XX = \pm 0.30$ $X.XXX = \pm 0.130$ ANGULAR $X = 1^\circ$ $.X = 0.5^\circ$ $.XX = 0.25^\circ$		DESCRIPTION: INOVA3P-63A-24C19 24 x C19 Connectors 3m tails IEC 309 plug	DRAWING NO: INOVA3P-63A-24C19		REV NO: A	
	MATERIAL: N/A		FINISH: N/A	DRAWN BY AMY ZHU	DATE 2025/3/12	COMMENTS:	
	DEBURR AND BREAK SHARP EDGES/CONTOURS AT 0.2mm MAX		CLASS: N/A	APP. BY JOHAN ZUO	DATE 2025/3/12	SCALE: N/A	WEIGHT:
UNITS: mm [in]		INTERPRET TO ASME Y14.100					