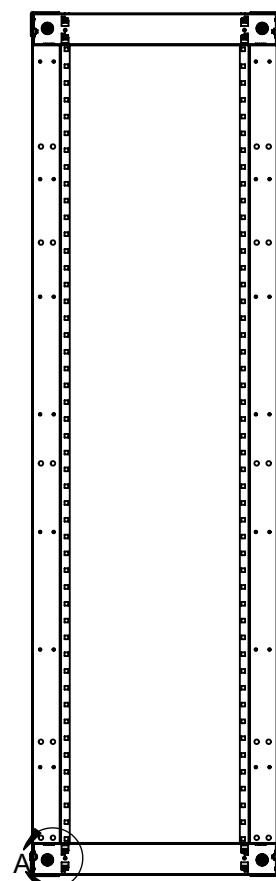
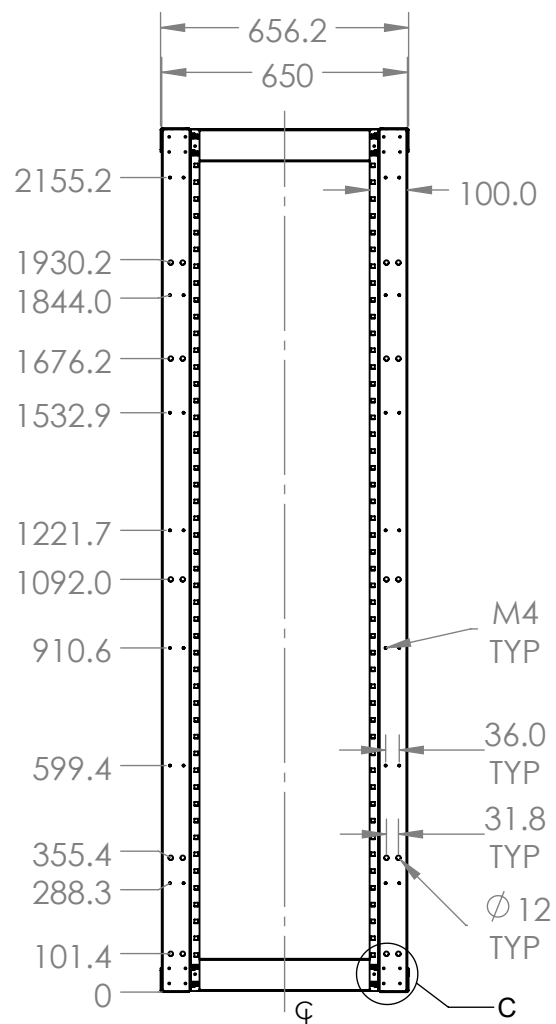
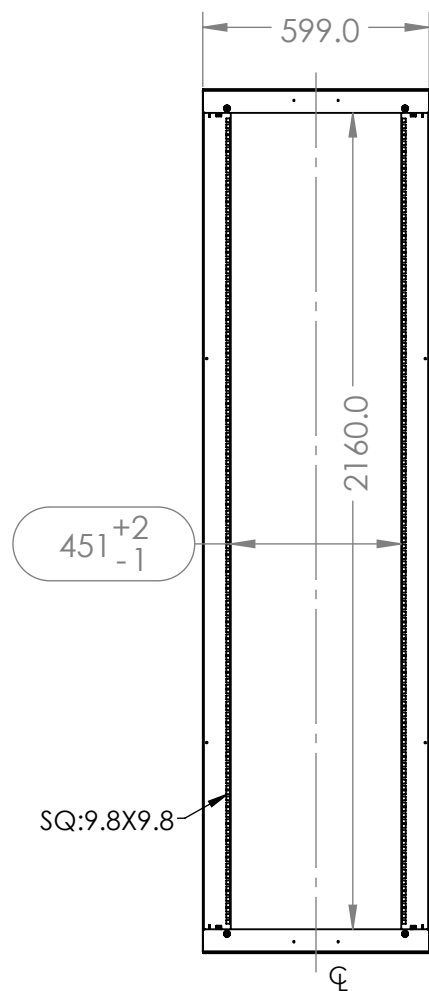
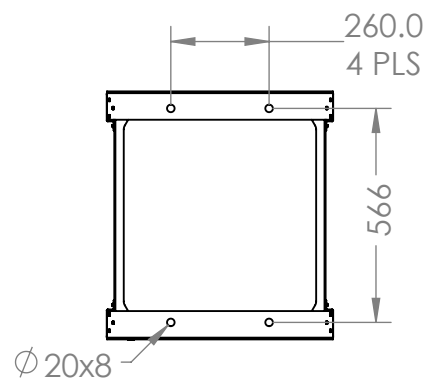
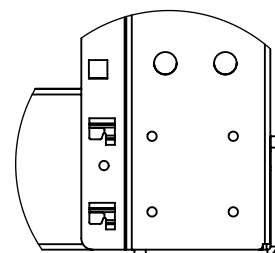
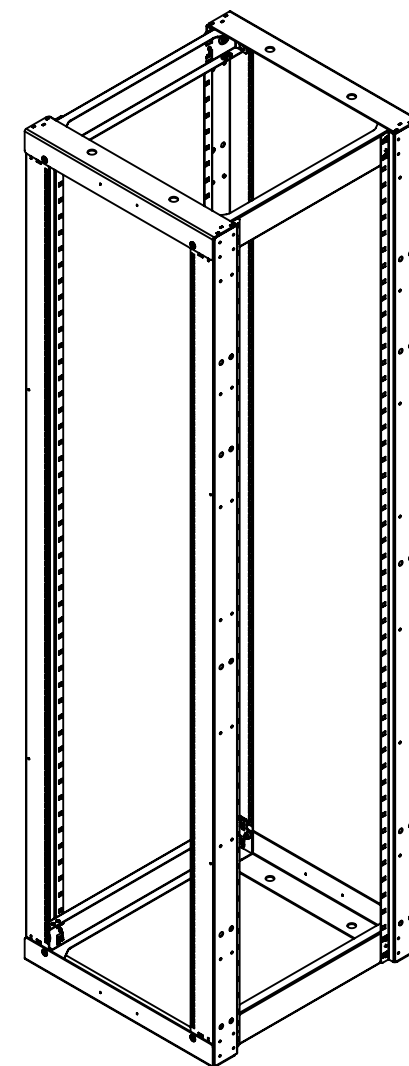


NOTES:

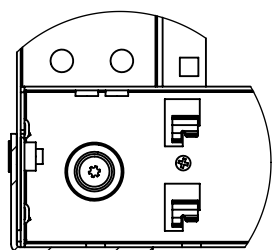
REVISIONS			
REV.	DESCRIPTION	DATE	APPROVED
A	FULL RELEASED	2023/11/22	CT



SECTIONAL VIEW B-B



DETAIL C
SCALE 1 : 4



DETAIL A
SCALE 1 : 4

PROPRIETARY AND CONFIDENTIAL

THIS DRAWING AND ITS SPECIFICATIONS ARE THE PROPERTY OF INOVA AND SHALL NOT BE COPIED, REPRODUCED, OR USED IN WHOLE OR IN PART, AS THE BASIS FOR THE MANUFACTURE OR SALE OF ITEMS WITHOUT THE WRITTEN PERMISSION FROM INOVA. THIS DRAWING IS BASED UPON THE LATEST AVAILABLE INFORMATION AND IS SUBJECT TO CHANGE WITHOUT NOTICE.

UNLESS OTHERWISE SPECIFIED

- X = ± 1
- X.X = ± 0.5
- X.XX = ± 0.30
- X.XXX = ± 0.130
- ANGULAR
- X = 1°
- .X = 0.5°
- .XX = 0.25°



INTERPRET TO ASME Y14.100

DESCRIPTION:
INOVA, 4 POST OPEN FRAME
RACK, SQUARE MOUNTING HOLES,
19" RACK-MOUNT, 23.6"W (599MM)
X 25.8"D (656MM) X 48U, BLACK

MATERIAL: 2.0MM&3.0MM CRS FINISH: RAL 9005 TEXTURE

DEBURR AND BREAK SHARP EDGES/CONTOURS AT 0.2mm MAX

CLASS: N/A

DRAWING NO:
INV03-F4826BSM60

NAME	DATE
DRAWN BY: AMY ZHU	2023/11/22
APP. BY: SAM DING	2023/11/22

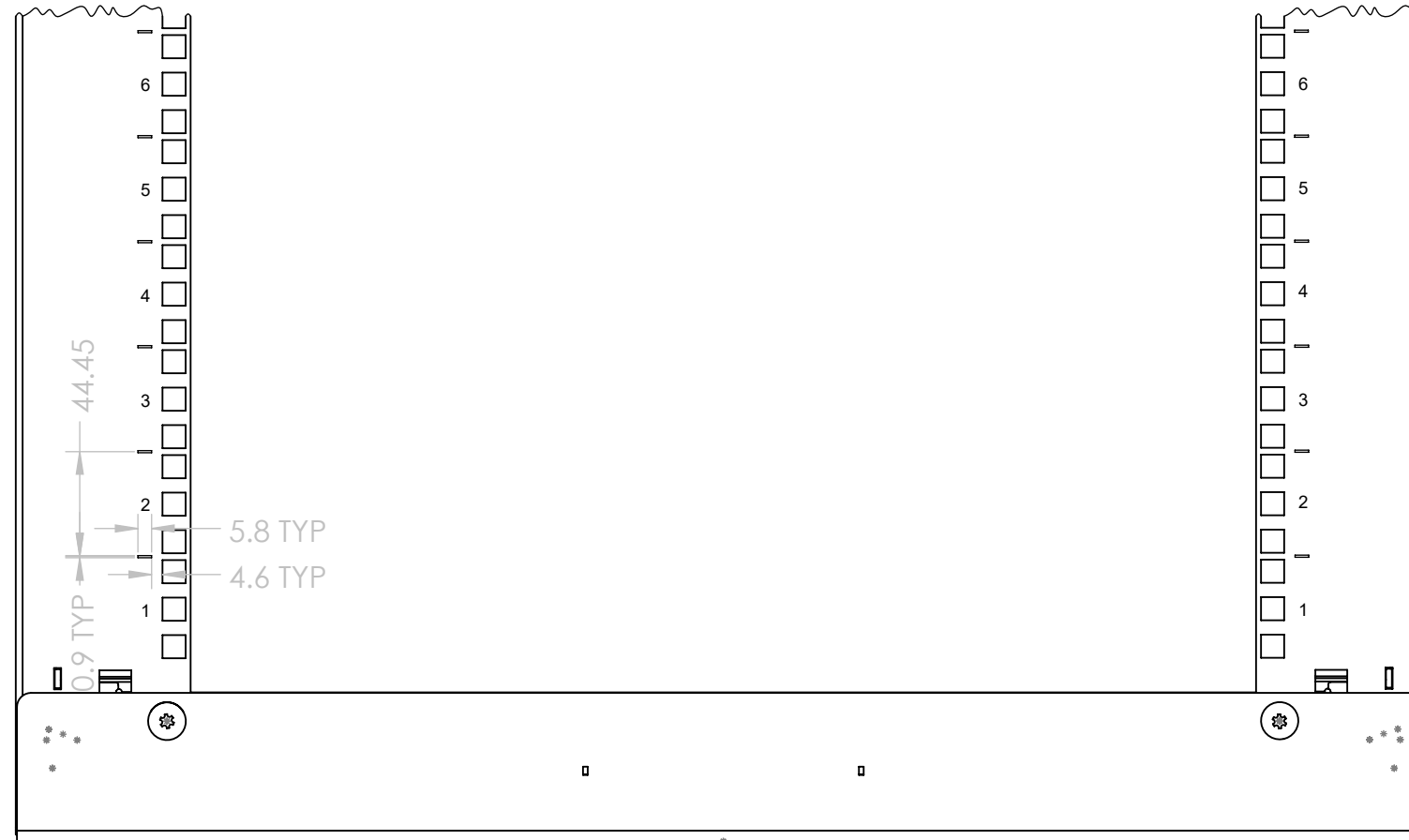
REV NO:
A
SIZE:
B

COMMENTS:

SCALE: 1:20 WEIGHT: SHEET: 1 OF 2

NOTES:

THE FONT TO BE USED IS ARIAL, WITH THE CHARACTER HEIGHT OF 5mm AND THE CHARACTER SPACING OF 44.45mm VERTICALLY.



PROPRIETARY AND CONFIDENTIAL

THIS DRAWING AND ITS SPECIFICATIONS ARE THE PROPERTY OF INOVA AND SHALL NOT BE COPIED, REPRODUCED, OR USED IN WHOLE OR IN PART, AS THE BASIS FOR THE MANUFACTURE OR SALE OF ITEMS WITHOUT THE WRITTEN PERMISSION FROM INOVA. THIS DRAWING IS BASED UPON THE LATEST AVAILABLE INFORMATION AND IS SUBJECT TO CHANGE WITHOUT NOTICE.

UNLESS OTHERWISE SPECIFIED

X = ± 1
 X.X = ± 0.5
 X.XX = ± 0.30
 X.XXX = ± 0.130
 ANGULAR
 X = 1°
 .X = 0.5°
 .XX = 0.25°



INTERPRET TO ASME Y14.100

DESCRIPTION:
 INOVA, 4 POST OPEN FRAME RACK,
 SQUARE MOUNTING HOLES, 19"
 RACK-MOUNT, 23.6"W (599MM)
 X25.8"D (656MM) X 48U, BLACK

MATERIAL: 2.0MM&3.0MM CRS FINISH: RAL 9005 TEXTURE

DEBURR AND BREAK SHARP EDGES/CONTOURS AT 0.2mm MAX CLASS: N/A

DRAWING NO: INV03-F4826BSM60 REV NO: A
 SIZE: B

NAME	DATE	COMMENTS:
DRAWN BY: AMY ZHU	2023/11/22	
APP. BY: SAM DING	2023/11/22	

SCALE: 1:20 WEIGHT: SHEET: 2 OF 2