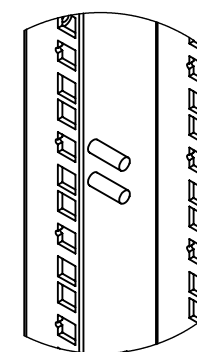
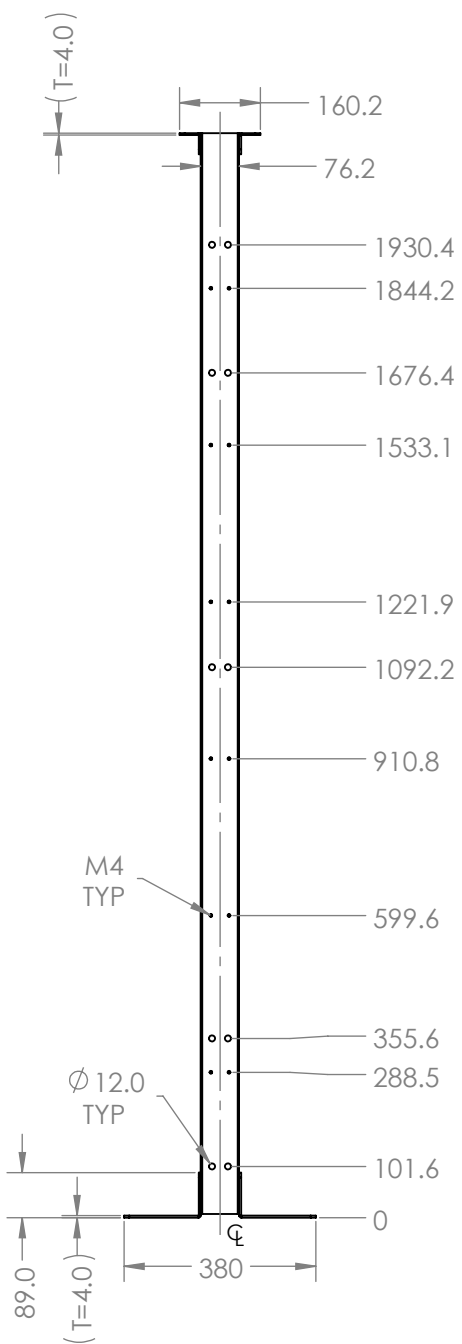
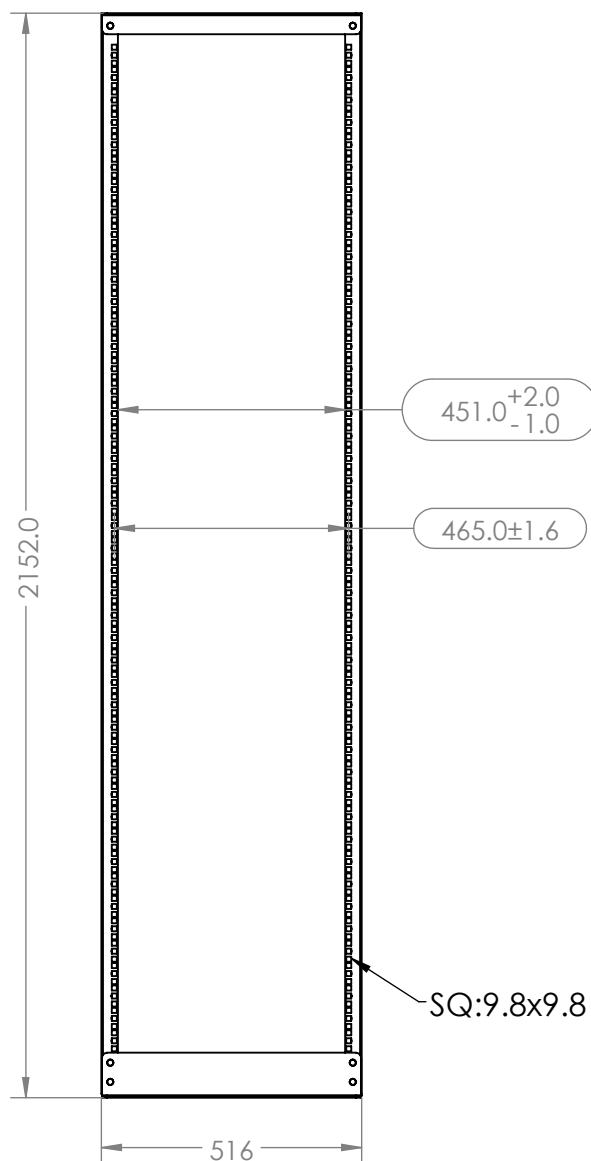
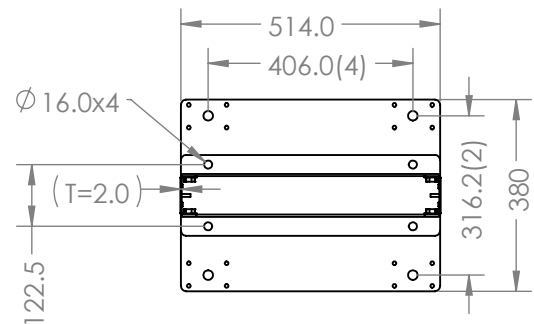
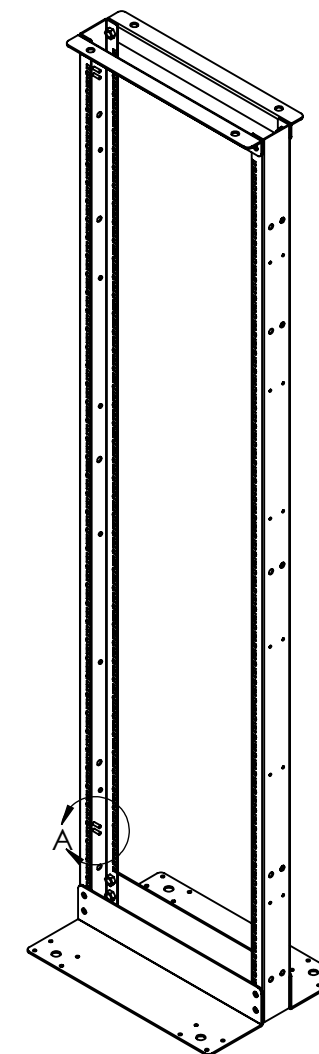


NOTES:



GROUNDING
DETAIL A
SCALE 1 : 3



REVISIONS			
REV.	DESCRIPTION	DATE	APPROVED
A	FULL RELEASED	2023/11/23	CT

PROPRIETARY AND CONFIDENTIAL

THIS DRAWING AND ITS SPECIFICATIONS ARE THE PROPERTY OF INOVA AND SHALL NOT BE COPIED, REPRODUCED, OR USED IN WHOLE OR IN PART, AS THE BASIS FOR THE MANUFACTURE OR SALE OF ITEMS WITHOUT THE WRITTEN PERMISSION FROM INOVA. THIS DRAWING IS BASED UPON THE LATEST AVAILABLE INFORMATION AND IS SUBJECT TO CHANGE WITHOUT NOTICE.

UNLESS OTHERWISE SPECIFIED

X = ± 1
 X.X = ± 0.5
 X.XX = ± 0.30
 X.XXX = ± 0.130
 ANGULAR
 X = 1°
 .X = 0.5°
 .XX = 0.25°



INTERPRET TO ASME Y14.100

DESCRIPTION:
 INOVA, 2 POST, STANDARD 19"
 WIDE, 45U WITH SQUARE HOLES,
 BLACK

MATERIAL: CRS FINISH: RAL 9005 TEXTURE

DEBURR AND BREAK SHARP EDGES/CONTOURS AT 0.2mm MAX CLASS: N/A

DRAWING NO:
 INV03-
 T4503BSM60

REV NO:
 A
 SIZE:
 B

NAME	DATE	COMMENTS:
DRAWN BY: AMY ZHU	2023/11/23	
APP. BY: SAM DING	2023/11/23	
SCALE: 1:15	WEIGHT:	SHEET: 1 OF 2

NOTES:

THE FONT TO BE USED IS ARIAL, WITH THE CHARACTER HEIGHT OF 5mm AND THE CHARACTER SPACING OF 44.45mm VERTICALLY.



PROPRIETARY AND CONFIDENTIAL
 THIS DRAWING AND ITS SPECIFICATIONS ARE THE PROPERTY OF INOVA AND SHALL NOT BE COPIED, REPRODUCED, OR USED IN WHOLE OR IN PART, AS THE BASIS FOR THE MANUFACTURE OR SALE OF ITEMS WITHOUT THE WRITTEN PERMISSION FROM INOVA. THIS DRAWING IS BASED UPON THE LATEST AVAILABLE INFORMATION AND IS SUBJECT TO CHANGE WITHOUT NOTICE.

UNLESS OTHERWISE SPECIFIED
 X = ± 1
 X.X = ± 0.5
 X.XX = ± 0.30
 X.XXX = ± 0.130
 ANGULAR
 X = 1°
 .X = 0.5°
 .XX = 0.25°



UNITS: mm [in]



INTERPRET TO ASME Y14.100

DESCRIPTION:
 INOVA, 2 POST, STANDARD 19" WIDE, 45U WITH SQUARE HOLES, BLACK

MATERIAL: CRS FINISH: RAL 9005 TEXTURE
 DEBURR AND BREAK SHARP EDGES/CONTOURS AT 0.2mm MAX CLASS:

DRAWING NO: INV03-T4503BSM60		REV NO: A
NAME		DATE
DRAWN BY AMY ZHU		2023/11/23
APP. BY SAM DING		2023/11/23
SCALE: 1:15	WEIGHT:	SHEET: 2 OF 2

E
D
C
B
A

E
D
C
B
A

8 7 6 5 4 3 2 1

8 7 6 5 4 3 2 1