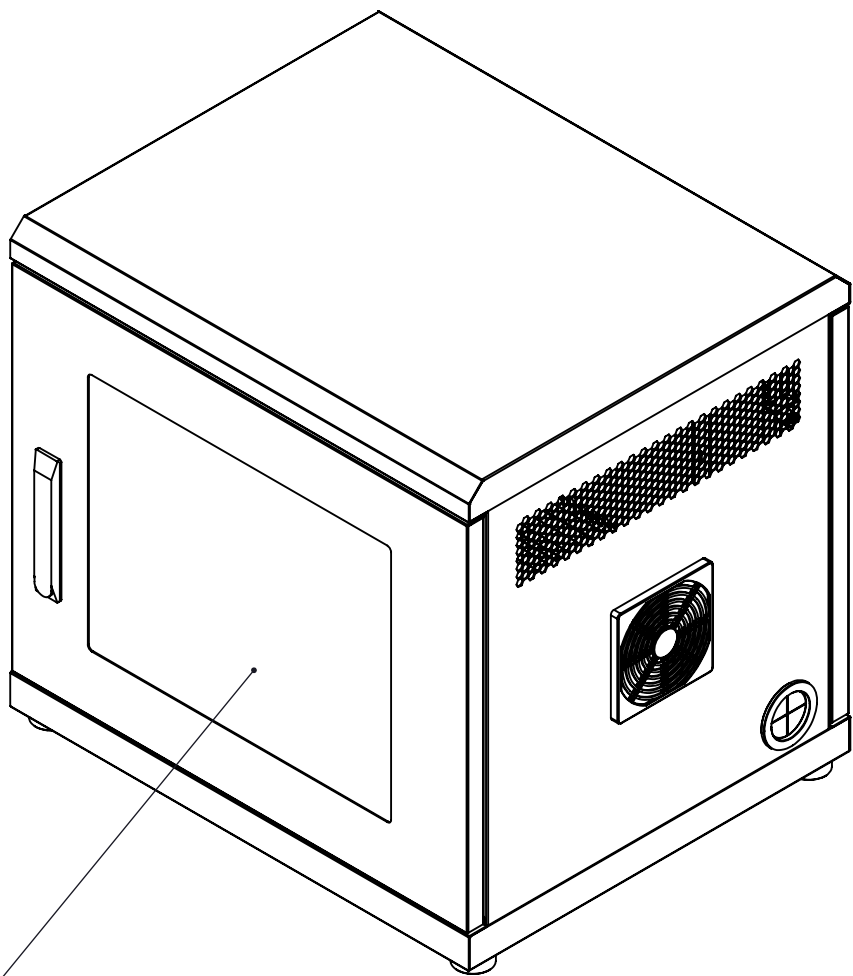
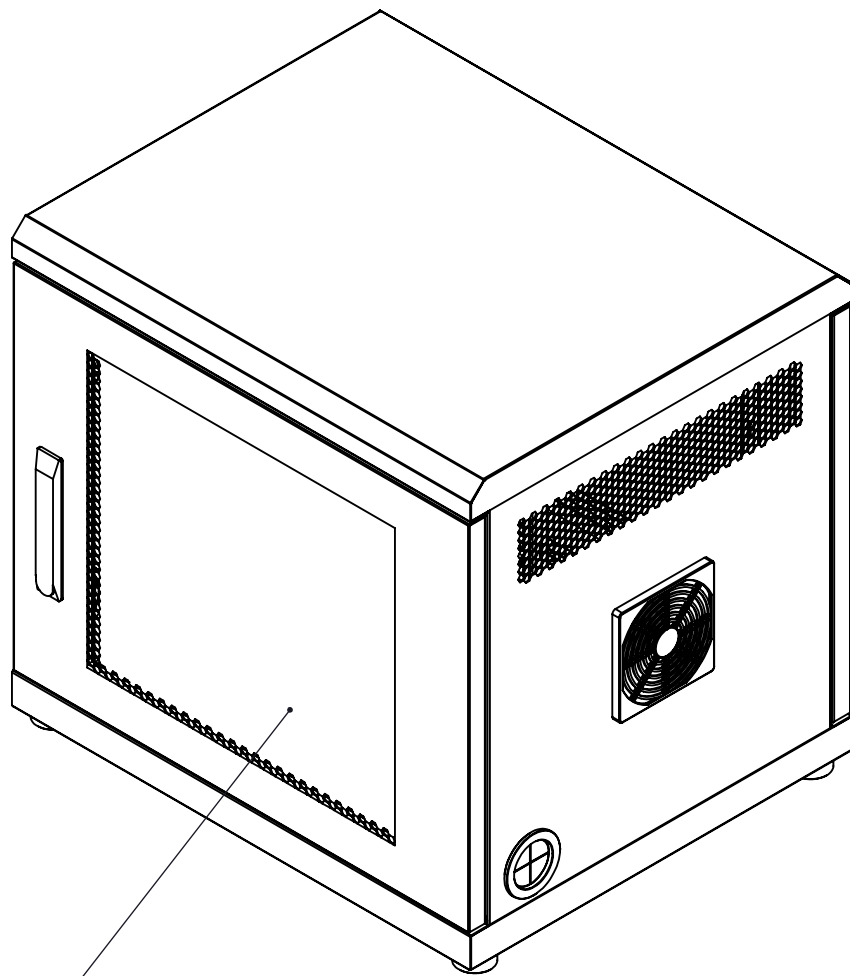


NOTES:

REVISIONS			
REV.	DESCRIPTION	DATE	APPROVED
A	FULL RELEASED	2023/11/20	CT



GLASS



MESH

PROPRIETARY AND CONFIDENTIAL
 THIS DRAWING AND ITS SPECIFICATIONS ARE THE PROPERTY OF INOVA AND SHALL NOT BE COPIED, REPRODUCED, OR USED IN WHOLE OR IN PART, AS THE BASIS FOR THE MANUFACTURE OR SALE OF ITEMS WITHOUT THE WRITTEN PERMISSION FROM INOVA. THIS DRAWING IS BASED UPON THE LATEST AVAILABLE INFORMATION AND IS SUBJECT TO CHANGE WITHOUT NOTICE.

UNLESS OTHERWISE SPECIFIED
 X = ± 1
 X.X = ± 0.5
 X.XX = ± 0.30
 X.XXX = ± 0.130
 ANGULAR
 X = 1°
 .X = 0.5°
 .XX = 0.25°



INTERPRET TO ASME Y14.100

DESCRIPTION:
 WALL MOUNT ENCLOSURE, 23.6"W X 19.7"D X 22.2"H (600 mm X 500 mm X 564 mm); 10U CAPACITY; TWO PAIR 19" EIA RACK-MOUNT SQUARE-PUNCHED RAILS; FRONT DOOR WITH PRIVACY TINT TEMPERED GLASS; PERFORATED METAL REAR DOOR; SWING HANDLE KEYED LOCKS; VENTILATED SIDES WITH ONE (1) 100 CFM FILTERED INTAKE FAN ON RIGHT AND LEFT SIDES; FANS ARE POWERED BY A SINGLE NEMA 5-15P POWER CORD; BLACK.

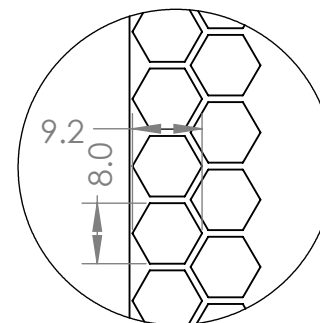
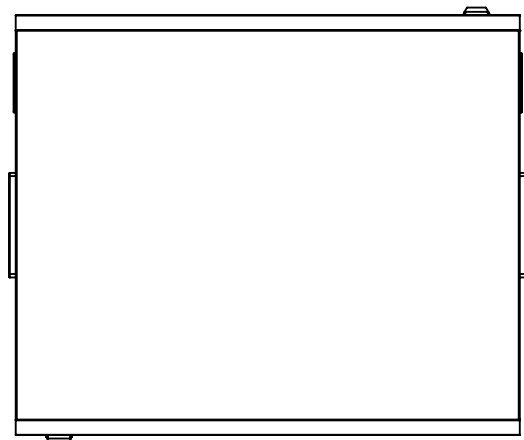
MATERIAL: SEE INDIVIDUAL
FINISH: SEE INDIVIDUAL

DEBURR AND BREAK SHARP EDGES/CONTOURS AT 0.2mm MAX CLASS: N/A

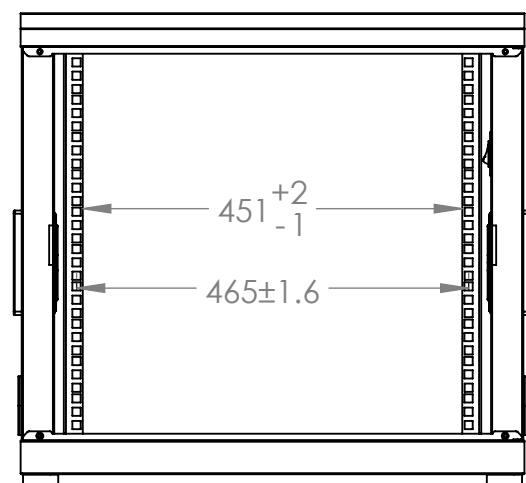
DRAWING NO:
 INV04-00001
REV NO:
 A
 SIZE:
 B

NAME	DATE	COMMENTS
DRAWN BY: AMY ZHU	2023/11/20	
APP. BY: SAM DING	2023/11/20	
SCALE: 1:10	WEIGHT:	SHEET: 1 OF 2

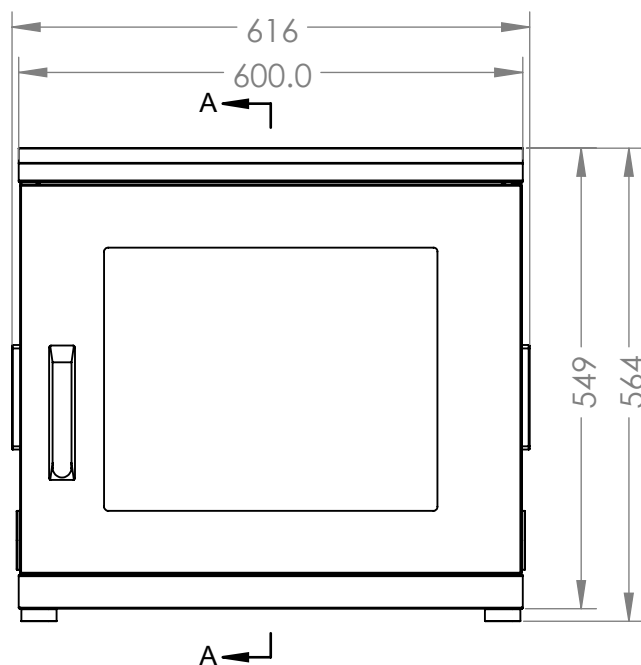
NOTES:



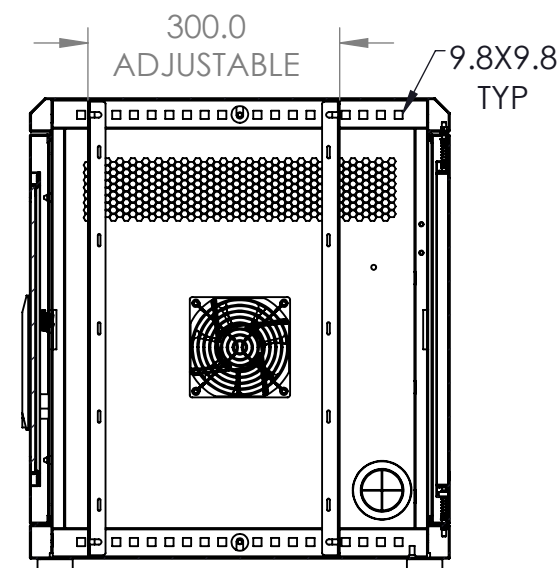
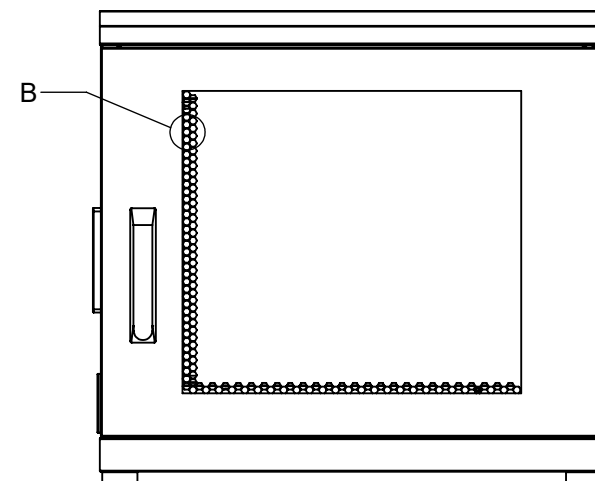
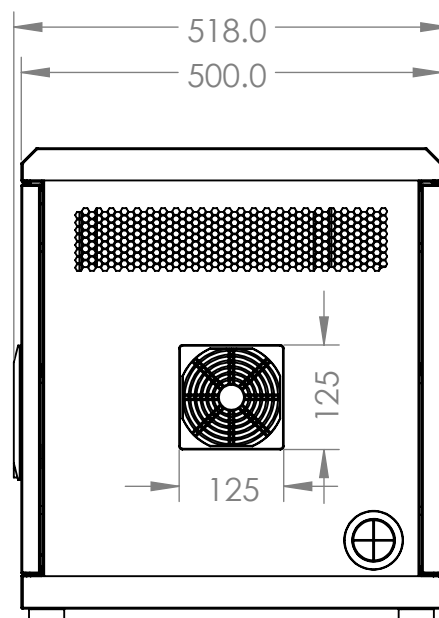
DETAIL B
SCALE 1 : 1



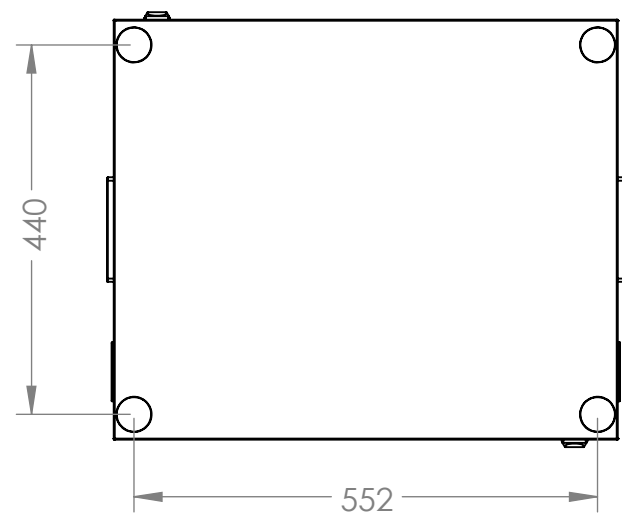
FRONT VIEW
W/O DOORS



A ←



SECTIONAL VIEW A-A
SCALE 1 : 9



PROPRIETARY AND CONFIDENTIAL

THIS DRAWING AND ITS SPECIFICATIONS ARE THE PROPERTY OF INOVA AND SHALL NOT BE COPIED, REPRODUCED, OR USED IN WHOLE OR IN PART, AS THE BASIS FOR THE MANUFACTURE OR SALE OF ITEMS WITHOUT THE WRITTEN PERMISSION FROM INOVA. THIS DRAWING IS BASED UPON THE LATEST AVAILABLE INFORMATION AND IS SUBJECT TO CHANGE WITHOUT NOTICE.

UNLESS OTHERWISE SPECIFIED

- X = ± 1
- X.X = ± 0.5
- X.XX = ± 0.30
- X.XXX = ± 0.130
- ANGULAR
- X = 1°
- .X = 0.5°
- .XX = 0.25°



UNITS: mm [in]



INTERPRET TO ASME Y14.100

DESCRIPTION:

WALL MOUNT ENCLOSURE, 23.6"W X 19.7"D X 22.2"H (600 mm X 500 mm X 564 mm); 10U CAPACITY; TWO PAIR 19" EIA RACK-MOUNT SQUARE-PUNCHED RAILS; FRONT DOOR WITH PRIVACY TINT TEMPERED GLASS; PERFORATED METAL REAR DOOR; SWING HANDLE KEYED LOCKS; VENTILATED SIDES WITH ONE (1) 100 CFM FILTERED INTAKE FAN ON RIGHT AND LEFT SIDES; FANS ARE POWERED BY A SINGLE NEMA 5-15P POWER CORD; BLACK.

MATERIAL:

SEE INDIVIDUAL

FINISH:

SEE INDIVIDUAL

DEBURR AND BREAK SHARP EDGES/CONTOURS AT 0.2mm MAX

CLASS: N/A

DRAWING NO:

INV04-00001

REV NO:

A
B

NAME	DATE	COMMENTS
DRAWN BY: AMY ZHU	2023/11/20	
APP. BY: SAM DING	2023/11/20	
SCALE: 1:10	WEIGHT:	SHEET: 2 OF 2