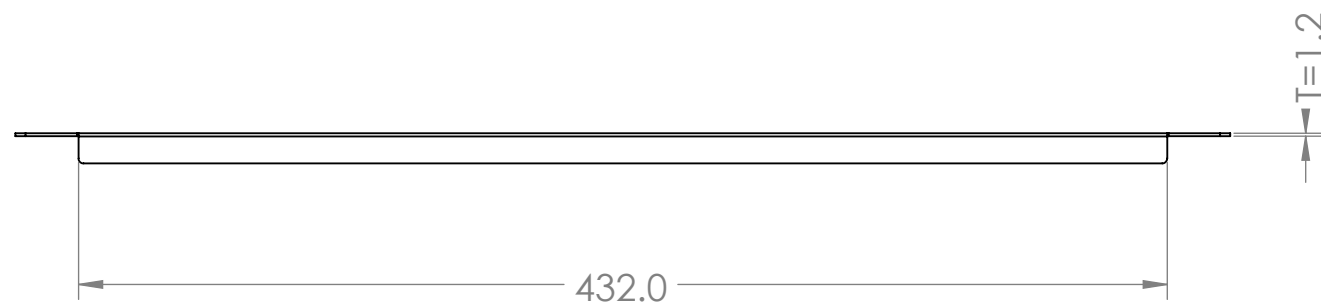
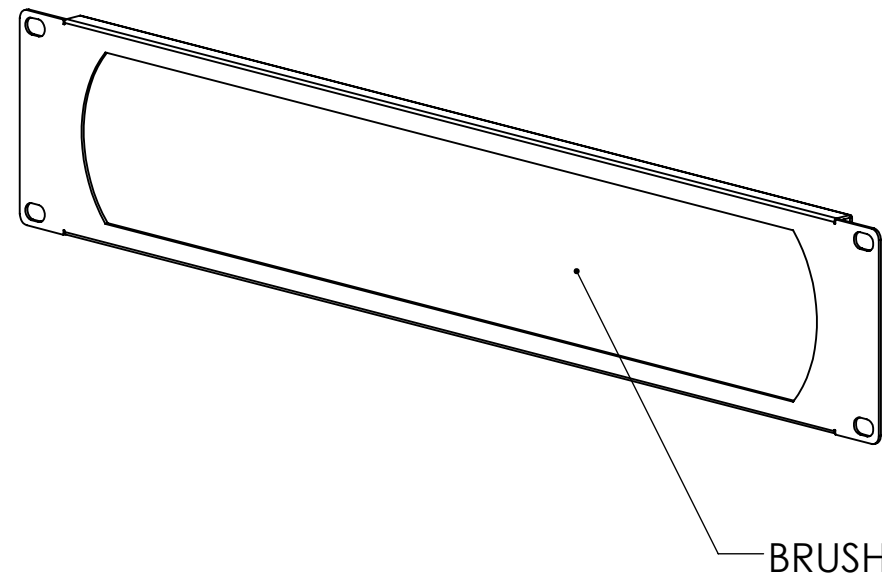
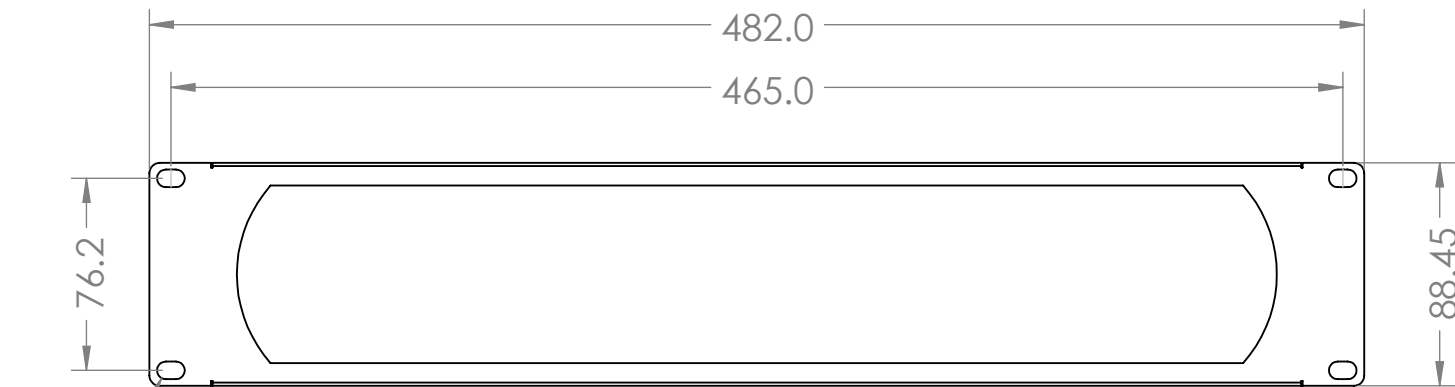
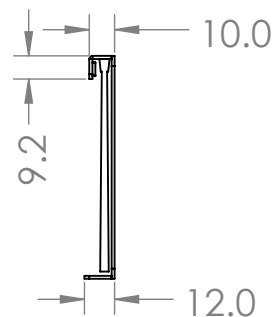


NOTES:

| REVISIONS | | | |
|-----------|---------------|------------|----------|
| REV. | DESCRIPTION | DATE | APPROVED |
| A | FULL RELEASED | 2023/11/30 | CT |



| ACCESSORY BAG | | | |
|---------------|-------------|--|------|
| ITEM | PN. | DES. | QTY. |
| 1 | 212-E600-00 | NUT, INTEGRATED(SEMS),CAGE NUT, M6,BLACK ZINC PLATE | 4 |
| 2 | 224-E600-00 | WASHER, CUP WASHER, PLASTIC, BLACK, DIA X, THICKNESS X, HEIGHT X | 4 |
| 3 | 201-E616-00 | SCREW, ROUNDED HEAD, M6X16 PHILLIPS, BLACK ZINC, GRADE 8.8 | 4 |

PROPRIETARY AND CONFIDENTIAL
 THIS DRAWING AND ITS SPECIFICATIONS ARE THE PROPERTY OF INOVA AND SHALL NOT BE COPIED, REPRODUCED, OR USED IN WHOLE OR IN PART, AS THE BASIS FOR THE MANUFACTURE OR SALE OF ITEMS WITHOUT THE WRITTEN PERMISSION FROM INOVA. THIS DRAWING IS BASED UPON THE LATEST AVAILABLE INFORMATION AND IS SUBJECT TO CHANGE WITHOUT NOTICE.

UNLESS OTHERWISE SPECIFIED
 X = ± 1
 X.X = ± 0.5
 X.XX = ± 0.30
 X.XXX = ± 0.130
 ANGULAR
 X = 1°
 .X = 0.5°
 .XX = 0.25°
 UNITS: mm [in]



DESCRIPTION:
**CABINET ACCESSORY, 19" 2U
 BLANKING PANEL WITH BRUSH,
 BLACK**

MATERIAL: PP+CRS
 FINISH: RAL9005 TEXTURE
 DEBURR AND BREAK SHARP EDGES/CONTOURS AT 0.2mm MAX
 CLASS: N/A

| | | |
|------------------------------------|------------|---------------------|
| DRAWING NO: INV08-00006B | | REV NO: A |
| NAME | DATE | COMMENTS: |
| DRAWN BY: AMY ZHU | 2023/11/29 | |
| APP. BY: SAM DING | 2023/11/29 | |
| SCALE: 1:3 | WEIGHT: | SHEET: 1 OF 1 |

INTERPRET TO ASME Y14.100