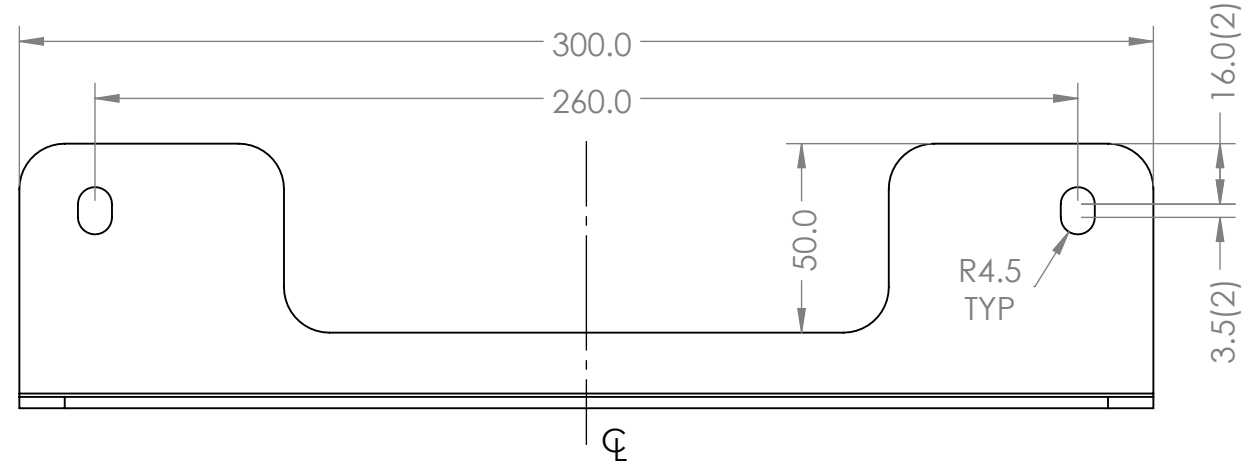
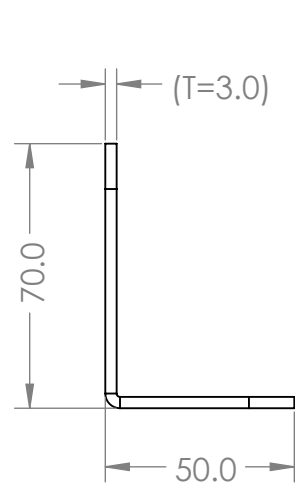
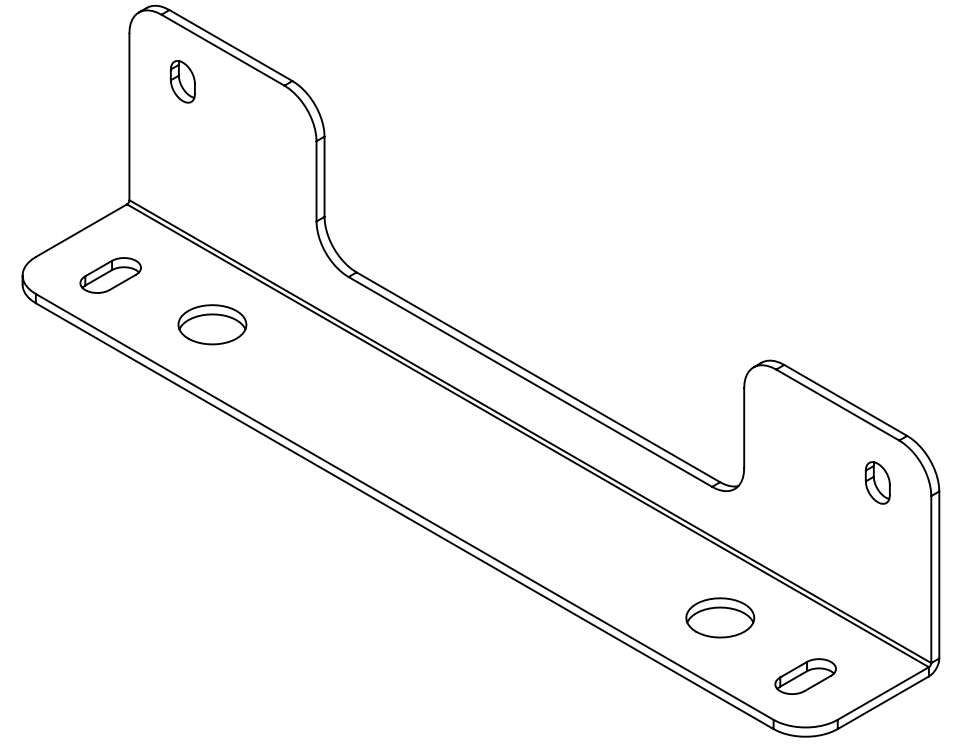
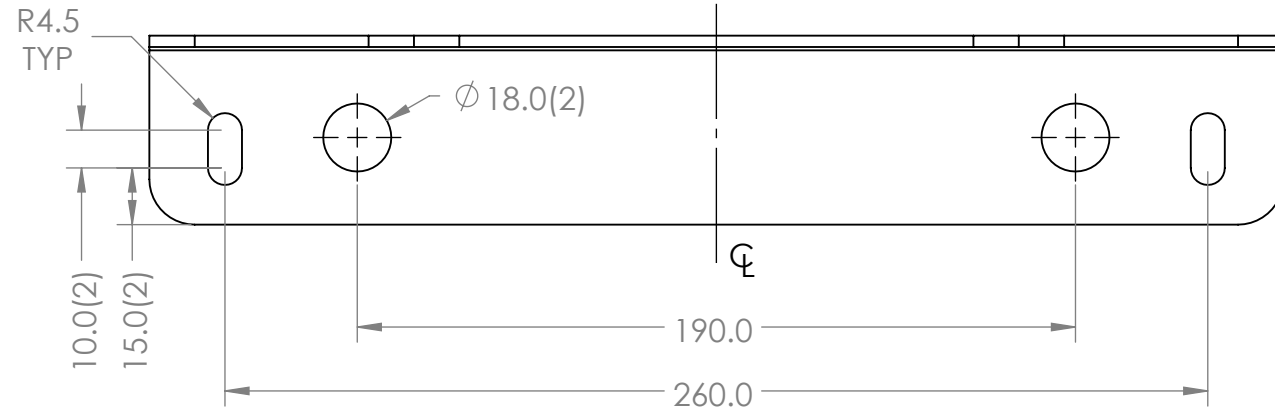


NOTES:  
 THE SKU INCLUDING:  
 2 PCS, PLATES FOR 2"CASTOR;  
 4 PCS, BOLTS 1/2X3 3/4IN;  
 4 PCS, BAYING BRACKETS;  
 8 PCS, PHILIPS PAN, SINK M5X12, BLACK ZINC;  
 4 PCS, WASHERS AND NUT 1/2 IN;  
 1 BOTTLE, EPOXT ADHESIVE.

REVISIONS			
REV.	DESCRIPTION	DATE	APPROVED
A	FULL RELEASED	2023/12/1	CT



<b>PROPRIETARY AND CONFIDENTIAL</b> THIS DRAWING AND ITS SPECIFICATIONS ARE THE PROPERTY OF INOVA AND SHALL NOT BE COPIED, REPRODUCED, OR USED IN WHOLE OR IN PART, AS THE BASIS FOR THE MANUFACTURE OR SALE OF ITEMS WITHOUT THE WRITTEN PERMISSION FROM INOVA. THIS DRAWING IS BASED UPON THE LATEST AVAILABLE INFORMATION AND IS SUBJECT TO CHANGE WITHOUT NOTICE.	UNLESS OTHERWISE SPECIFIED		DESCRIPTION: CABINET ACCESSORY, ANCHOR BRACKET, 2 PCS PER SET WITH HARDWARES, WHITE		DRAWING NO: INV08-00017W		REV NO: A	
	X = ± 1 X.X = ± 0.5 X.XX = ± 0.30 X.XXX = ± 0.130 ANGULAR X = 1° .X = 0.5° .XX = 0.25°		MATERIAL: 3.0MM SPCC	FINISH: RAL 9003 TEXTURE	CLASS: N/A	SCALE: 1:2	WEIGHT:	SHEET: 1 OF 1
	INTERPRET TO ASME Y14.100		DEBURR AND BREAK SHARP EDGES/CONTOURS AT 0.2mm MAX	APP. BY: SAM DING	DATE: 2023/12/1	COMMENTS:	NAME: AMY ZHU	DATE: 2023/12/1
	UNITS: mm [in]		CLASS: N/A	APP. BY: SAM DING	DATE: 2023/12/1	COMMENTS:	NAME: AMY ZHU	DATE: 2023/12/1