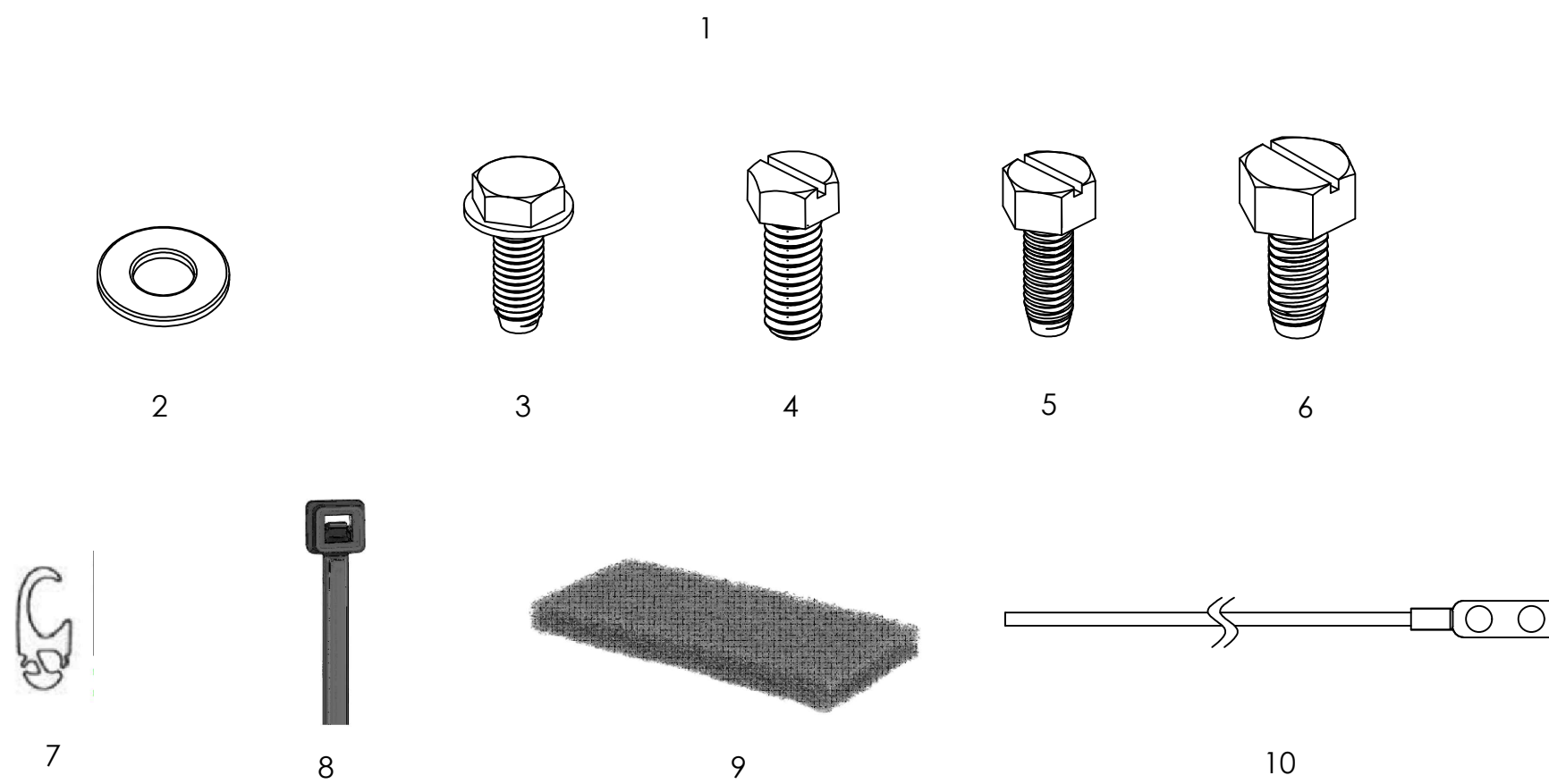
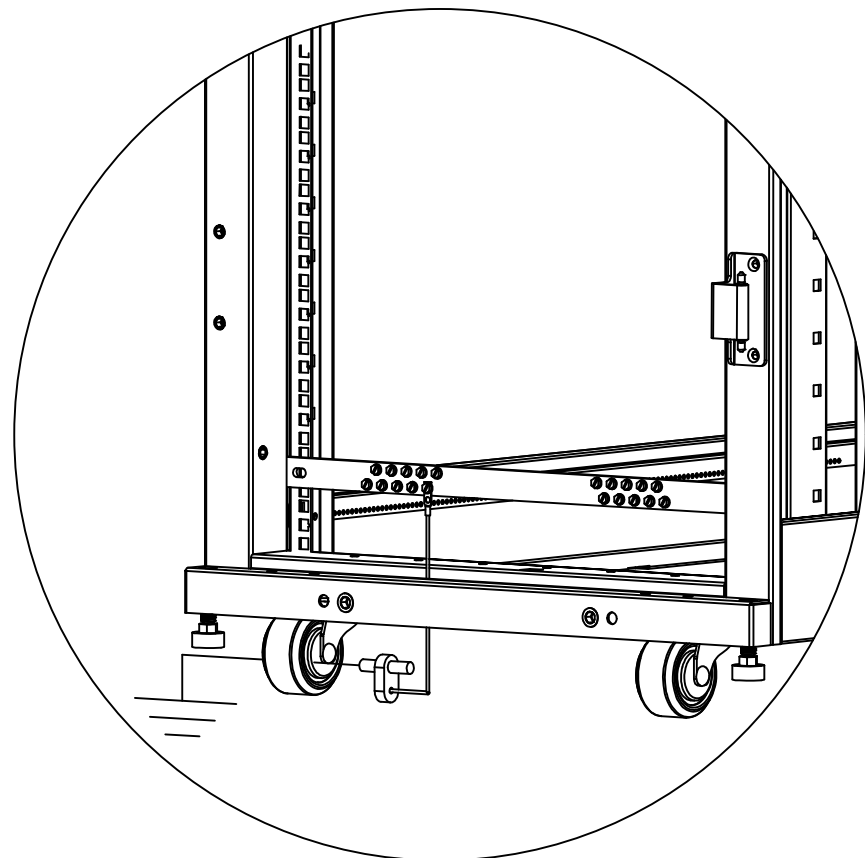


NOTES:

REVISIONS			
REV.	DESCRIPTION	DATE	APPROVED
A	FULL RELEASED	2023/12/04	CT



ITEM	DES.	QTY.
1	19" Grounding Bar With 20x Pre-installed Hex Screws	1
2	#12 Washer	2
3	#10-32, 1/2" Length Hex Head Self-tapping Locking Screw	2
4	#12-24, 1/2" Length Hex Head Screw	2
5	M5x12 Hex Head Self-tapping Locking Screw	2
6	M6x12 Hex Head Self-tapping Locking Screw	2
7	HTAP	2
8	Cable Tie, 250mm Length	3
9	Scouring Pad, Green, 100x70x15	1
10	Jumper, Outer Diameter Ø9, L=2.5M	1

PROPRIETARY AND CONFIDENTIAL
 THIS DRAWING AND ITS SPECIFICATIONS ARE THE PROPERTY OF INOVA AND SHALL NOT BE COPIED, REPRODUCED, OR USED IN WHOLE OR IN PART, AS THE BASIS FOR THE MANUFACTURE OR SALE OF ITEMS WITHOUT THE WRITTEN PERMISSION FROM INOVA. THIS DRAWING IS BASED UPON THE LATEST AVAILABLE INFORMATION AND IS SUBJECT TO CHANGE WITHOUT NOTICE.

UNLESS OTHERWISE SPECIFIED
 X = ± 1
 X.X = ± 0.5
 X.XX = ± 0.30
 X.XXX = ± 0.130
 ANGULAR
 X = 1°
 .X = 0.5°
 .XX = 0.25°



DESCRIPTION:
CABINET ACCESSORY, GROUNDING BAR KIT FOR 19" CABINETS

MATERIAL: RED COPPER T2, T=5.0
 FINISH: Silver-Plated, Thickness: 4-8 µm

DEBURR AND BREAK SHARP EDGES/CONTOURS AT 0.2mm MAX

DRAWING NO: INV08-00018		REV NO: A
NAME		DATE
DATE		COMMENTS:
DRAWN BY	AMY ZHU	2023/12/04
APP. BY	SAM DING	2023/12/04
SCALE: N/A	WEIGHT:	SHEET: 1 OF 2

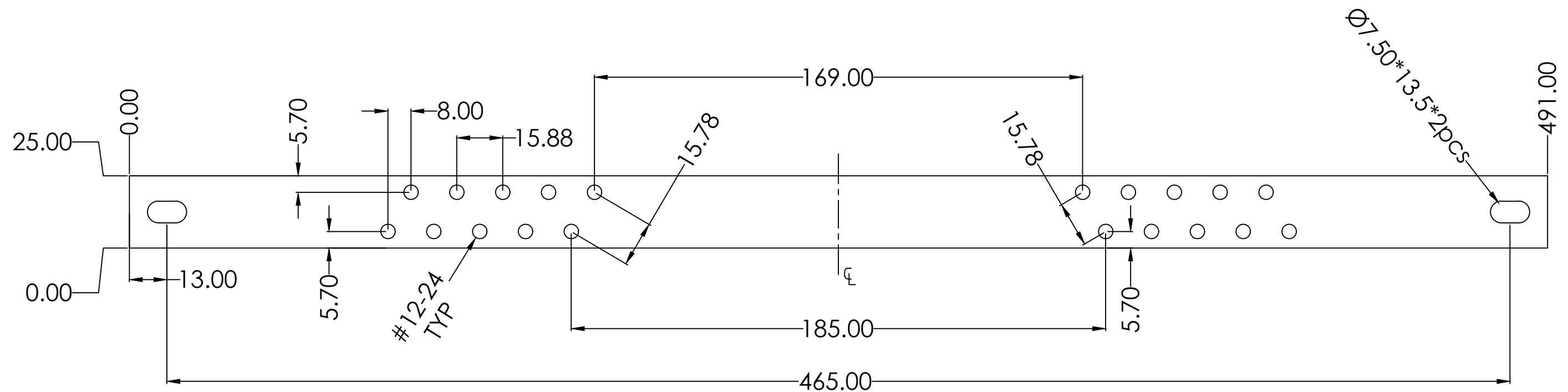
UNITS: mm [in]

INTERPRET TO ASME Y14.100

CLASS: N/A

SCALE: N/A

NOTES:



PROPRIETARY AND CONFIDENTIAL
 THIS DRAWING AND ITS SPECIFICATIONS ARE THE PROPERTY OF INOVA AND SHALL NOT BE COPIED, REPRODUCED, OR USED IN WHOLE OR IN PART, AS THE BASIS FOR THE MANUFACTURE OR SALE OF ITEMS WITHOUT THE WRITTEN PERMISSION FROM INOVA. THIS DRAWING IS BASED UPON THE LATEST AVAILABLE INFORMATION AND IS SUBJECT TO CHANGE WITHOUT NOTICE.

UNLESS OTHERWISE SPECIFIED
 X = ± 1
 X.X = ± 0.5
 X.XX = ± 0.30
 X.XXX = ± 0.130
 ANGULAR
 X = 1°
 .X = 0.5°
 .XX = 0.25°

UNITS: mm [in]



INTERPRET TO ASME Y14.100

DESCRIPTION:
 CABINET ACCESSORY, GROUNDING BAR KIT FOR 19" CABINETS

MATERIAL: RED COPPER T2, T=5.0
 FINISH: Silver-Plated, Thickness: 4-8 μ m

DEBURR AND BREAK SHARP EDGES/CONTOURS AT 0.2mm MAX
 CLASS: N/A

DRAWING NO:
 INV08-00018
 REV NO: A
 SIZE: B

NAME	DATE	COMMENTS:
DRAWN BY: AMY ZHU	2023/12/04	
APP. BY: SAM DING	2023/12/04	

SCALE: N/A WEIGHT: SHEET: 2 OF 2