

8 7 6 5 4 3 2 1

NOTES:

REVISIONS			
REV.	DESCRIPTION	DATE	APPROVED
A	FULL RELEASED	2023/12/1	CT

E

E

D

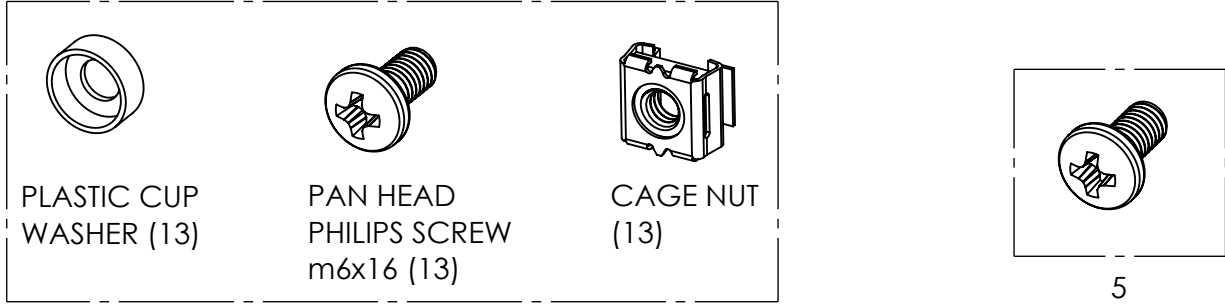
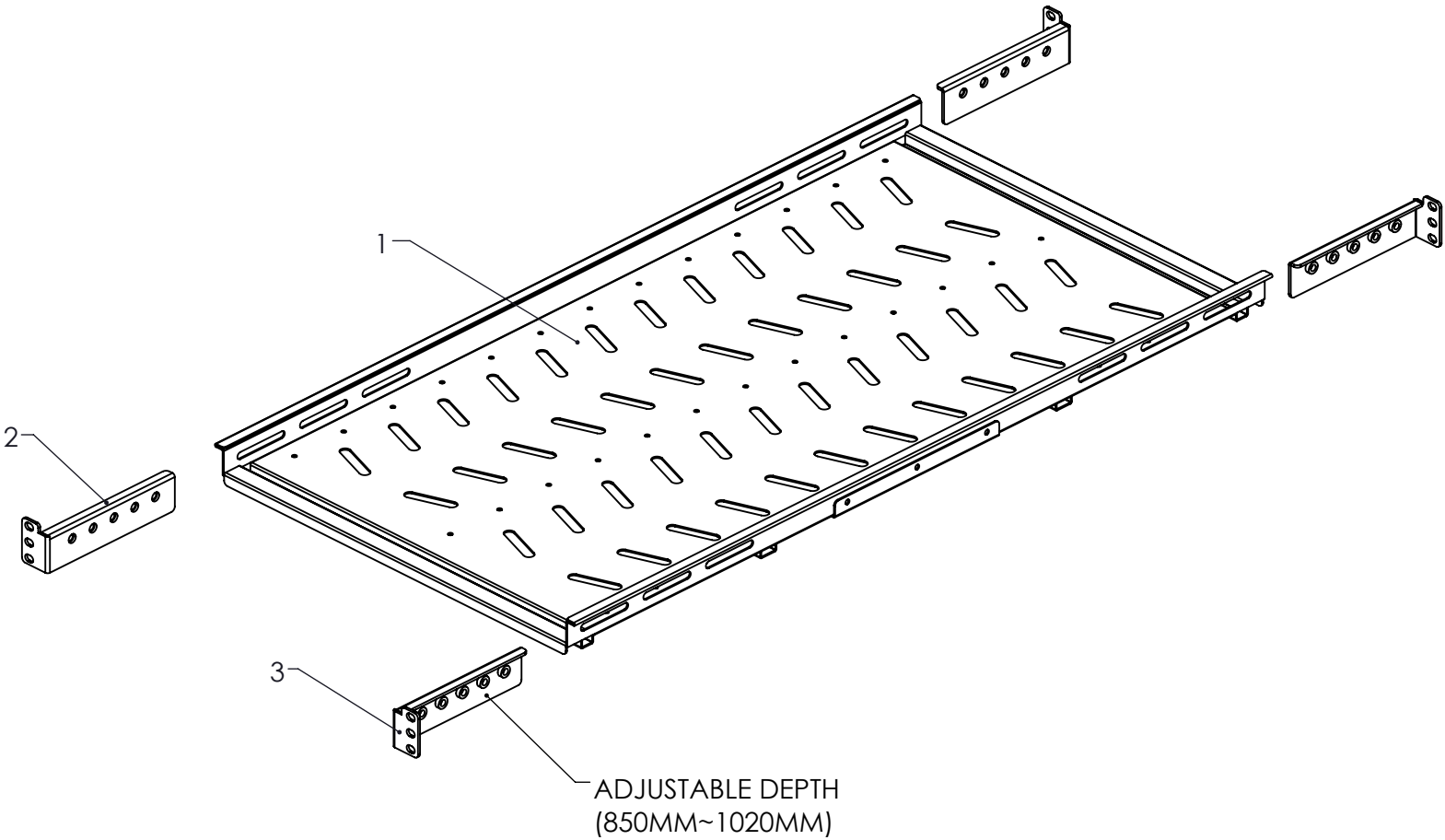
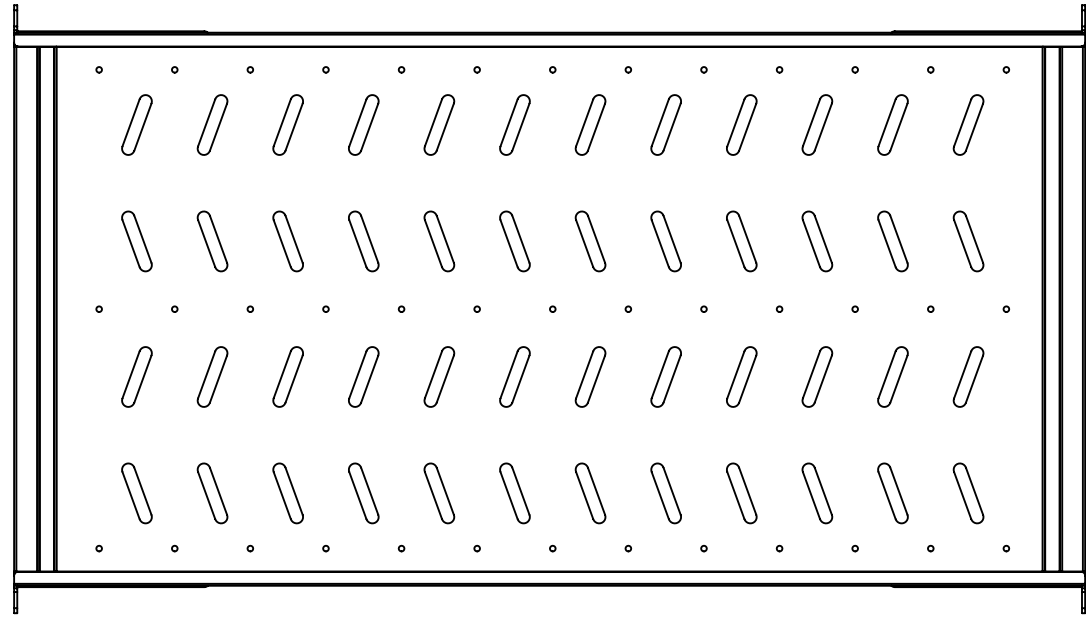
D

C

C

B

A



ITEM	LEVEL	PN	DES.	QTY.
1	1	1M2-W004-850	MAIN SHELF	1
/	1	OK0-W002	ACCESSORY BAG	1
2	2	1M2-W002	HANGING LEFT EAR	2
3	2	1M2-W003	HANGING RIGHT EAR	2
4	2	2F1-W102	CAGE NUT KITS	1
5	2	2F1-P0612-B	PAN HAED PHILIPS SCREW, M6X12, BLACK ZINC	16

PROPRIETARY AND CONFIDENTIAL
 THIS DRAWING AND ITS SPECIFICATIONS ARE THE PROPERTY OF INOVA AND SHALL NOT BE COPIED, REPRODUCED, OR USED IN WHOLE OR IN PART, AS THE BASIS FOR THE MANUFACTURE OR SALE OF ITEMS WITHOUT THE WRITTEN PERMISSION FROM INOVA. THIS DRAWING IS BASED UPON THE LATEST AVAILABLE INFORMATION AND IS SUBJECT TO CHANGE WITHOUT NOTICE.

UNLESS OTHERWISE SPECIFIED
 X = ± 1
 X.X = ± 0.5
 X.XX = ± 0.30
 X.XXX = ± 0.130
 ANGULAR
 X = 1°
 .X = 0.5°
 .XX = 0.25°
 UNITS: mm [in]

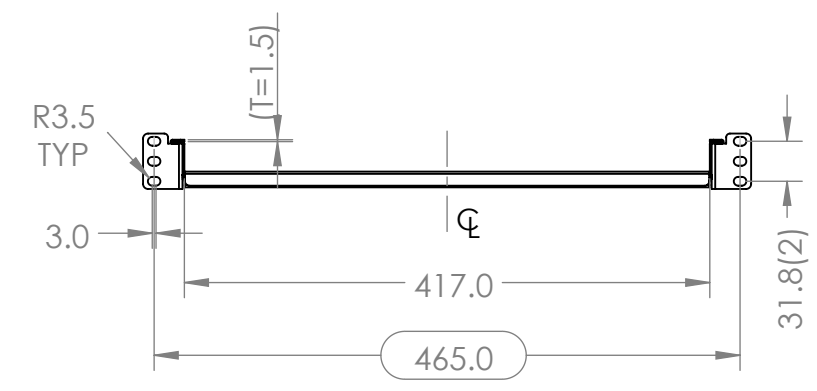
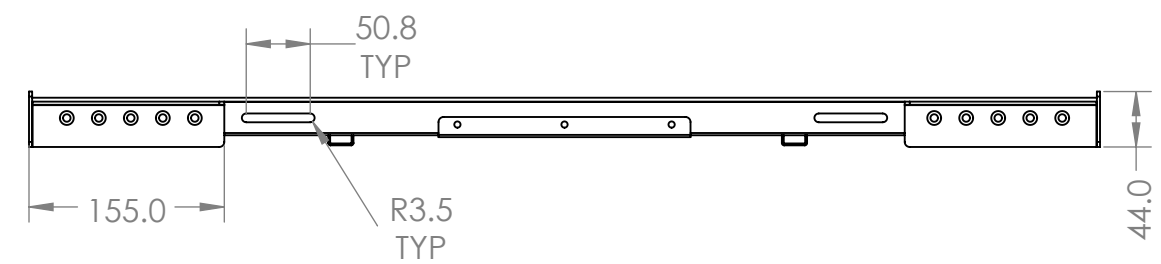
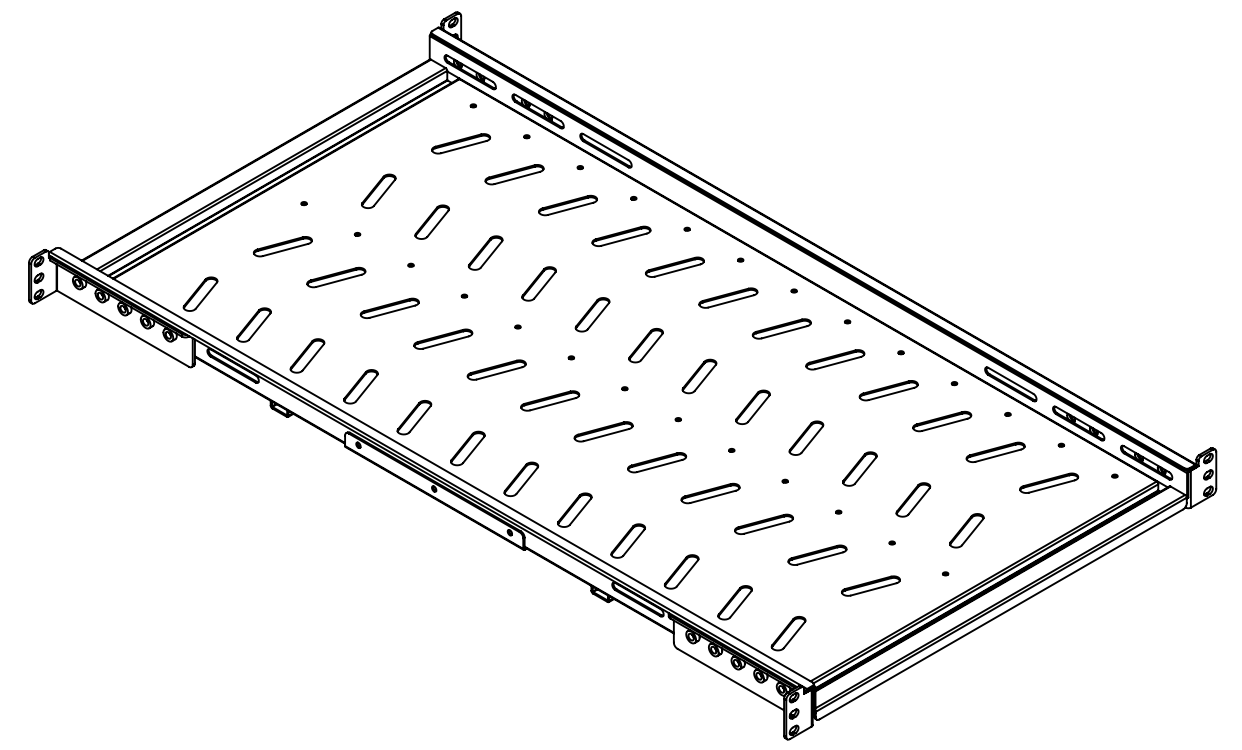
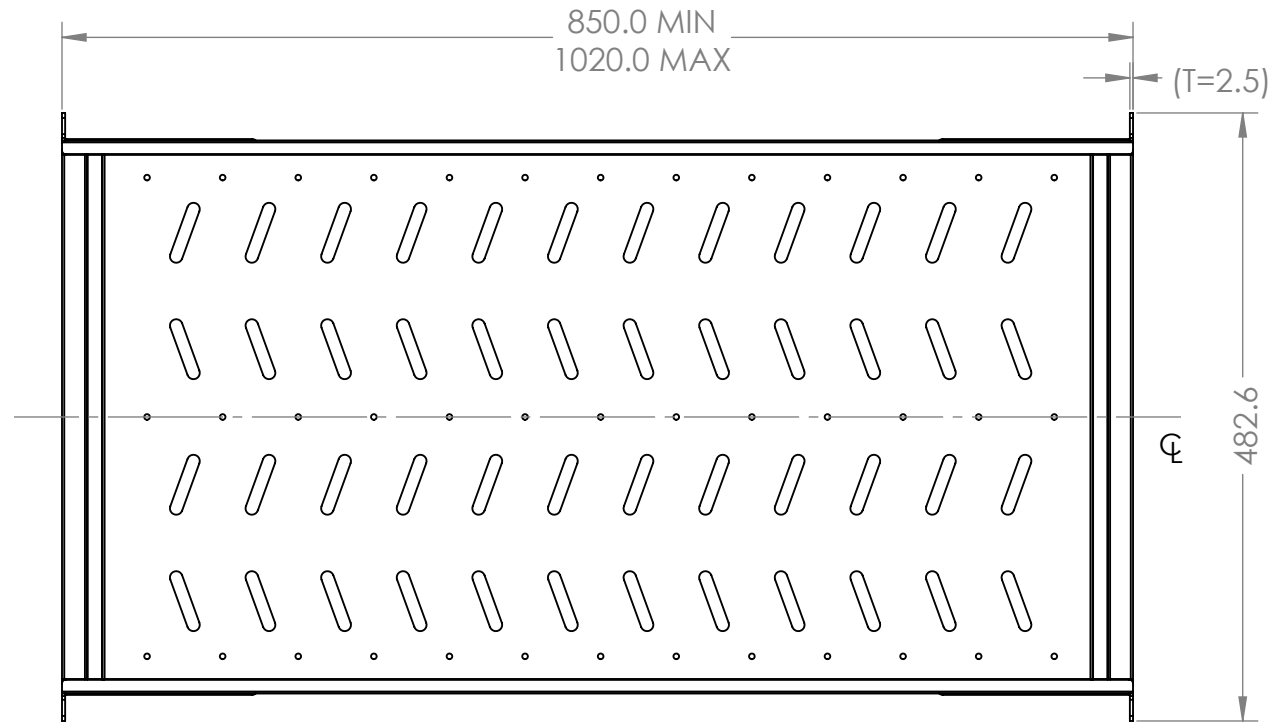


DESCRIPTION:
 RACK ACCESSORY, FIX SHELF, 1U,
 19" WIDTH, 33.5" DEPTH, 200LBS
 LOADING, BLACK
 MATERIAL: 1.5MM&2.5MM SPCC
 FINISH: RAL 9005 TEXTURE
 DEBURR AND BREAK SHARP EDGES/CONTOURS AT 0.2mm MAX
 CLASS: N/A

DRAWING NO: INV08-FSH850		REV NO: A
NAME		DATE
DRAWN BY: AMY ZHU		2023/12/1
APP. BY: SAM DING		2023/12/1
SCALE: 1:6	WEIGHT:	SHEET: 1 OF 2

8 7 6 5 4 3 2 1

NOTES:



<p>PROPRIETARY AND CONFIDENTIAL</p> <p>THIS DRAWING AND ITS SPECIFICATIONS ARE THE PROPERTY OF INOVA AND SHALL NOT BE COPIED, REPRODUCED, OR USED IN WHOLE OR IN PART, AS THE BASIS FOR THE MANUFACTURE OR SALE OF ITEMS WITHOUT THE WRITTEN PERMISSION FROM INOVA. THIS DRAWING IS BASED UPON THE LATEST AVAILABLE INFORMATION AND IS SUBJECT TO CHANGE WITHOUT NOTICE.</p>	<p>UNLESS OTHERWISE SPECIFIED</p> <p>X = ± 1 X.X = ± 0.5 X.XX = ± 0.30 X.XXX = ± 0.130</p> <p>ANGULAR X = 1° .X = 0.5° .XX = 0.25°</p>		<p>DESCRIPTION: RACK ACCESSORY, FIX SHELF, 1U, 19" WIDTH, 33.5" DEPTH, 200LBS LOADING, BLACK</p>	<p>DRAWING NO: INV08-FSH850</p>	<p>REV NO: A</p>								
	<p>INTERPRET TO ASME Y14.100</p>		<p>MATERIAL: 1.5MM&2.5MM SPCC</p>	<p>FINISH: RAL 9005 TEXTURE</p>	<table border="1"> <tr> <td>NAME</td> <td>DATE</td> <td rowspan="2">COMMENTS:</td> </tr> <tr> <td>DRAWN BY AMY ZHU</td> <td>2023/12/1</td> </tr> <tr> <td>APP. BY SAM DING</td> <td>2023/12/1</td> <td></td> </tr> </table>	NAME	DATE	COMMENTS:	DRAWN BY AMY ZHU	2023/12/1	APP. BY SAM DING	2023/12/1	
	NAME		DATE	COMMENTS:									
DRAWN BY AMY ZHU	2023/12/1												
APP. BY SAM DING	2023/12/1												
<p>UNITS: mm [in]</p>	<p>DEBURR AND BREAK SHARP EDGES/CONTOURS AT 0.2mm MAX</p>	<p>CLASS: N/A</p>	<p>SCALE: 1:10</p>	<p>WEIGHT:</p>	<p>SHEET: 2 OF 2</p>								