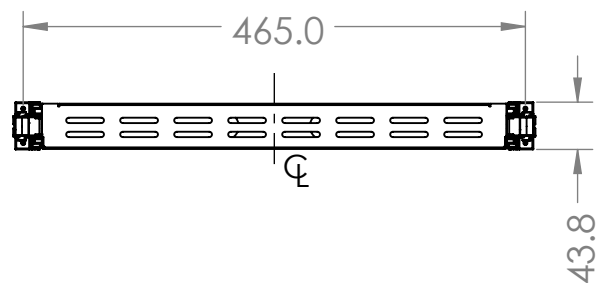
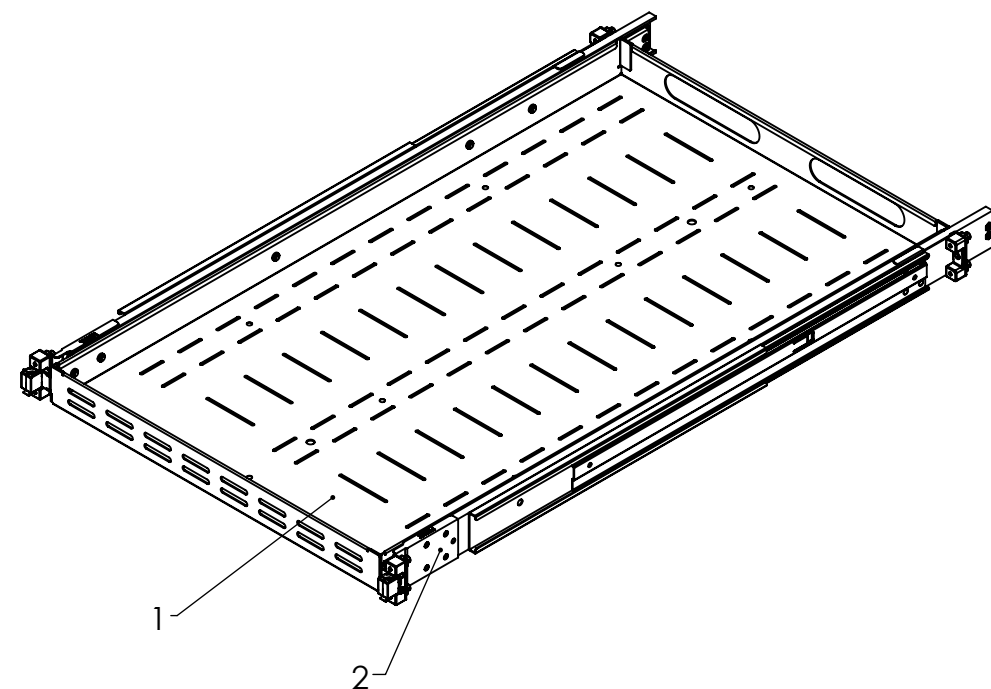
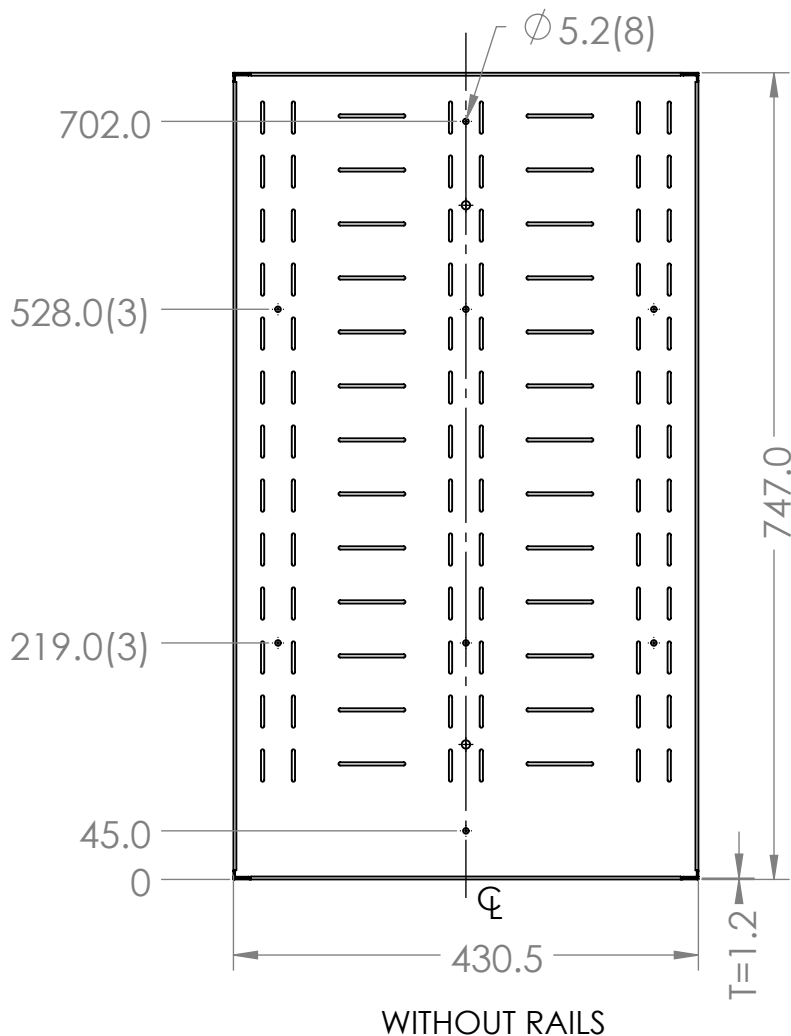
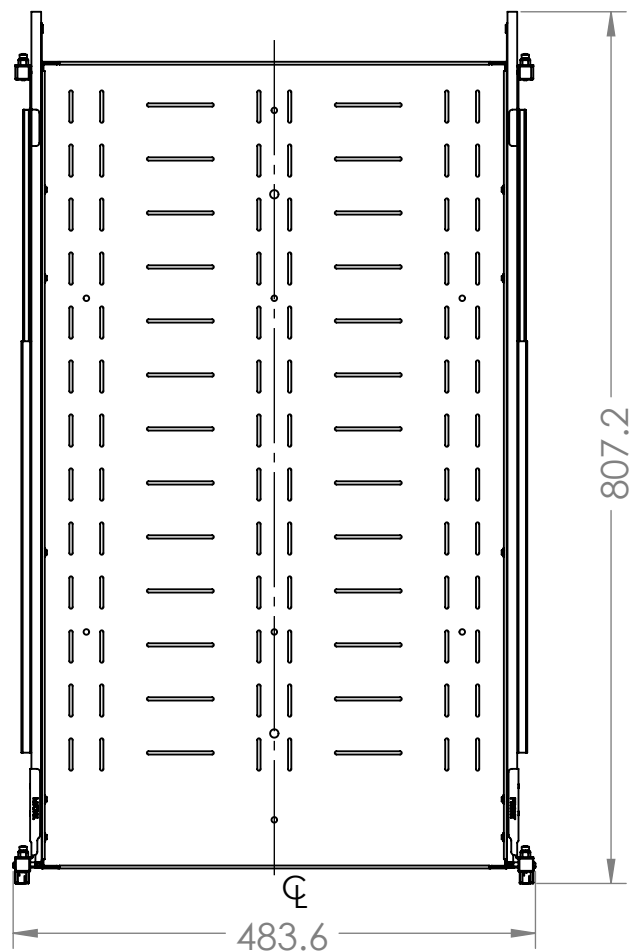
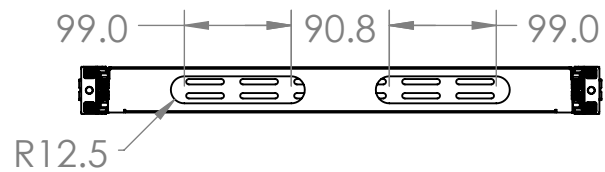


NOTES:

REVISIONS			
REV.	DESCRIPTION	DATE	APPROVED
A	FULL RELEASED	2023/12/1	CT



ITEM	PN	DES	QTY.
1	G118R-R3	MAIN SHELF	1
2	3A61-762YPZZ1X22	RAILS, 1 SET	1

**PROPRIETARY AND CONFIDENTIAL**

THIS DRAWING AND ITS SPECIFICATIONS ARE THE PROPERTY OF INOVA AND SHALL NOT BE COPIED, REPRODUCED, OR USED IN WHOLE OR IN PART, AS THE BASIS FOR THE MANUFACTURE OR SALE OF ITEMS WITHOUT THE WRITTEN PERMISSION FROM INOVA. THIS DRAWING IS BASED UPON THE LATEST AVAILABLE INFORMATION AND IS SUBJECT TO CHANGE WITHOUT NOTICE.

UNLESS OTHERWISE SPECIFIED

- X = ± 1
- X.X = ± 0.5
- X.XX = ± 0.30
- X.XXX = ± 0.130
- ANGULAR
- X = 1°
- .X = 0.5°
- .XX = 0.25°



UNITS: mm [in]



INTERPRET TO ASME Y14.100

DESCRIPTION:  
CABINET ACCESSORY, SLIDING SHELF, 1U, 19" WIDTH, 29.5" DEPTH, 90LBS LOADING, BLACK

MATERIAL:  
1.2MM SPCC

FINISH:  
RAL 9005 TEXTURE

DEBURR AND BREAK SHARP EDGES/CONTOURS AT 0.2mm MAX

CLASS: N/A

DRAWING NO:

INV08-SSK001

REV NO:

A

SIZE:  
B

NAME	DATE	COMMENTS
DRAWN BY: AMY ZHU	2023/12/1	
APP. BY: SAM DING	2023/12/1	

SCALE: 1:10 WEIGHT: SHEET: 1 OF 1