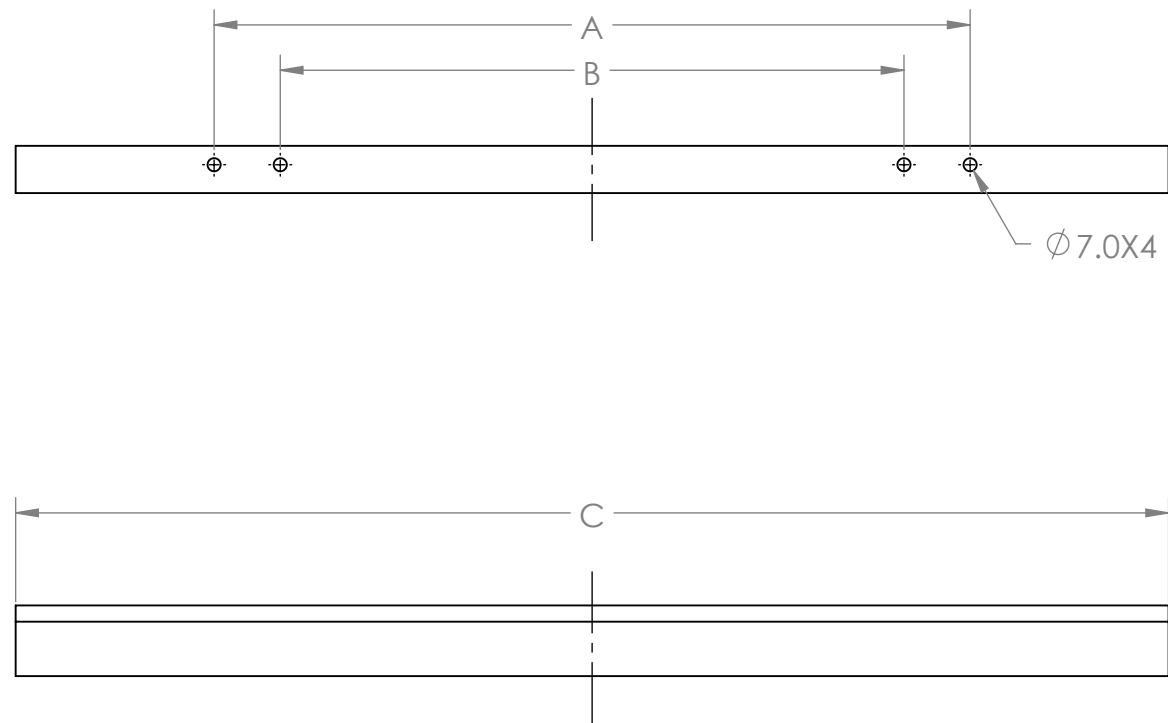
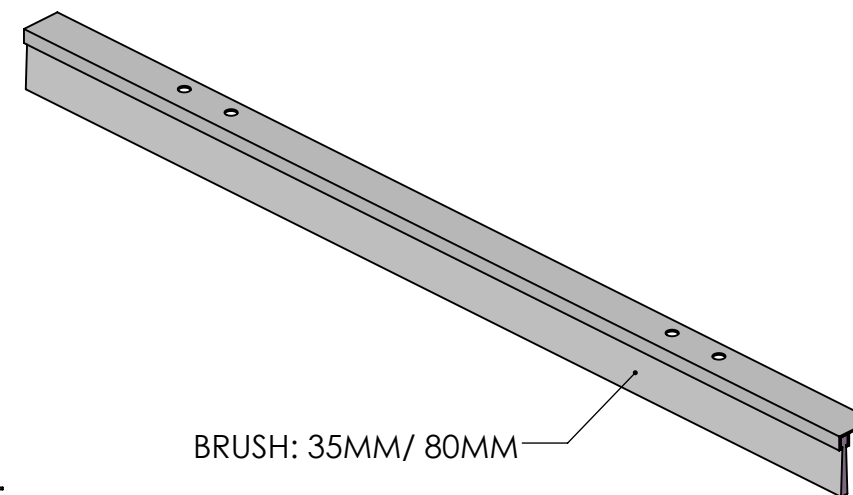


NOTES:



REVISIONS			
REV.	DESCRIPTION	DATE	APPROVED
A	FULL RELEASED	2024/1/31	CT



ITEM	PN	DES.	A	B	C	D
1	INV12-AC600F80B	ACCESSORY, F-SHAPED BRUSH KIT, 600MMX 25MMX 82MM	390	320	600	80
2	INV12-AC600H80B	ACCESSORY, H-SHAPED BRUSH KIT, 600MMX 7.5MMX 100MM	390	320	600	80
3	INV12-AC610F35B	ACCESSORY, F-SHAPED BRUSH KIT, 610MMX 25MMX 37MM	400	330	610	35
4	INV12-AC610H35B	ACCESSORY, H-SHAPED BRUSH KIT, 600MMX 7.5MMX 55MM	400	330	610	35
5	INV12-AC800F80B	ACCESSORY, F-SHAPED BRUSH KIT, 800MMX 25MMX 82MM	590	520	800	80
6	INV12-AC800H80B	ACCESSORY, H-SHAPED BRUSH KIT, 800MMX 7.5MMX 100MM	590	520	800	80



PAN HEAD  
PHILIPS SCREW  
M6X10(4)

<b>PROPRIETARY AND CONFIDENTIAL</b> THIS DRAWING AND ITS SPECIFICATIONS ARE THE PROPERTY OF INOVA AND SHALL NOT BE COPIED, REPRODUCED, OR USED IN WHOLE OR IN PART, AS THE BASIS FOR THE MANUFACTURE OR SALE OF ITEMS WITHOUT THE WRITTEN PERMISSION FROM INOVA. THIS DRAWING IS BASED UPON THE LATEST AVAILABLE INFORMATION AND IS SUBJECT TO CHANGE WITHOUT NOTICE.	UNLESS OTHERWISE SPECIFIED X = ± 1 X.X = ± 0.5 X.XX = ± 0.30 X.XXX = ± 0.130 ANGULAR X = 1° .X = 0.5° .XX = 0.25°		DESCRIPTION: ACCESSORY, F-SHAPED/ H-SHAPED BRUSH KIT, DIMENSION AS FOLLOWED TABLE, BLACK	DRAWING NO: <b>INV12-ACXXXXXB</b>	REV NO: <b>A</b>
	MATERIAL: AL ALLOY+UL94-V2 PP		FINISH: RAL 9005 TEXTURE	NAME DATE	COMMENTS:
	DEBURR AND BREAK SHARP EDGES/CONTOURS AT 0.2mm MAX		CLASS: N/A	DRAWN BY: AMY ZHU APP. BY: SAM DING	DATE: 2023/1/31 DATE: 2023/1/31

ACCESSORY BAG			
ITEM	PN	DES.	QTY.
1	2F1-D0610-B	PHILLIPS PAN HEAD SELF-TAPPING LOCKING SCREW M6X10, BLACK ZINC	4