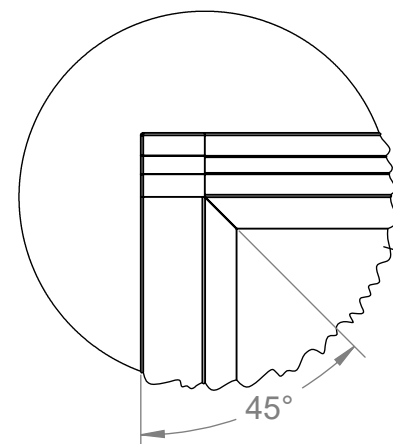
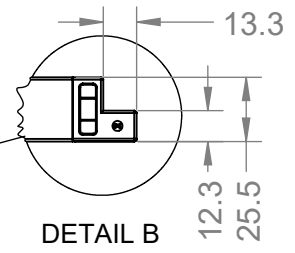


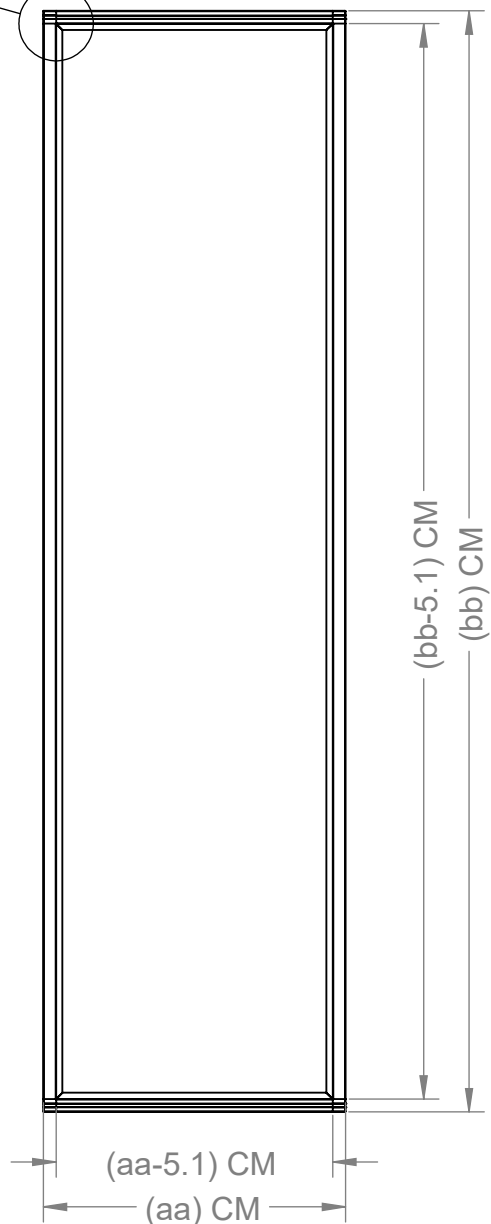
NOTES:



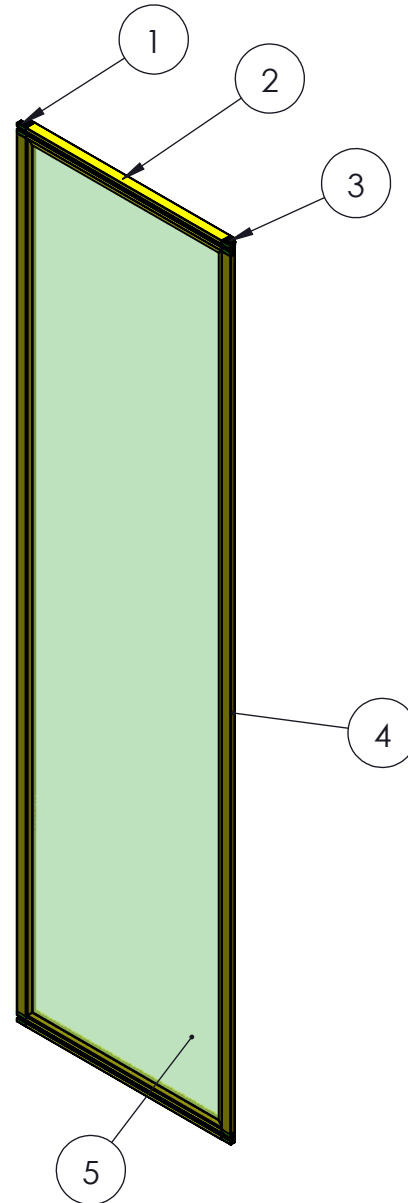
DETAIL A
SCALE 1 : 3



DETAIL B
SCALE 1 : 3



REVISIONS			
REV.	DESCRIPTION	DATE	APPROVED
A	FULL RELEASED	2024/2/1	CT



ITEM	DES.	MATERIAL/REMARK	QTY.
1	CONNECTOR-1, PLASTIC	REINFORCED PP	2
2	H TYPE	ALUMINUM, 6063-T5	2
3	CONNECTOR-2, PLASTIC	REINFORCED PP	2
4	L TYPE	ALUMINUM, 6063-T5	2
5	PC HOLLOW SHEET	T=10MM, FIRE RATING V2	1

PROPRIETARY AND CONFIDENTIAL
THIS DRAWING AND ITS SPECIFICATIONS ARE THE PROPERTY OF INOVA AND SHALL NOT BE COPIED, REPRODUCED, OR USED IN WHOLE OR IN PART, AS THE BASIS FOR THE MANUFACTURE OR SALE OF ITEMS WITHOUT THE WRITTEN PERMISSION FROM INOVA. THIS DRAWING IS BASED UPON THE LATEST AVAILABLE INFORMATION AND IS SUBJECT TO CHANGE WITHOUT NOTICE.

UNLESS OTHERWISE SPECIFIED
 X = ± 1
 X.X = ± 0.5
 X.XX = ± 0.30
 X.XXX = ± 0.130
 ANGULAR
 X = 1°
 .X = 0.5°
 .XX = 0.25°
 UNITS: mm [in]



DESCRIPTION:
SIMPLE FALT PANEL,
aaCMX bbCMX 25MM,CLEAR
FRAME, HOLLOW V2 10mm PC
PANEL

MATERIAL: PC+PLASTIC+AL FINISH: N/A

DEBURR AND BREAK SHARP
EDGES/CONTOURS AT 0.2mm MAX CLASS: N/A

DRAWING NO: INV12-PLaaHbb		REV NO: A
NAME		DATE
DRAWN BY: AMY ZHU		2024/2/1
APP. BY: SAM DING		2024/2/1
SCALE: 1:15	WEIGHT:	SHEET: 1 OF 1