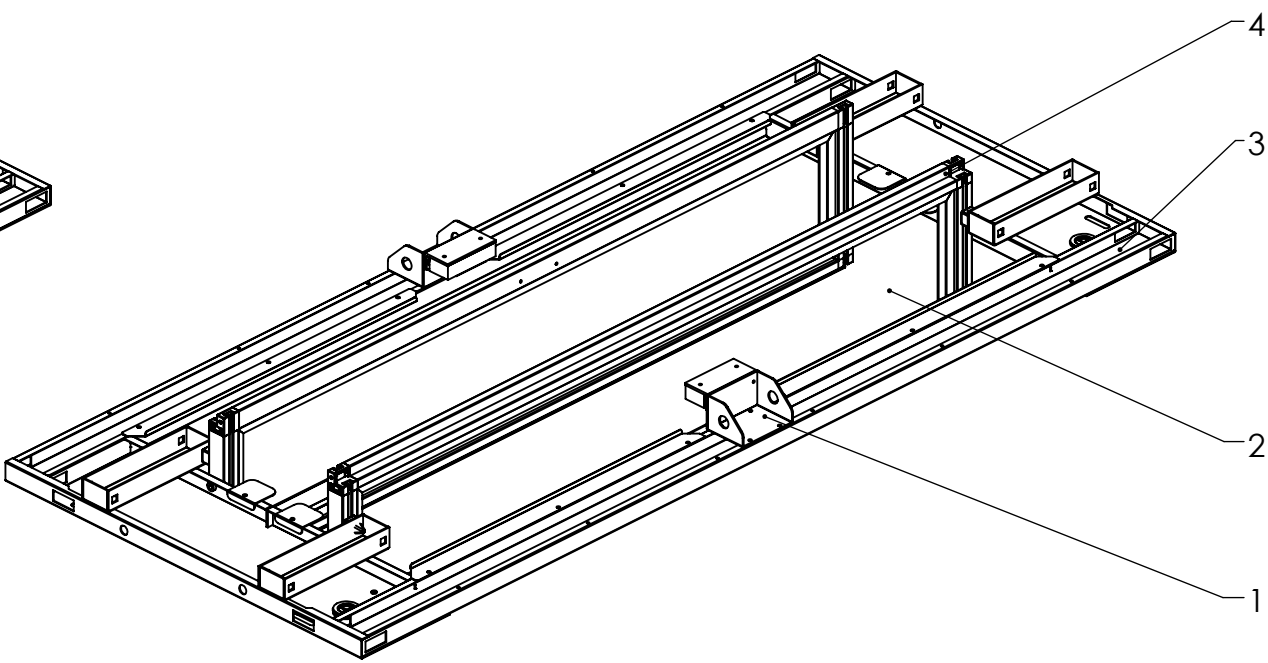
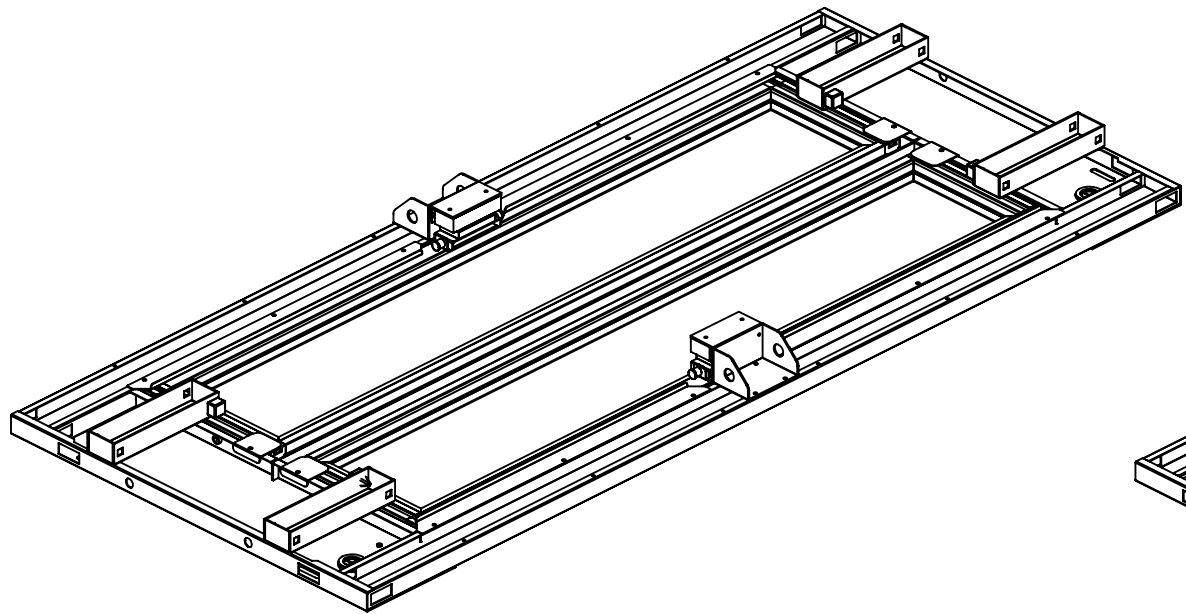


8 7 6 5 4 3 2 1

NOTES:

REVISIONS			
REV.	DESCRIPTION	DATE	APPROVED
A	FULL RELEASED	2024/2/5	CT



ITEM	DES.	MATERIAL
1	ELECTROMAGNET	/
2	10MM TWIN-WALL PC PANEL	PC
3	FIXED OUTER FRAME	SPCC
4	ROTATING INNER FRAME	ALUMINUM+PLASTIC

PROPRIETARY AND CONFIDENTIAL

THIS DRAWING AND ITS SPECIFICATIONS ARE THE PROPERTY OF INOVA AND SHALL NOT BE COPIED, REPRODUCED, OR USED IN WHOLE OR IN PART, AS THE BASIS FOR THE MANUFACTURE OR SALE OF ITEMS WITHOUT THE WRITTEN PERMISSION FROM INOVA. THIS DRAWING IS BASED UPON THE LATEST AVAILABLE INFORMATION AND IS SUBJECT TO CHANGE WITHOUT NOTICE.

UNLESS OTHERWISE SPECIFIED

X = ± 1
 X.X = ± 0.5
 X.XX = ± 0.30
 X.XXX = ± 0.130
 ANGULAR
 X = 1°
 .X = 0.5°
 .XX = 0.25°



UNITS: mm [in]



INTERPRET TO ASME Y14.100

DESCRIPTION:
 TILT CONTAINMENT CEILING, DOUBLE STYLE, W/ELECTROMAGNETIC, 600MM WIDTH, FOR 1200MM/1800MM AISLE.

MATERIAL: 1.2MM/2MM SPCC+ ALUMINUM+PC+RUBBER+PLASTIC FINISH: RAL 7035 TEXTURE - GREY RAL 9005 TEXTURE - BLACK RAL 9003 TEXTURE - WHITE

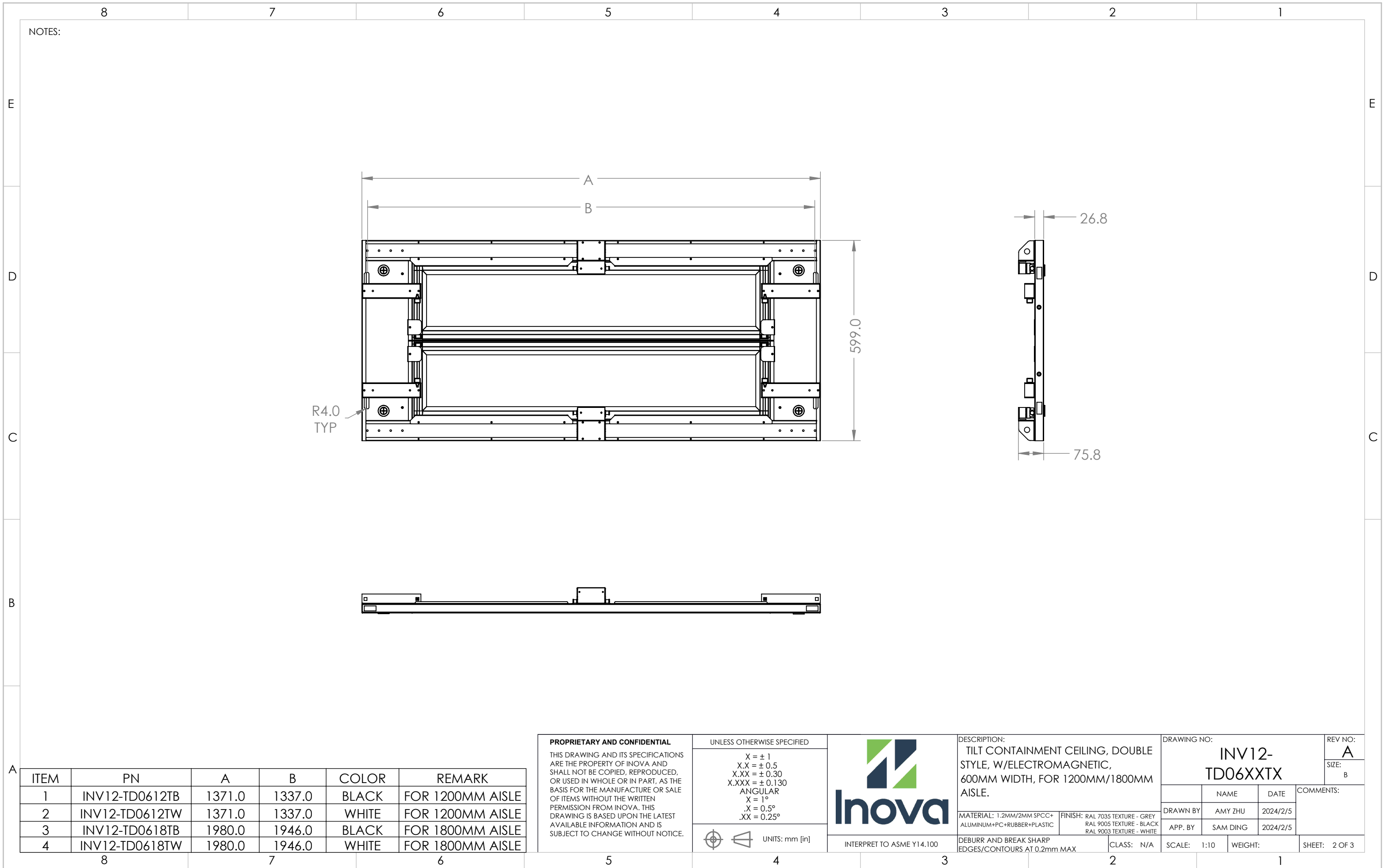
DEBURR AND BREAK SHARP EDGES/CONTOURS AT 0.2mm MAX CLASS: N/A

DRAWING NO: INV12-TD06XXTX REV NO: A SIZE: B

NAME	DATE	COMMENTS:
DRAWN BY: AMY ZHU	2024/2/5	
APP. BY: SAM DING	2024/2/5	

SCALE: 1:9 WEIGHT: SHEET: 1 OF 3

8 7 6 5 4 3 2 1



NOTES:

R4.0
TYP

ITEM	PN	A	B	COLOR	REMARK
1	INV12-TD0612TB	1371.0	1337.0	BLACK	FOR 1200MM AISLE
2	INV12-TD0612TW	1371.0	1337.0	WHITE	FOR 1200MM AISLE
3	INV12-TD0618TB	1980.0	1946.0	BLACK	FOR 1800MM AISLE
4	INV12-TD0618TW	1980.0	1946.0	WHITE	FOR 1800MM AISLE

PROPRIETARY AND CONFIDENTIAL

THIS DRAWING AND ITS SPECIFICATIONS ARE THE PROPERTY OF INOVA AND SHALL NOT BE COPIED, REPRODUCED, OR USED IN WHOLE OR IN PART, AS THE BASIS FOR THE MANUFACTURE OR SALE OF ITEMS WITHOUT THE WRITTEN PERMISSION FROM INOVA. THIS DRAWING IS BASED UPON THE LATEST AVAILABLE INFORMATION AND IS SUBJECT TO CHANGE WITHOUT NOTICE.

UNLESS OTHERWISE SPECIFIED

X = ± 1
 X.X = ± 0.5
 X.XX = ± 0.30
 X.XXX = ± 0.130
 ANGULAR
 X = 1°
 .X = 0.5°
 .XX = 0.25°



UNITS: mm [in]



INTERPRET TO ASME Y14.100

DESCRIPTION:
 TILT CONTAINMENT CEILING, DOUBLE STYLE, W/ELECTROMAGNETIC, 600MM WIDTH, FOR 1200MM/1800MM AISLE.

MATERIAL: 1.2MM/2MM SPCC+ ALUMINUM+PC+RUBBER+PLASTIC
 FINISH: RAL 7035 TEXTURE - GREY, RAL 9005 TEXTURE - BLACK, RAL 9003 TEXTURE - WHITE

DEBURR AND BREAK SHARP EDGES/CONTOURS AT 0.2mm MAX

CLASS: N/A

DRAWING NO:
INV12-TD06XXTX

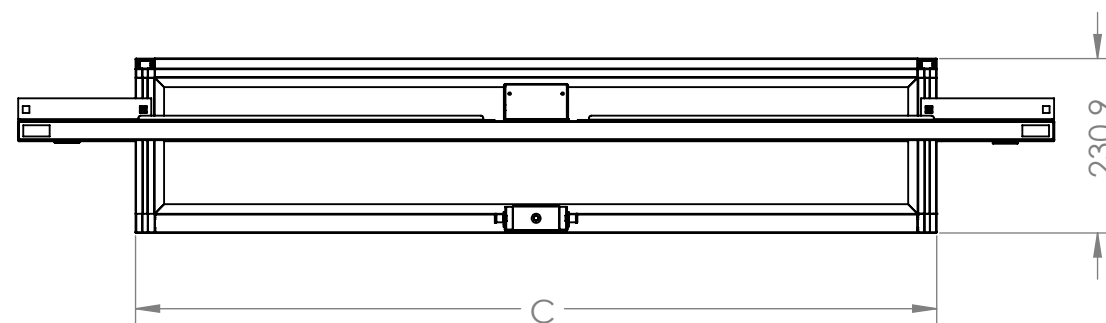
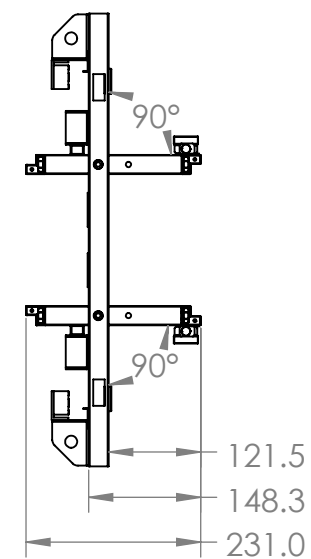
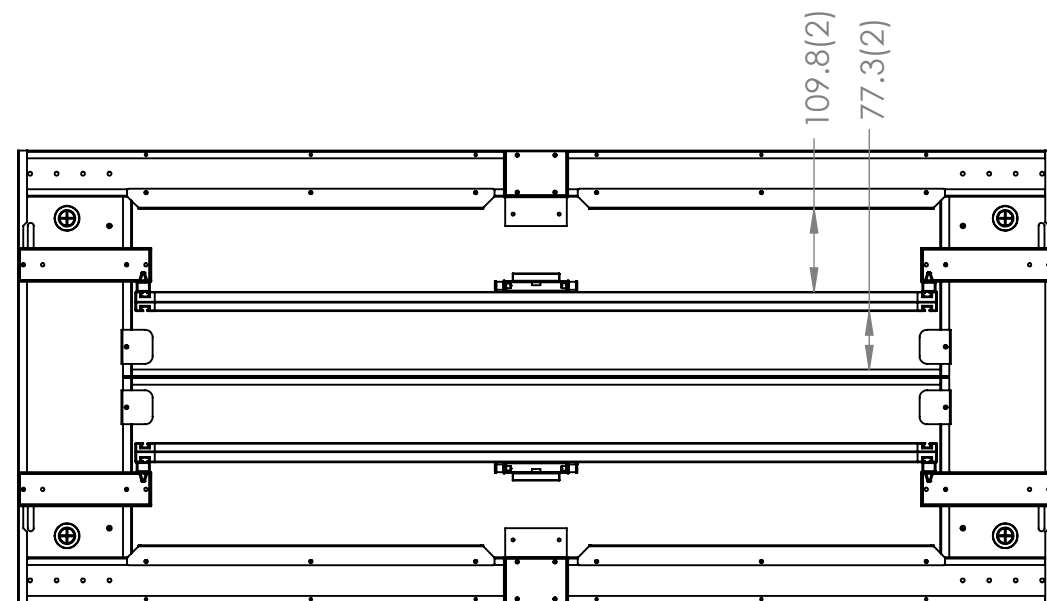
REV NO:
A
 SIZE:
 B

NAME	DATE
DRAWN BY: AMY ZHU	2024/2/5
APP. BY: SAM DING	2024/2/5

COMMENTS:
 SHEET: 2 OF 3

SCALE: 1:10 WEIGHT:

NOTES:



ITEM	PN	C
1	INV12-TD0612TB	1060.0
2	INV12-TD0612TW	1060.0
3	INV12-TD0618TB	1669.0
4	INV12-TD0618TW	1669.0

PROPRIETARY AND CONFIDENTIAL

THIS DRAWING AND ITS SPECIFICATIONS ARE THE PROPERTY OF INOVA AND SHALL NOT BE COPIED, REPRODUCED, OR USED IN WHOLE OR IN PART, AS THE BASIS FOR THE MANUFACTURE OR SALE OF ITEMS WITHOUT THE WRITTEN PERMISSION FROM INOVA. THIS DRAWING IS BASED UPON THE LATEST AVAILABLE INFORMATION AND IS SUBJECT TO CHANGE WITHOUT NOTICE.

UNLESS OTHERWISE SPECIFIED

X = ± 1
 X.X = ± 0.5
 X.XX = ± 0.30
 X.XXX = ± 0.130
 ANGULAR
 X = 1°
 .X = 0.5°
 .XX = 0.25°



INTERPRET TO ASME Y14.100

DESCRIPTION:
 TILT CONTAINMENT CEILING, DOUBLE STYLE, W/ELECTROMAGNETIC, 600MM WIDTH, FOR 1200MM/1800MM AISLE.

MATERIAL: 1.2MM/2MM SPCC+ ALUMINUM+PC+RUBBER+PLASTIC
 FINISH: RAL 7035 TEXTURE - GREY RAL 9005 TEXTURE - BLACK RAL 9003 TEXTURE - WHITE

DEBURR AND BREAK SHARP EDGES/CONTOURS AT 0.2mm MAX CLASS: N/A

DRAWING NO:
INV12-TD06XXTX

REV NO:
A
 SIZE:
 B

NAME	DATE
DRAWN BY: AMY ZHU	2024/2/5
APP. BY: SAM DING	2024/2/5

COMMENTS:
 SHEET: 3 OF 3

SCALE: 1:10 WEIGHT: