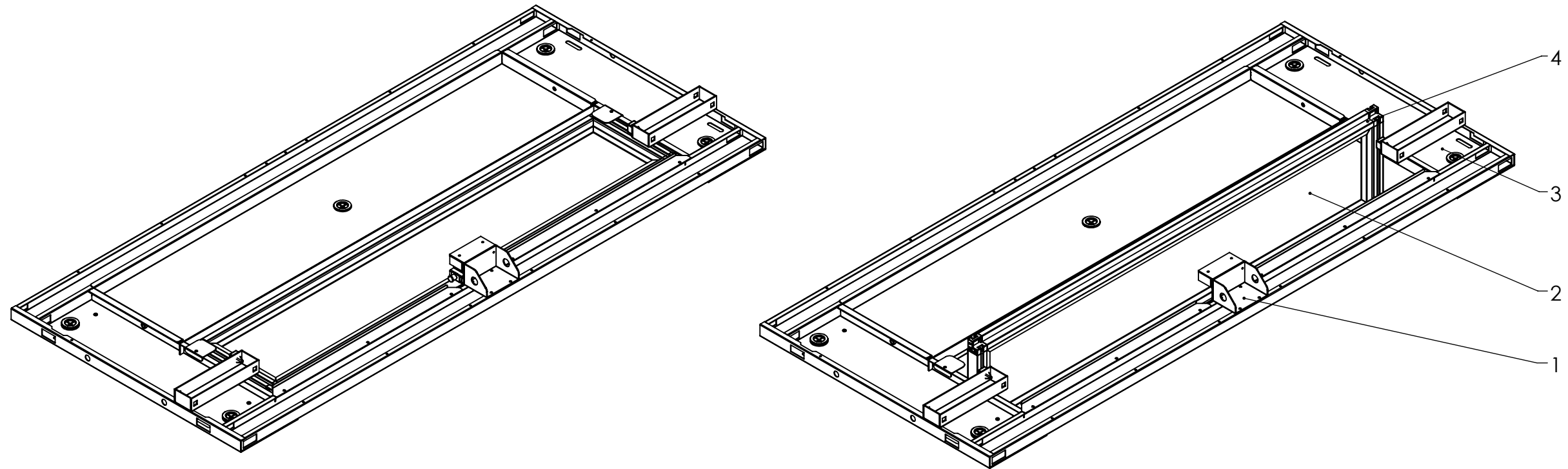


8 7 6 5 4 3 2 1

NOTES:

REVISIONS			
REV.	DESCRIPTION	DATE	APPROVED
A	FULL RELEASED	2024/2/6	CT



ITEM	DES.	MATERIAL
1	ELECTROMAGNET	/
2	10MM TWIN-WALL PC PANEL	PC
3	FIXED OUTER FRAME	SPCC
4	ROTATING INNER FRAME	ALUMINUM+PLASTIC

**PROPRIETARY AND CONFIDENTIAL**

THIS DRAWING AND ITS SPECIFICATIONS ARE THE PROPERTY OF INOVA AND SHALL NOT BE COPIED, REPRODUCED, OR USED IN WHOLE OR IN PART, AS THE BASIS FOR THE MANUFACTURE OR SALE OF ITEMS WITHOUT THE WRITTEN PERMISSION FROM INOVA. THIS DRAWING IS BASED UPON THE LATEST AVAILABLE INFORMATION AND IS SUBJECT TO CHANGE WITHOUT NOTICE.

UNLESS OTHERWISE SPECIFIED

X = ± 1  
 X.X = ± 0.5  
 X.XX = ± 0.30  
 X.XXX = ± 0.130  
 ANGULAR  
 X = 1°  
 .X = 0.5°  
 .XX = 0.25°



UNITS: mm [in]



INTERPRET TO ASME Y14.100

DESCRIPTION:  
 TILT CONTAINMENT CEILING,  
 SINGLE STYLE, W/ELECTROMAGNETIC,  
 600MM WIDTH, FOR 1200MM/1800MM  
 AISLE

MATERIAL: 1.2MM/2MM SPCC+ ALUMINUM+PC+RUBBER+PLASTIC  
 FINISH: RAL 7035 TEXTURE - GREY  
 RAL 9005 TEXTURE - BLACK  
 RAL 9003 TEXTURE - WHITE

DEBURR AND BREAK SHARP EDGES/CONTOURS AT 0.2mm MAX  
 CLASS: N/A

DRAWING NO:  
**INV12-  
 TS06XXTX**

REV NO:  
**A**  
 SIZE:  
 B

NAME	DATE	COMMENTS:
DRAWN BY: AMY ZHU	2024/2/6	
APP. BY: SAM DING	2024/2/6	

SCALE: 1:9 WEIGHT: SHEET: 1 OF 3

8 7 6 5 4 3 2 1

8 7 6 5 4 3 2 1

NOTES:

E

E

D

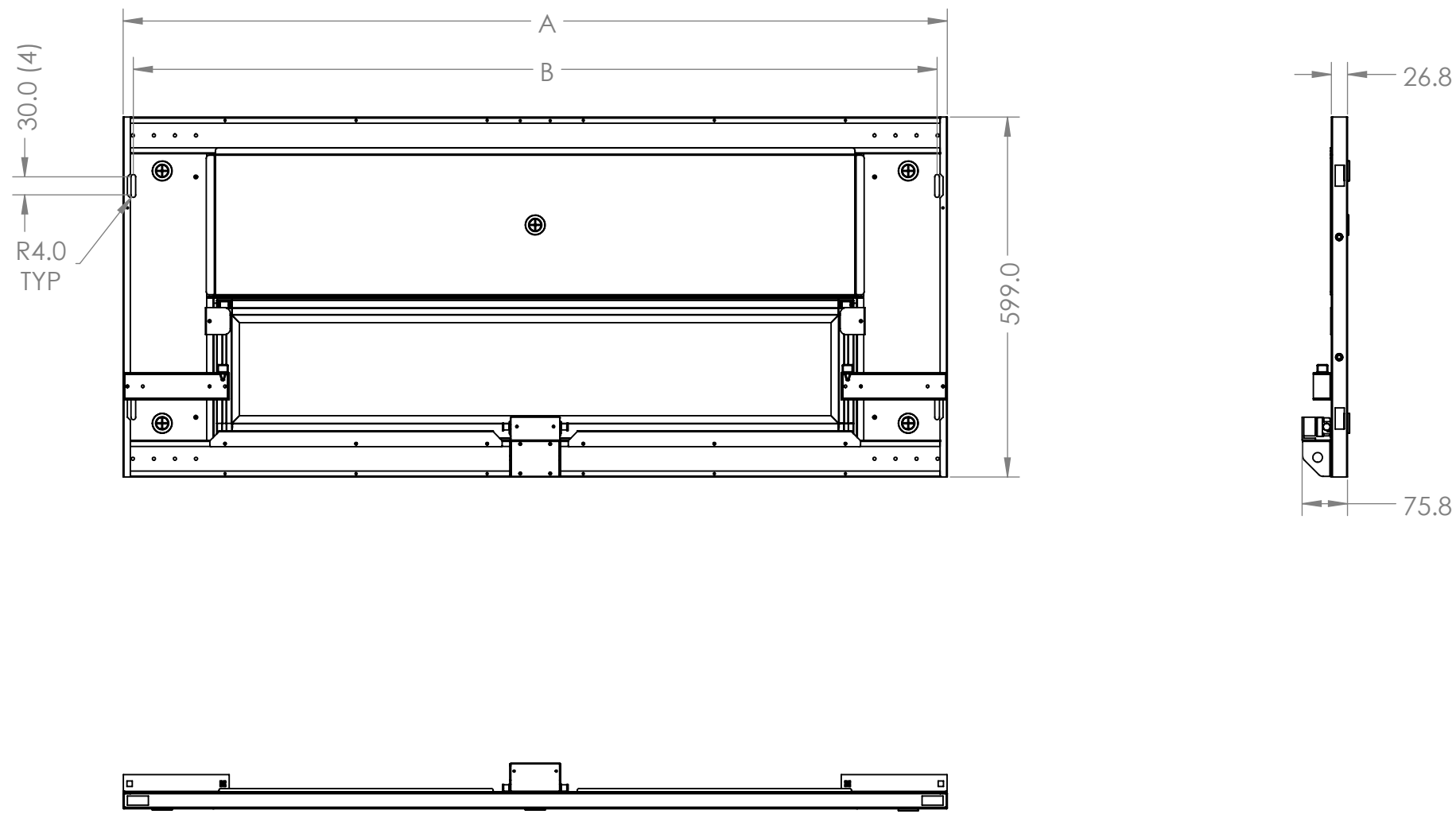
D

C

C

B

A



ITEM	PN	A	B	COLOR	REMARK
1	INV12-TS0612TB	1371.0	1337.0	BLACK	FOR 1200MM AISLE
2	INV12-TS0612TW	1371.0	1337.0	WHITE	FOR 1200MM AISLE
3	INV12-TS0618TB	1980.0	1946.0	BLACK	FOR 1800MM AISLE
4	INV12-TS0618TW	1980.0	1946.0	WHITE	FOR 1800MM AISLE

**PROPRIETARY AND CONFIDENTIAL**

THIS DRAWING AND ITS SPECIFICATIONS ARE THE PROPERTY OF INOVA AND SHALL NOT BE COPIED, REPRODUCED, OR USED IN WHOLE OR IN PART, AS THE BASIS FOR THE MANUFACTURE OR SALE OF ITEMS WITHOUT THE WRITTEN PERMISSION FROM INOVA. THIS DRAWING IS BASED UPON THE LATEST AVAILABLE INFORMATION AND IS SUBJECT TO CHANGE WITHOUT NOTICE.

UNLESS OTHERWISE SPECIFIED

X = ± 1  
 X.X = ± 0.5  
 X.XX = ± 0.30  
 X.XXX = ± 0.130  
 ANGULAR  
 X = 1°  
 .X = 0.5°  
 .XX = 0.25°



INTERPRET TO ASME Y14.100

DESCRIPTION:  
 TILT CONTAINMENT CEILING,  
 SINGLE STYLE, W/ELECTROMAGNETIC,  
 600MM WIDTH, FOR 1200MM/1800MM  
 AISLE

MATERIAL: 1.2MM/2MM SPCC+ ALUMINUM+PC+RUBBER+PLASTIC FINISH: RAL 7035 TEXTURE - GREY RAL 9005 TEXTURE - BLACK RAL 9003 TEXTURE - WHITE

DEBURR AND BREAK SHARP EDGES/CONTOURS AT 0.2mm MAX

CLASS: N/A

DRAWING NO:  
**INV12-TS06XXTX**

REV NO:  
**A**  
 SIZE:  
 B

NAME	DATE	COMMENTS:
DRAWN BY: AMY ZHU	2024/2/6	
APP. BY: SAM DING	2024/2/6	

SCALE: 1:10 WEIGHT: SHEET: 2 OF 3

8

7

6

5

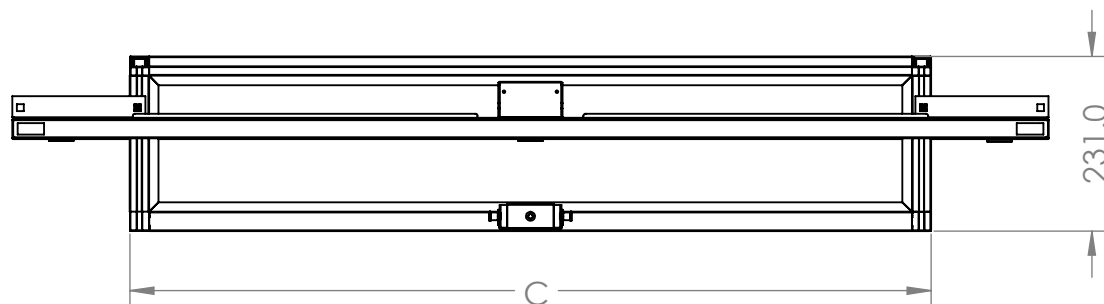
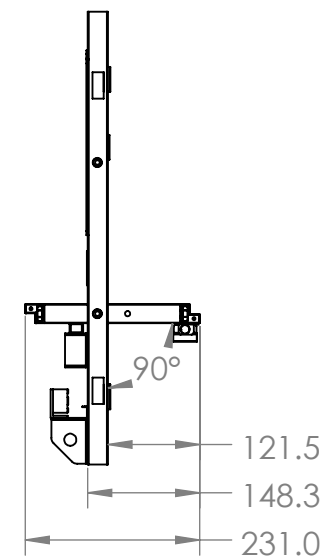
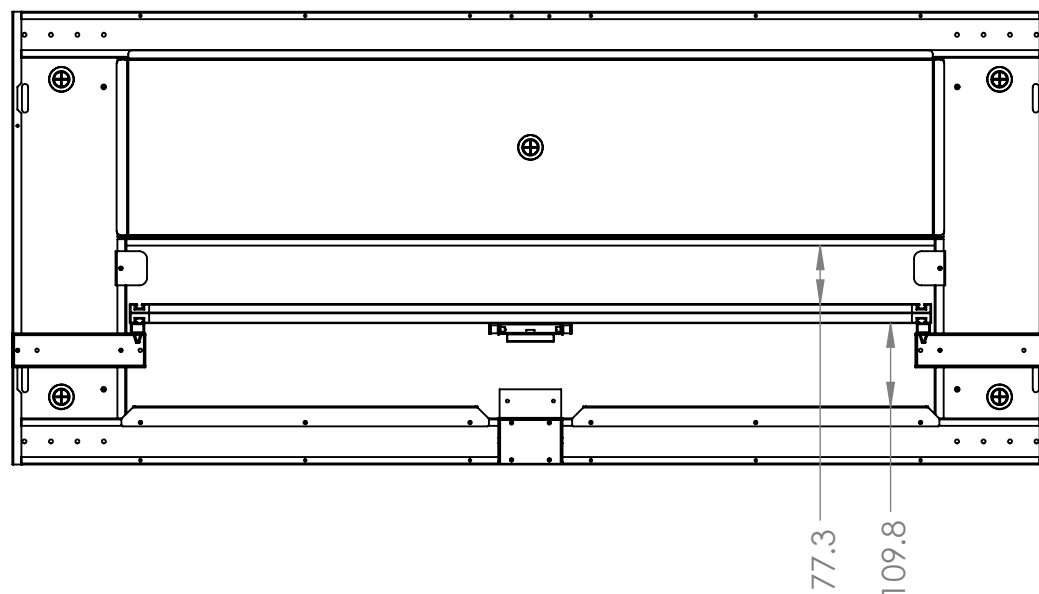
4

3

2

1

NOTES:



ITEM	PN	C
1	INV12-TS0612TB	1060.0
2	INV12-TS0612TW	1060.0
3	INV12-TS0618TB	1669.0
4	INV12-TS0618TW	1669.0

**PROPRIETARY AND CONFIDENTIAL**

THIS DRAWING AND ITS SPECIFICATIONS ARE THE PROPERTY OF INOVA AND SHALL NOT BE COPIED, REPRODUCED, OR USED IN WHOLE OR IN PART, AS THE BASIS FOR THE MANUFACTURE OR SALE OF ITEMS WITHOUT THE WRITTEN PERMISSION FROM INOVA. THIS DRAWING IS BASED UPON THE LATEST AVAILABLE INFORMATION AND IS SUBJECT TO CHANGE WITHOUT NOTICE.

UNLESS OTHERWISE SPECIFIED

X = ± 1  
 X.X = ± 0.5  
 X.XX = ± 0.30  
 X.XXX = ± 0.130  
 ANGULAR  
 X = 1°  
 .X = 0.5°  
 .XX = 0.25°



INTERPRET TO ASME Y14.100

DESCRIPTION:  
 TILT CONTAINMENT CEILING,  
 SINGLE STYLE, W/ELECTROMAGNETIC,  
 600MM WIDTH, FOR 1200MM/1800MM  
 AISLE

MATERIAL: 1.2MM/2MM SPCC+ ALUMINUM+PC+RUBBER+PLASTIC  
 FINISH: RAL 7035 TEXTURE - GREY  
 RAL 9005 TEXTURE - BLACK  
 RAL 9003 TEXTURE - WHITE

DEBURR AND BREAK SHARP EDGES/CONTOURS AT 0.2mm MAX CLASS: N/A

DRAWING NO:  
**INV12-TS06XXTX**

REV NO:  
**A**  
 SIZE:  
**B**

NAME	DATE	COMMENTS:
DRAWN BY: AMY ZHU	2024/2/6	
APP. BY: SAM DING	2024/2/6	

SCALE: 1:10 WEIGHT: SHEET: 3 OF 3