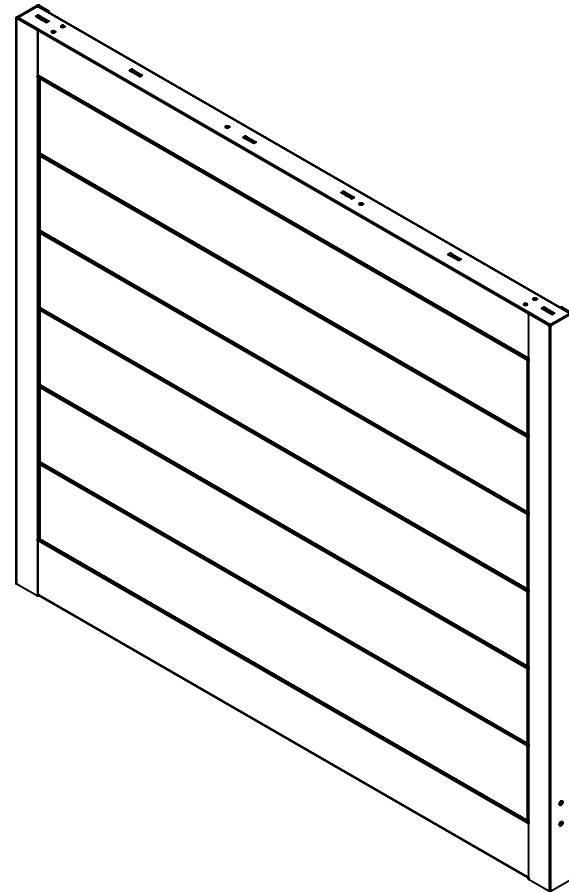
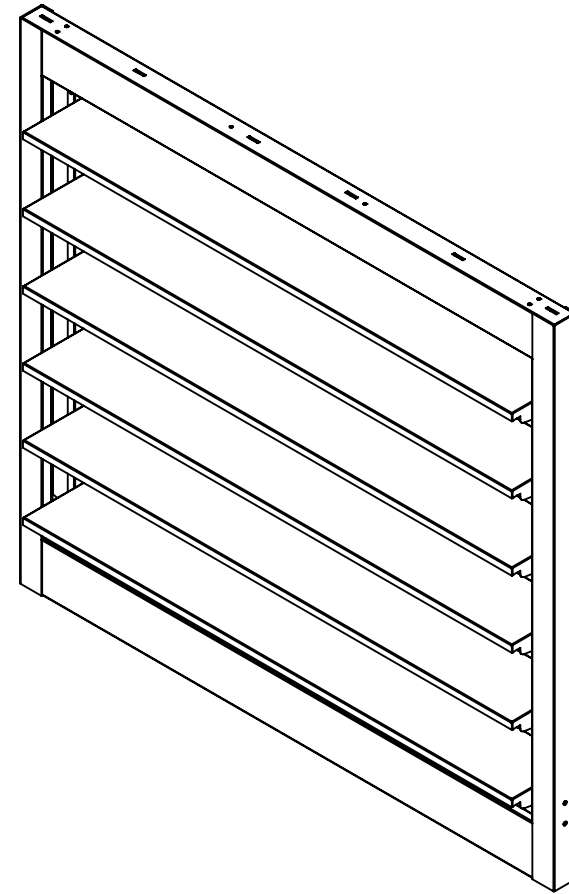


NOTES:

REVISIONS			
REV.	DESCRIPTION	DATE	APPROVED
A	FULL RELEASED	2024/2/1	CT



CLOSED



OPEN

PROPRIETARY AND CONFIDENTIAL

THIS DRAWING AND ITS SPECIFICATIONS ARE THE PROPERTY OF INOVA AND SHALL NOT BE COPIED, REPRODUCED, OR USED IN WHOLE OR IN PART, AS THE BASIS FOR THE MANUFACTURE OR SALE OF ITEMS WITHOUT THE WRITTEN PERMISSION FROM INOVA. THIS DRAWING IS BASED UPON THE LATEST AVAILABLE INFORMATION AND IS SUBJECT TO CHANGE WITHOUT NOTICE.

UNLESS OTHERWISE SPECIFIED

X = ± 1
 X.X = ± 0.5
 X.XX = ± 0.30
 X.XXX = ± 0.130
 ANGULAR
 X = 1°
 .X = 0.5°
 .XX = 0.25°



INTERPRET TO ASME Y14.100

DESCRIPTION:
 LOUVER PANEL, FOR ENCLOSING
 HOT AISLES,
 1190MMX92.5MMX1100MM.
 INPUT 24V DC. BLACK

MATERIAL:
 CRS FINISH: RAL 7035 TEXTURE - GREY
 RAL 9005 TEXTURE - BLACK
 RAL 9003 TEXTURE - WHITE

DEBURR AND BREAK SHARP
 EDGES/CONTOURS AT 0.2mm MAX CLASS:

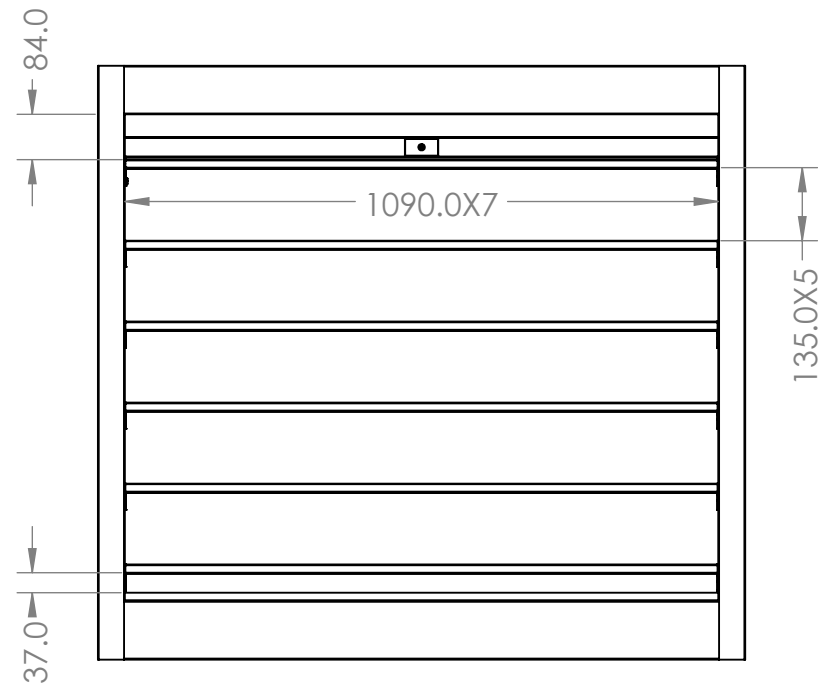
DRAWING NO: INV12-V0612B REV NO: A

SIZE: B

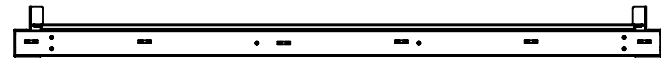
NAME	DATE	COMMENTS:
DRAWN BY: AMY ZHU	2024/2/1	
APP. BY: SAM DING	2024/2/1	

SCALE: 1:12 WEIGHT: SHEET: 1 OF 2

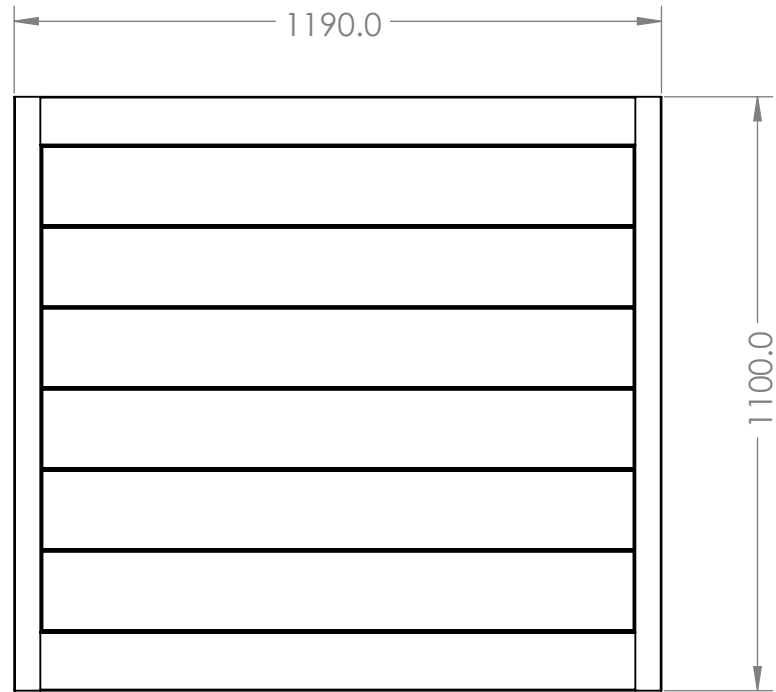
NOTES:



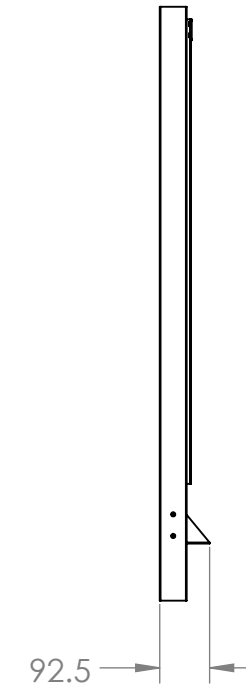
FRONT VIEW
(OPEN)



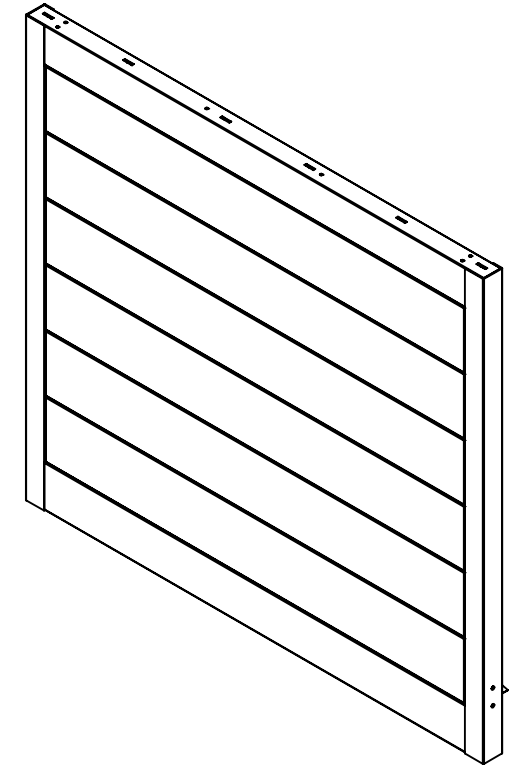
TOP VIEW
(CLOSE)



FRONT VIEW
(CLOSE)



SIDE VIEW
(CLOSE)



<p>PROPRIETARY AND CONFIDENTIAL</p> <p>THIS DRAWING AND ITS SPECIFICATIONS ARE THE PROPERTY OF INOVA AND SHALL NOT BE COPIED, REPRODUCED, OR USED IN WHOLE OR IN PART, AS THE BASIS FOR THE MANUFACTURE OR SALE OF ITEMS WITHOUT THE WRITTEN PERMISSION FROM INOVA. THIS DRAWING IS BASED UPON THE LATEST AVAILABLE INFORMATION AND IS SUBJECT TO CHANGE WITHOUT NOTICE.</p>	<p>UNLESS OTHERWISE SPECIFIED</p> <p>X = ± 1 X.X = ± 0.5 X.XX = ± 0.30 X.XXX = ± 0.130</p> <p>ANGULAR X = 1° .X = 0.5° .XX = 0.25°</p>			<p>DESCRIPTION: LOUVER PANEL, FOR ENCLOSING HOT AISLES, 1190MMX92.5MMX1100MM. INPUT 24V DC. BLACK</p>		<p>DRAWING NO: INV12-V0612B</p>		<p>REV NO: A</p>	
	<p>UNITS: mm [in]</p>			<p>DEBURR AND BREAK SHARP EDGES/CONTOURS AT 0.2mm MAX</p>		<p>CLASS:</p>		<p>SCALE: 1:10</p>	<p>WEIGHT:</p>
	<p>INTERPRET TO ASME Y14.100</p>			<p>MATERIAL: CRS</p>		<p>FINISH: RAL 7035 TEXTURE - GREY RAL 9005 TEXTURE - BLACK RAL 9003 TEXTURE - WHITE</p>		<p>COMMENTS:</p>	
	<p>APP. BY: SAM DING</p>			<p>DATE: 2024/2/1</p>		<p>DRAWN BY: AMY ZHU</p>		<p>DATE: 2024/2/1</p>	