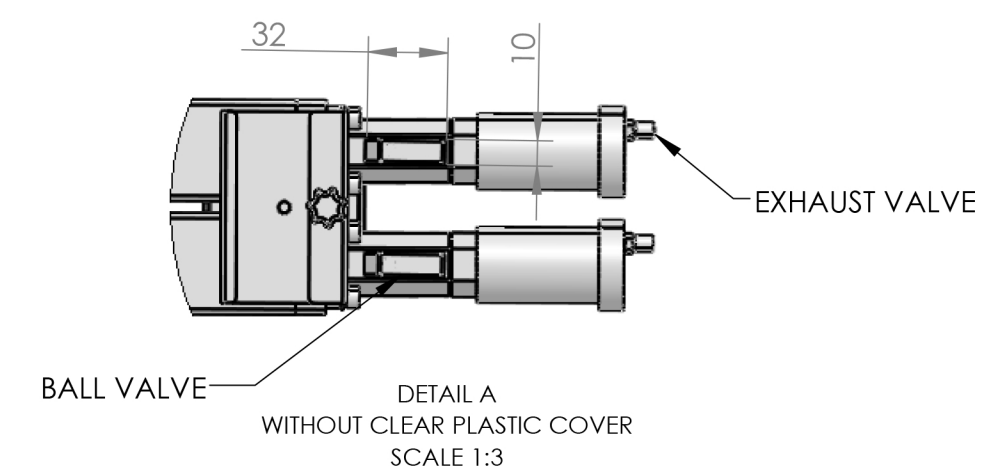
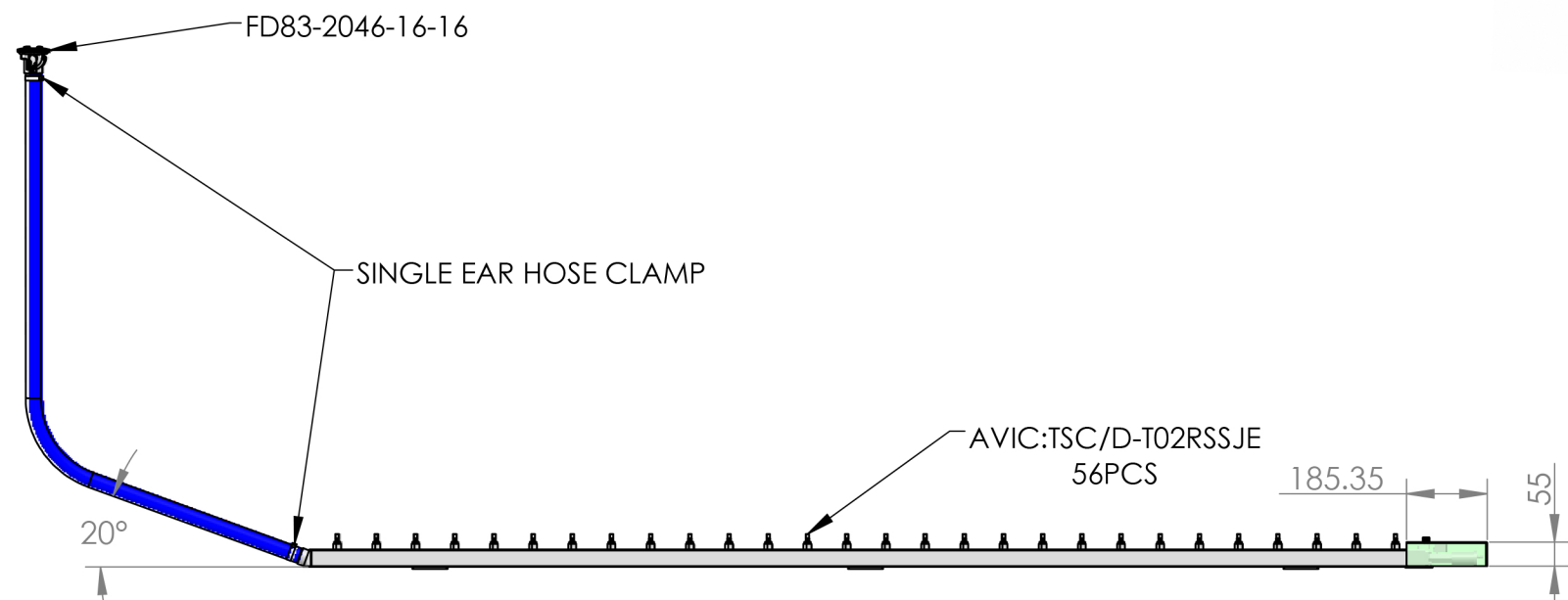
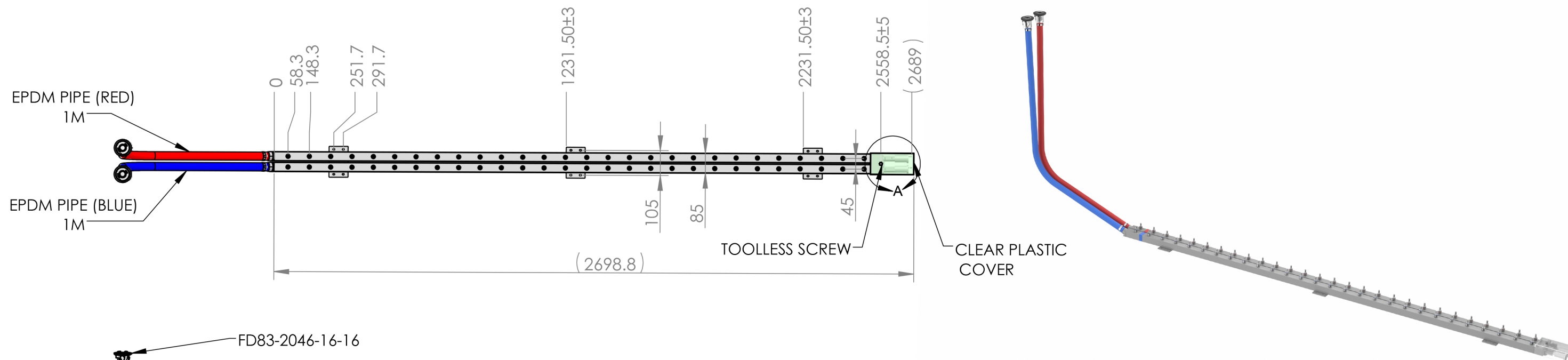


NOTES:

REVISIONS			
REV.	DESCRIPTION	DATE	APPROVED
A	FULL RELEASED	2023/11/10	SA



PROPRIETARY AND CONFIDENTIAL
 THIS DRAWING AND ITS SPECIFICATIONS ARE THE PROPERTY OF INOVA AND SHALL NOT BE COPIED, REPRODUCED, OR USED IN WHOLE OR IN PART, AS THE BASIS FOR THE MANUFACTURE OR SALE OF ITEMS WITHOUT THE WRITTEN PERMISSION FROM INOVA. THIS DRAWING IS BASED UPON THE LATEST AVAILABLE INFORMATION AND IS SUBJECT TO CHANGE WITHOUT NOTICE.

UNLESS OTHERWISE SPECIFIED
 X = ± 1
 X.X = ± 0.5
 X.XX = ± 0.30
 X.XXX = ± 0.130
 ANGULAR
 X = 1°
 .X = 0.5°
 .XX = 0.25°

Inova

MATERIAL:
 BODY MATERIAL: SUS304

DESCRIPTION:
 MANIFOLD, BODY SIZE 2700mm X 80mm X 83mm, HOSE SIZE 1000mm, W/ 28 PAIR OF JONHON CONNECTORS, W/ 2 FD83 CONNECTOR, W/ HOT SWAPPABLE AIR RELIEF AND COVER.

	NAME	DATE
DRAWN BY	SAM DING	2023/11/10
APP. BY	CARSON TAO	2023/11/10

FINISH:
 SURFACE TREATMENT:
 PASSIVATION

CLASS:
 N/A

DEBURR AND BREAK SHARP EDGES/CONTOURS AT 0.2mm MAX

SIZE:
 B

DRAWING NO:
INV22-28001

REV NO:
A

SCALE: 1:17 WEIGHT: SHEET: 1 OF 1

UNITS: mm [in]

INTERPRET TO ASME Y14.100