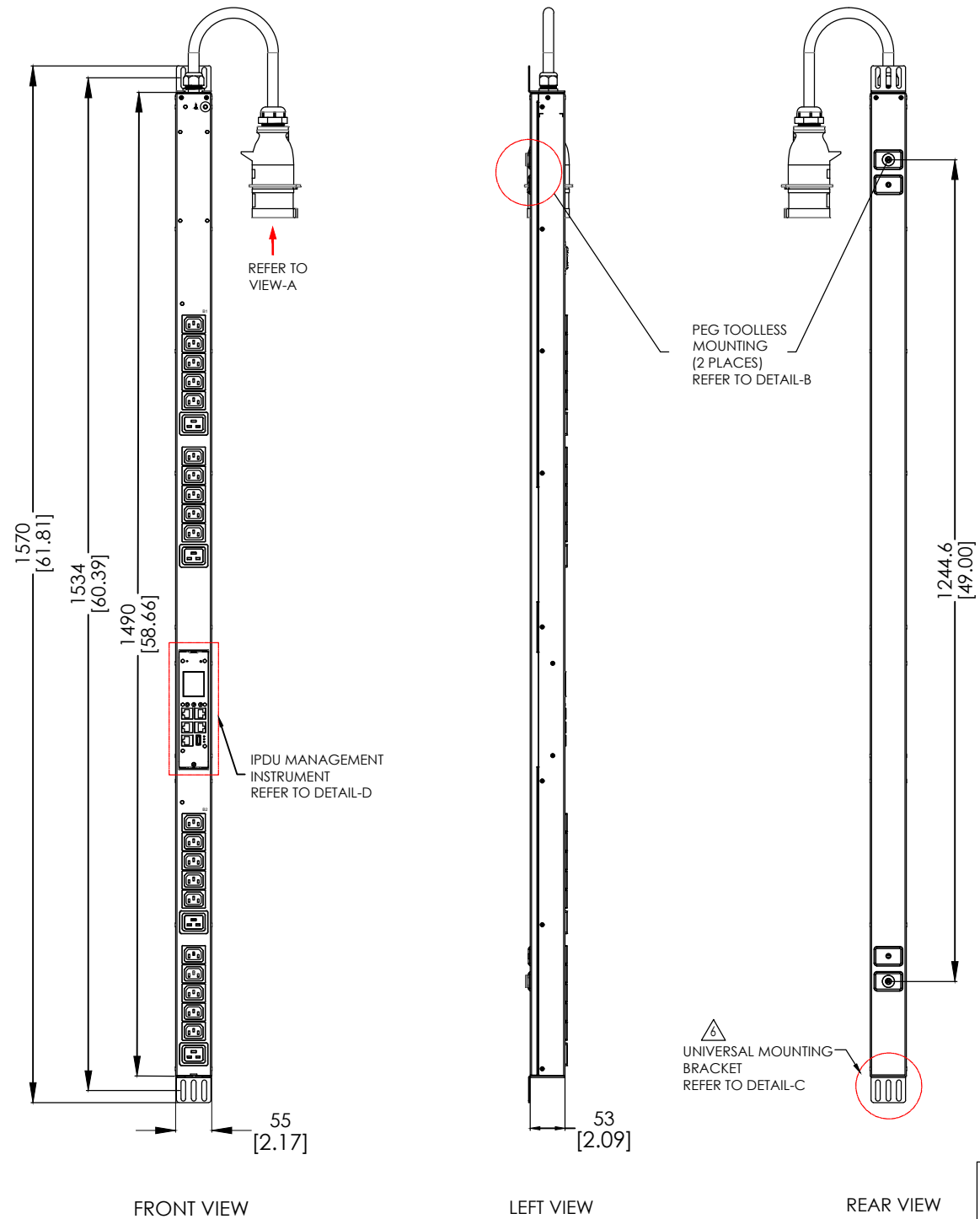
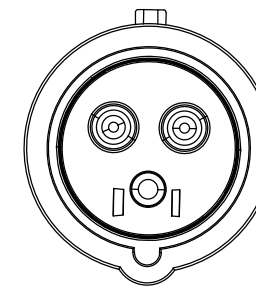


NOTES:

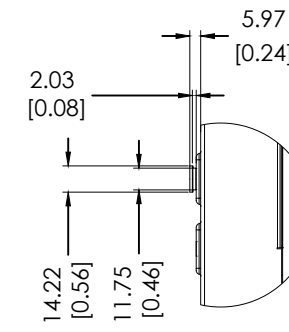
1. INSTALLATION SHALL COMPLY WITH ALL APPLICABLE NATIONAL, STATE AND LOCAL ELECTRICAL CODES.
 2. REFER TO PRODUCT DOCUMENTATION FOR ADDITIONAL DETAILS PRIOR TO INSTALLATION AND PREPARATION WORK.
 3. UNLESS OTHERWISE SPECIFIED, ALL DIMENSIONS ARE IN MILLIMETERS [INCHES].
 4. NET WEIGHT OF UNITE IS 16.53 lb [7.5 kg].
 5. LENGTH OF THE CORD IS 118 INCHES [3000MM].
- ⚠ UNIVERSAL MOUNTING BRACKET IS AN ALTERNATIVE MOUNTING METHOD TO THE TOOL LESS MOUNT FOR 3RD PARTY ENCLOSURES, BRACKET IS PROVIDED WITH THE UNIT.



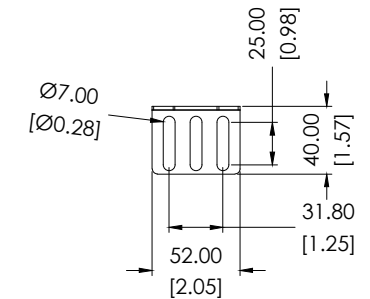
REVISIONS			
REV.	DESCRIPTION	DATE	APPROVED
A	FULL RELEASED	2025.3.12	CT



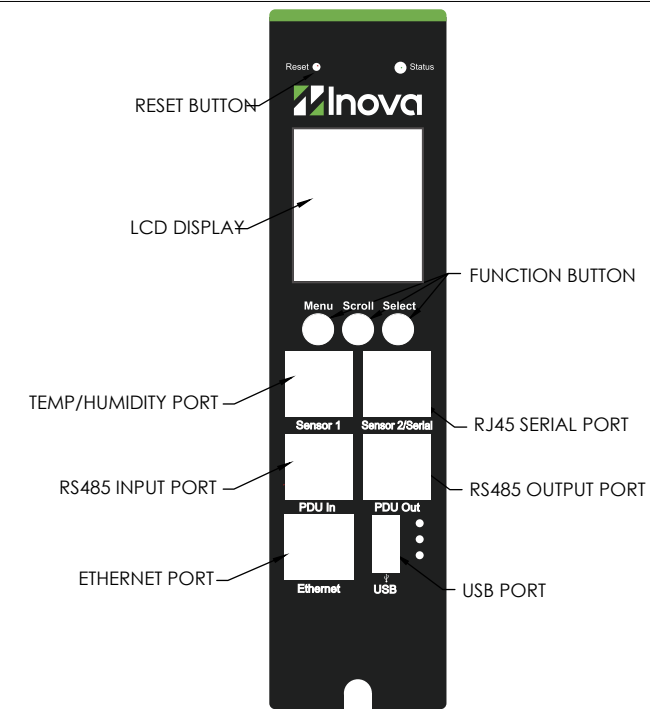
VIEW A
IEC 60309 16A
2P+E 6H PLUG
ENLARGED VIEW



DETAIL B
PEG TOOL LESS MOUNTING
ENLARGED VIEW



DETAIL C
UNIVERSAL MOUNTING BRACKET
ENLARGED VIEW



DETAIL D
IPDU MANAGEMET INSTRUMENT
ENLARGED VIEW

PROPRIETARY AND CONFIDENTIAL
 THIS DRAWING AND ITS SPECIFICATIONS ARE THE PROPERTY OF INOVA AND SHALL NOT BE COPIED, REPRODUCED, OR USED IN WHOLE OR IN PART, AS THE BASIS FOR THE MANUFACTURE OR SALE OF ITEMS WITHOUT THE WRITTEN PERMISSION FROM INOVA. THIS DRAWING IS BASED UPON THE LATEST AVAILABLE INFORMATION AND IS SUBJECT TO CHANGE WITHOUT NOTICE.

UNLESS OTHERWISE SPECIFIED

- X = ± 1
- X.X = ± 0.5
- X.XX = ± 0.30
- X.XXX = ± 0.130
- ANGULAR
- X = 1°
- .X = 0.5°
- .XX = 0.25°



UNITS: mm [in]



INTERPRET TO ASME Y14.100

DESCRIPTION:
 Metered Input PDU_MI-1P-16A-IEC
 Socket+C13(10A)*20+C19(16A)*4-IEC 60309
 2P+E 6h 16A (IP44)Plug-3X2.5mm*3m

MATERIAL: N/A

FINISH: N/A

DEBURR AND BREAK SHARP EDGES/CONTOURS AT 0.2mm MAX

CLASS: N/A

DRAWING NO: M1S0016-24N10FTSE0

REV NO: A

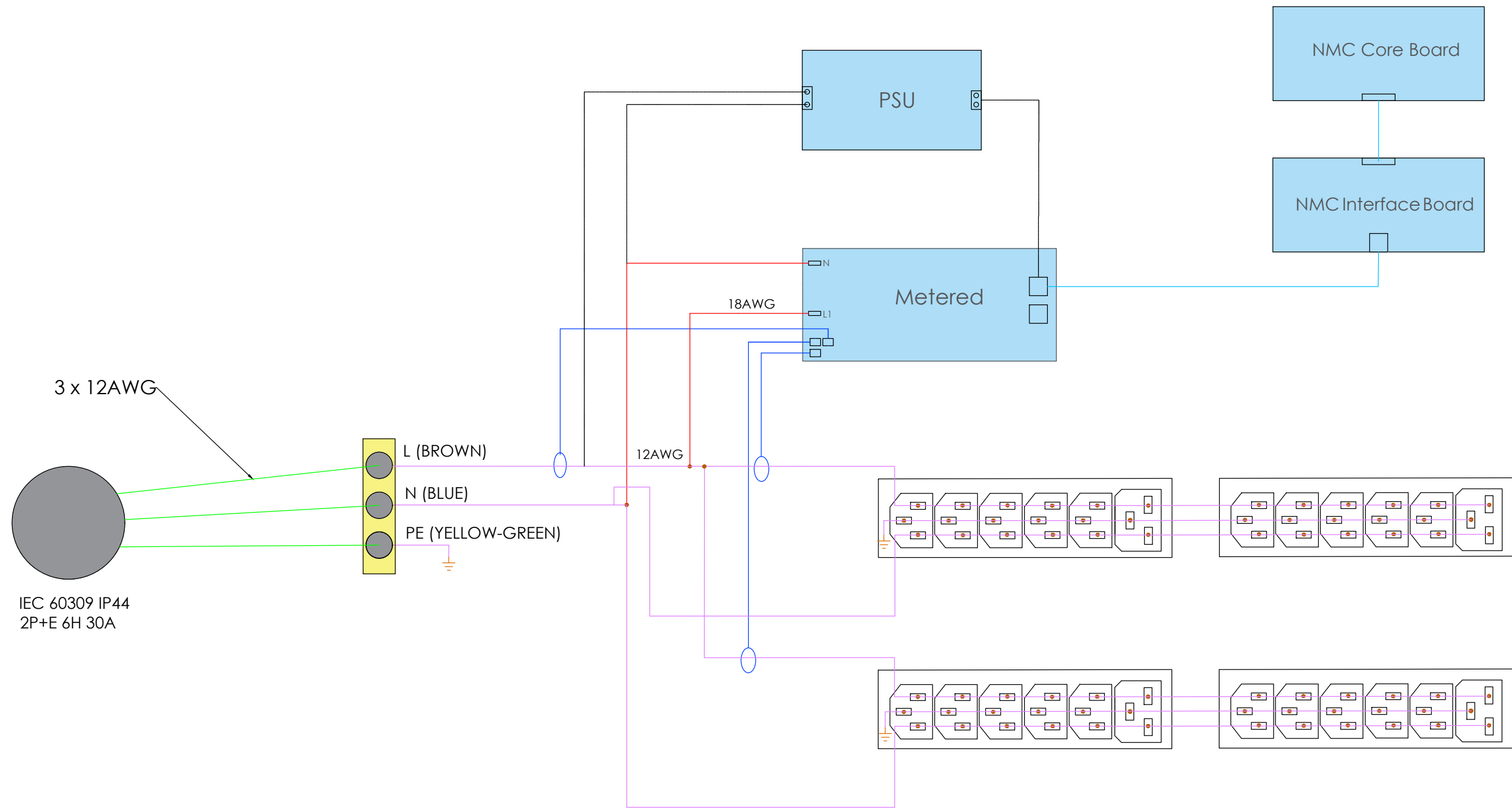
SIZE: B

NAME	DATE	COMMENTS:
DRAWN BY: AMY ZHU	2025/3/12	
APP. BY: JOHAN ZUO	2025/3/12	

SCALE: N/A WEIGHT: SHEET: 1 OF 2

NOTES:

1. INSTALLATION SHALL COMPLY WITH ALL APPLICABLE NATIONAL, STATE AND LOCAL ELECTRICAL CODES.
2. REFER TO PRODUCT DOCUMENTATION FOR ADDITIONAL DETAILS PRIOR TO INSTALLATION AND PREPARATION WORK.
3. THIS DRAWING DEPICTS THE POWER SYSTEM CONNECTIONS AND IS NOT REPRESENTATIVE OF THE PHYSICAL LAYOUT. PLEASE REFER TO MECHANICAL DRAWINGS FOR PHYSICAL LAYOUT.



PROPRIETARY AND CONFIDENTIAL
 THIS DRAWING AND ITS SPECIFICATIONS ARE THE PROPERTY OF INOVA AND SHALL NOT BE COPIED, REPRODUCED, OR USED IN WHOLE OR IN PART, AS THE BASIS FOR THE MANUFACTURE OR SALE OF ITEMS WITHOUT THE WRITTEN PERMISSION FROM INOVA. THIS DRAWING IS BASED UPON THE LATEST AVAILABLE INFORMATION AND IS SUBJECT TO CHANGE WITHOUT NOTICE.

UNLESS OTHERWISE SPECIFIED
 X = ± 1
 X.X = ± 0.5
 X.XX = ± 0.30
 X.XXX = ± 0.130
 ANGULAR
 X = 1°
 .X = 0.5°
 .XX = 0.25°



DESCRIPTION:
 Metered Input PDU_MI-1P-16A-IEC
 Socket-C13(10A)*20+C19(16A)*4-IEC 60309
 2P+E 6h 16A (IP44)Plug-3X2.5mm*3m

MATERIAL: N/A FINISH: N/A

DEBURR AND BREAK SHARP EDGES/CONTOURS AT 0.2mm MAX

DRAWING NO: M1S0016-24N10FTSE0		REV NO: A
NAME		DATE
DRAWN BY AMY ZHU		2025/3/12
APP. BY JOHAN ZUO		2025/3/12
CLASS: N/A	SCALE: N/A	WEIGHT:
SHEET: 2 OF 2		

UNITS: mm [in]

INTERPRET TO ASME Y14.100

CLASS: N/A

SCALE: N/A

WEIGHT:

SHEET: 2 OF 2