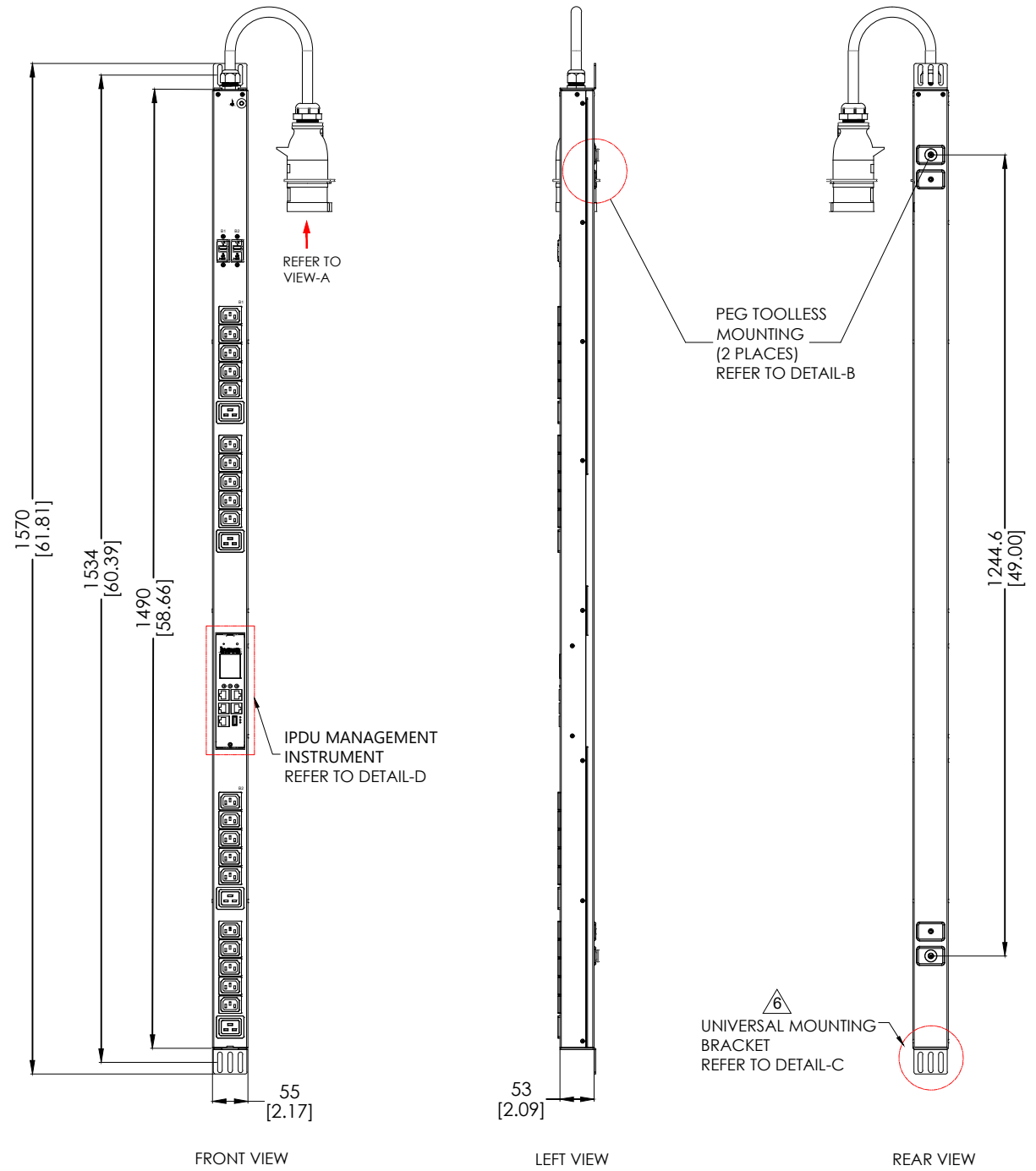
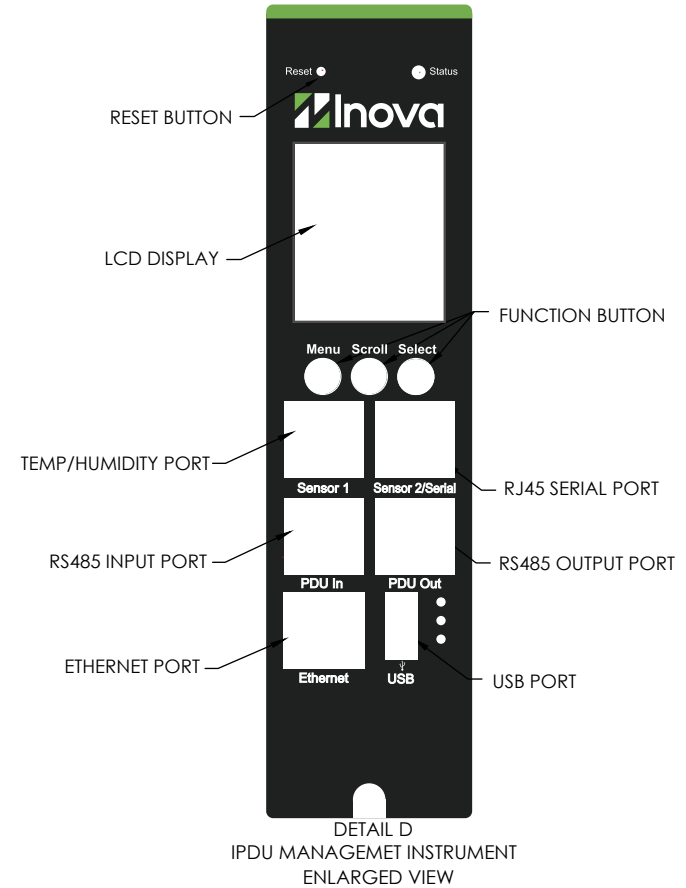
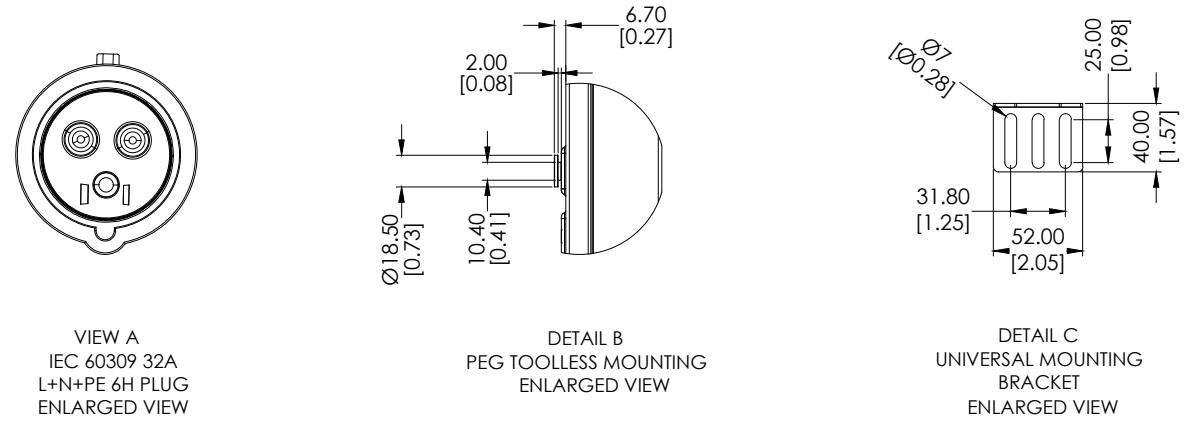


NOTES:

1. INSTALLATION SHALL COMPLY WITH ALL APPLICABLE NATIONAL, STATE AND LOCAL ELECTRICAL CODES.
 2. REFER TO PRODUCT DOCUMENTATION FOR ADDITIONAL DETAILS PRIOR TO INSTALLATION AND PREPARATION WORK.
 3. UNLESS OTHERWISE SPECIFIED, ALL DIMENSIONS ARE IN MILLIMETERS [INCHES].
 4. NET WEIGHT OF UNITE IS 12.13 lb [5.5 kg].
 5. LENGTH OF THE CORD IS 118 INCHES [3000 MM]
- ⚠ UNIVERSAL MOUNTING BRACKET IS AN ALTERNATIVE MOUNTING METHOD TO THE TOOL LESS MOUNT FOR 3RD PARTY ENCLOSURES, BRACKET IS PROVIDED WITH THE UNIT.



REVISIONS			
REV.	DESCRIPTION	DATE	APPROVED
A	FULL RELEASED	2025.3.12	CT



PROPRIETARY AND CONFIDENTIAL
 THIS DRAWING AND ITS SPECIFICATIONS ARE THE PROPERTY OF INOVA AND SHALL NOT BE COPIED, REPRODUCED, OR USED IN WHOLE OR IN PART, AS THE BASIS FOR THE MANUFACTURE OR SALE OF ITEMS WITHOUT THE WRITTEN PERMISSION FROM INOVA. THIS DRAWING IS BASED UPON THE LATEST AVAILABLE INFORMATION AND IS SUBJECT TO CHANGE WITHOUT NOTICE.

UNLESS OTHERWISE SPECIFIED

X = ± 1
 X.X = ± 0.5
 X.XX = ± 0.30
 X.XXX = ± 0.130

ANGULAR
 X = 1°
 .X = 0.5°
 .XX = 0.25°

UNITS: mm [in]



DESCRIPTION:
 Metered Input PDU_MI-1P-32A-IEC Socket-C13(10A) *20+C19(16A) *4-Magnetic Circuit Breaker*2-IEC 60309 2P+E 6h 32A (IP44)Plug-3X6.0mm*3

MATERIAL: N/A FINISH: N/A

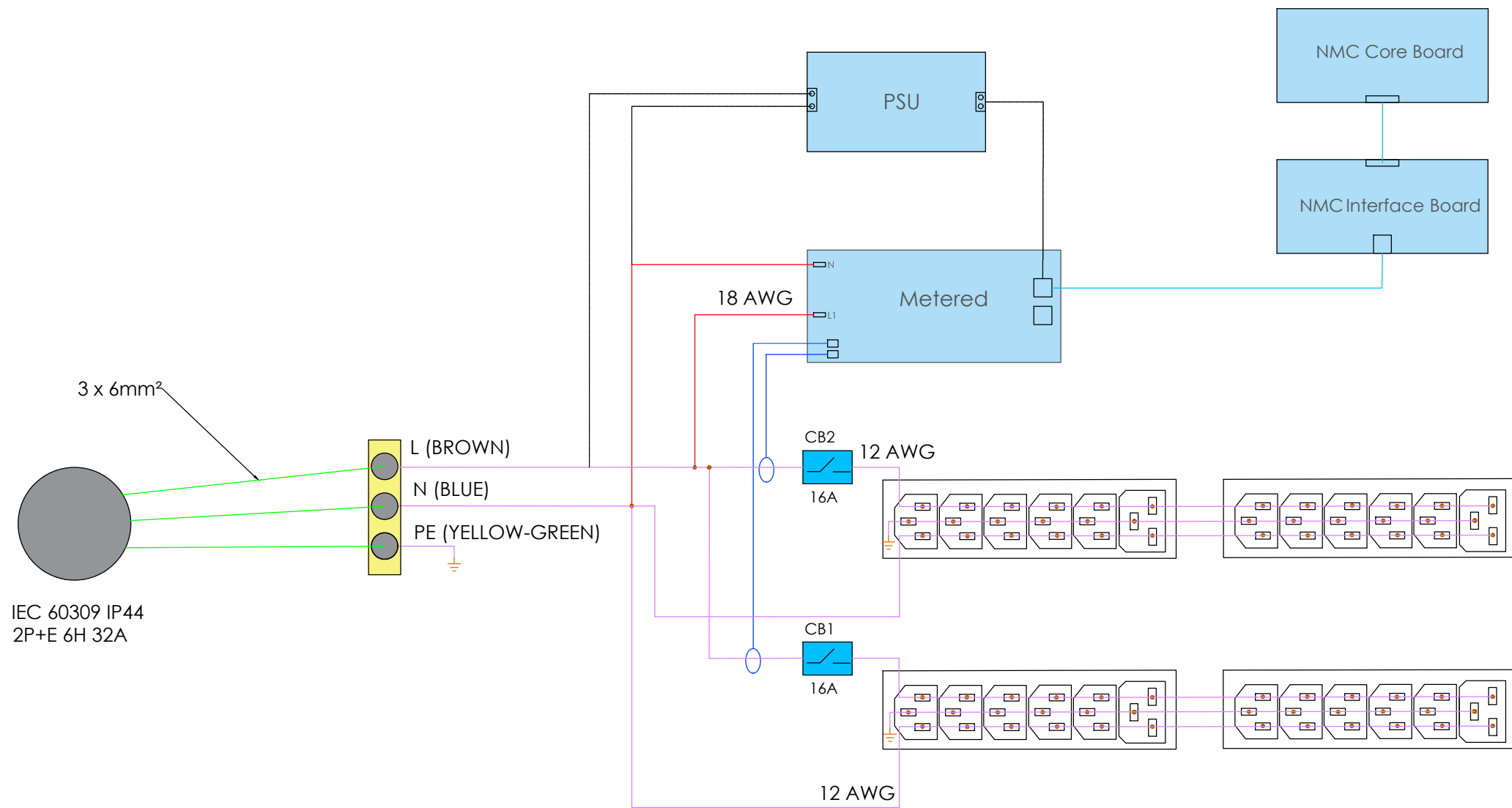
DRAWING NO: M1S0032-24C10ATSE0		REV NO: A
NAME	DATE	COMMENTS:
DRAWN BY AMY ZHU	2025/3/12	
APP. BY JOHAN ZUO	2025/3/12	
SCALE: N/A	WEIGHT:	SHEET: 1 OF 2

DEBURR AND BREAK SHARP EDGES/CONTOURS AT 0.2mm MAX CLASS: N/A

INTERPRET TO ASME Y14.100

NOTES:

1. INSTALLATION SHALL COMPLY WITH ALL APPLICABLE NATIONAL, STATE AND LOCAL ELECTRICAL CODES.
2. REFER TO PRODUCT DOCUMENTATION FOR ADDITIONAL DETAILS PRIOR TO INSTALLATION AND PREPARATION WORK.
3. THIS DRAWING DEPICTS THE POWER SYSTEM CONNECTIONS AND IS NOT REPRESENTATIVE OF THE PHYSICAL LAYOUT. PLEASE REFER TO MECHANICAL DRAWINGS FOR PHYSICAL LAYOUT.



PROPRIETARY AND CONFIDENTIAL
 THIS DRAWING AND ITS SPECIFICATIONS ARE THE PROPERTY OF INOVA AND SHALL NOT BE COPIED, REPRODUCED, OR USED IN WHOLE OR IN PART, AS THE BASIS FOR THE MANUFACTURE OR SALE OF ITEMS WITHOUT THE WRITTEN PERMISSION FROM INOVA. THIS DRAWING IS BASED UPON THE LATEST AVAILABLE INFORMATION AND IS SUBJECT TO CHANGE WITHOUT NOTICE.

UNLESS OTHERWISE SPECIFIED
 X = ± 1
 X.X = ± 0.5
 X.XX = ± 0.30
 X.XXX = ± 0.130
 ANGULAR
 X = 1°
 .X = 0.5°
 .XX = 0.25°



DESCRIPTION:
 Metered Input PDU_MI-1P-32A-IEC
 Socket-C13(10A) *20+C19(16A)
 *4-Magnetic Circuit Breaker*2-IEC 60309
 2P+E 6h 32A (IP44)Plug-3X6.0mm*3

MATERIAL: N/A FINISH: N/A

DEBURR AND BREAK SHARP EDGES/CONTOURS AT 0.2mm MAX

DRAWING NO: M1S0032-24C10ATSE0		REV NO: A
NAME	DATE	COMMENTS:
DRAWN BY AMY ZHU	2025/3/12	
APP. BY JOHAN ZUO	2025/3/12	
SCALE: N/A	WEIGHT:	SHEET: 2 OF 2

UNITS: mm [in]

INTERPRET TO ASME Y14.100

CLASS: N/A