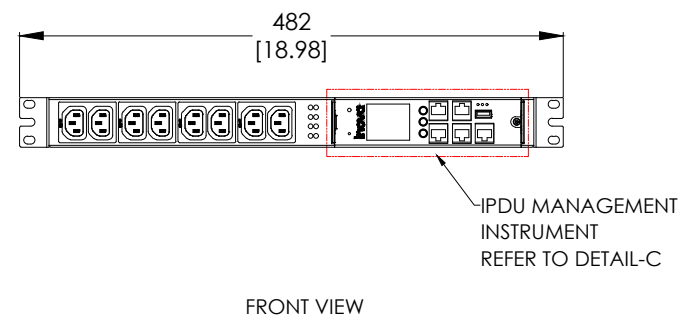
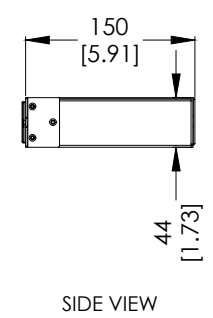
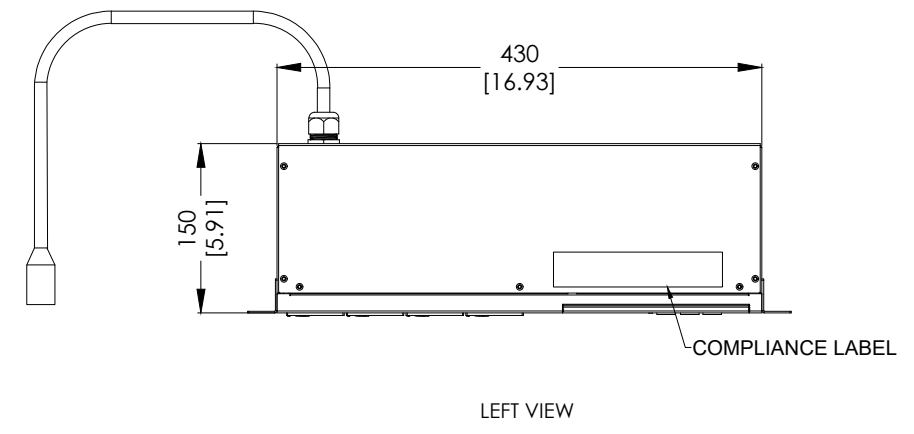
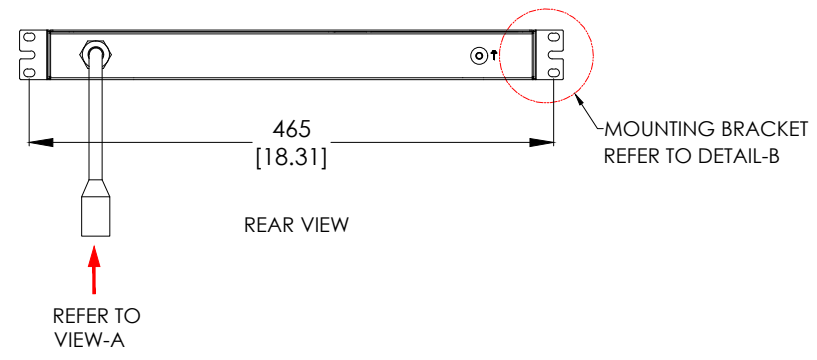
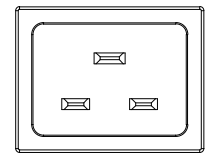


NOTES:

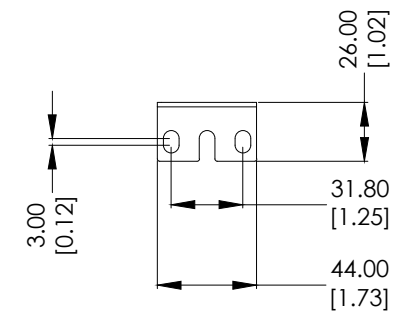
1. INSTALLATION SHALL COMPLY WITH ALL APPLICABLE NATIONAL, STATE AND LOCAL ELECTRICAL CODES.
2. REFER TO PRODUCT DOCUMENTATION FOR ADDITIONAL DETAILS PRIOR TO INSTALLATION AND PREPARATION WORK.
3. UNLESS OTHERWISE SPECIFIED, ALL DIMENSIONS ARE IN MILLIMETERS [INCHES].
4. NET WEIGHT OF UNITE IS 5.51 lb [2.5 kg].
5. LENGTH OF THE CORD IS 118 INCHES [3000MM].



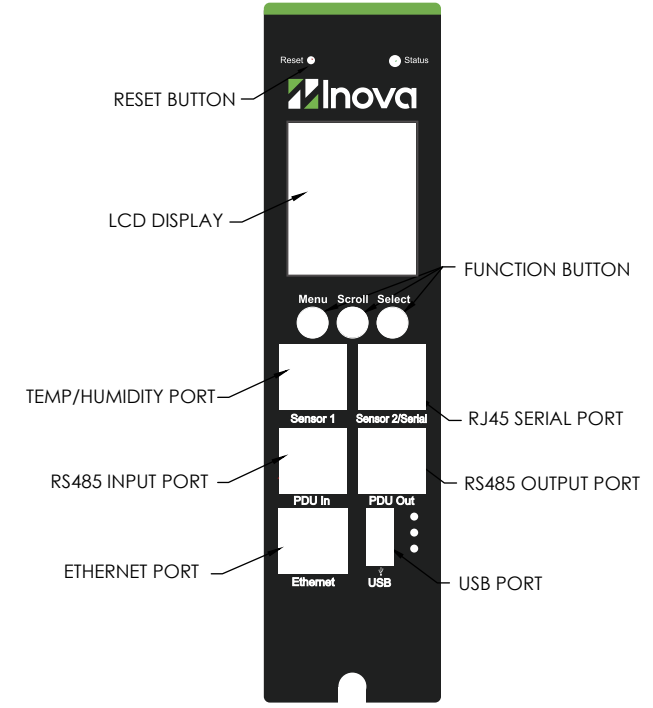
REVISIONS			
REV.	DESCRIPTION	DATE	APPROVED
A	FULL RELEASED	2025.3.13	CT



VIEW A
IEC 60320/C20
16A, 250V MAX. RATED INPUT
ENLARGED VIEW



DETAIL B
MOUNTING BRACKET
ENLARGED VIEW



DETAIL C
IPDU MANAGEMENT INSTRUMENT
ENLARGED VIEW

PROPRIETARY AND CONFIDENTIAL
THIS DRAWING AND ITS SPECIFICATIONS ARE THE PROPERTY OF INOVA AND SHALL NOT BE COPIED, REPRODUCED, OR USED IN WHOLE OR IN PART, AS THE BASIS FOR THE MANUFACTURE OR SALE OF ITEMS WITHOUT THE WRITTEN PERMISSION FROM INOVA. THIS DRAWING IS BASED UPON THE LATEST AVAILABLE INFORMATION AND IS SUBJECT TO CHANGE WITHOUT NOTICE.

UNLESS OTHERWISE SPECIFIED
X = ± 1
X.X = ± 0.5
X.XX = ± 0.30
X.XXX = ± 0.130
ANGULAR
X = 1°
.X = 0.5°
.XX = 0.25°



DESCRIPTION:
Metered Switch PDU; Single Phase; Input current Max 016A; Plug IEC C20 Plug With Input Power Cord, 3 meters; C13(8); Not lockable, w/o CB; Sheet Metal; Black; 1U Horizontal; 1Gbps Network Card.

MATERIAL: N/A FINISH: N/A

DRAWING NO: M2S0016-08N10QRSE1
REV NO: A
SIZE: B

NAME	DATE	COMMENTS:
DRAWN BY: AMY ZHU	2025/3/13	
APP. BY: JOHAN ZUO	2025/3/13	

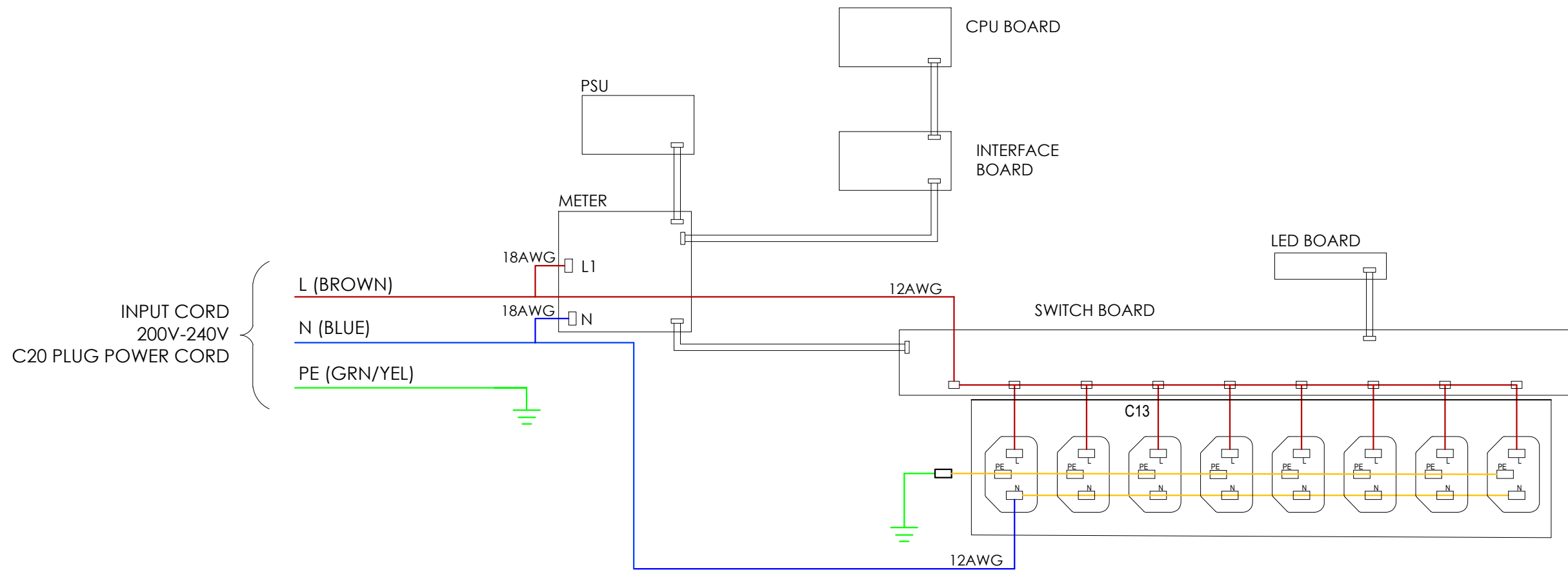
DEBURR AND BREAK SHARP EDGES/CONTOURS AT 0.2mm MAX CLASS: N/A SCALE: N/A WEIGHT: SHEET: 1 OF 2

UNITS: mm [in]

INTERPRET TO ASME Y14.100

NOTES:

1. INSTALLATION SHALL COMPLY WITH ALL APPLICABLE NATIONAL, STATE AND LOCAL ELECTRICAL CODES.
2. REFER TO PRODUCT DOCUMENTATION FOR ADDITIONAL DETAILS PRIOR TO INSTALLATION AND PREPARATION WORK.
3. THIS DRAWING DEPICTS THE POWER SYSTEM CONNECTIONS AND IS NOT REPRESENTATIVE OF THE PHYSICAL LAYOUT. PLEASE REFER TO MECHANICAL DRAWINGS FOR PHYSICAL LAYOUT.



PROPRIETARY AND CONFIDENTIAL THIS DRAWING AND ITS SPECIFICATIONS ARE THE PROPERTY OF INOVA AND SHALL NOT BE COPIED, REPRODUCED, OR USED IN WHOLE OR IN PART, AS THE BASIS FOR THE MANUFACTURE OR SALE OF ITEMS WITHOUT THE WRITTEN PERMISSION FROM INOVA. THIS DRAWING IS BASED UPON THE LATEST AVAILABLE INFORMATION AND IS SUBJECT TO CHANGE WITHOUT NOTICE.	UNLESS OTHERWISE SPECIFIED X = ± 1 X.X = ± 0.5 X.XX = ± 0.30 X.XXX = ± 0.130 ANGULAR X = 1° .X = 0.5° .XX = 0.25°		DESCRIPTION: Metered Switch PDU; Single Phase; Input current Max 016A; Plug IEC C20 Plug With Input Power Cord, 3 meters; C13(8); Not lockable, w/o CB; Sheet Metal; Black; 1U Horizontal; 1Gbps Network Card.	DRAWING NO: M2S0016-08N10QRSE1		REV NO: A
	UNITS: mm [in]			MATERIAL: N/A FINISH: N/A		NAME: AMY ZHU DATE: 2025/3/13 COMMENTS:
INTERPRET TO ASME Y14.100			DEBURR AND BREAK SHARP EDGES/CONTOURS AT 0.2mm MAX	CLASS: N/A	SCALE: N/A WEIGHT:	SHEET: 2 OF 2