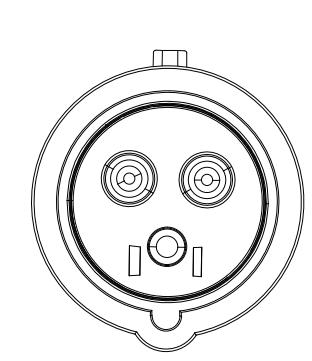
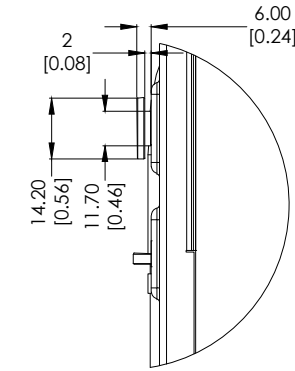


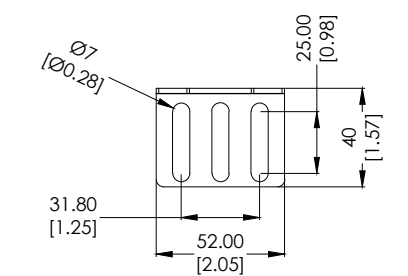
REVISIONS			
REV.	DESCRIPTION	DATE	APPROVED
A	FULL RELEASED	2025.3.13	CT



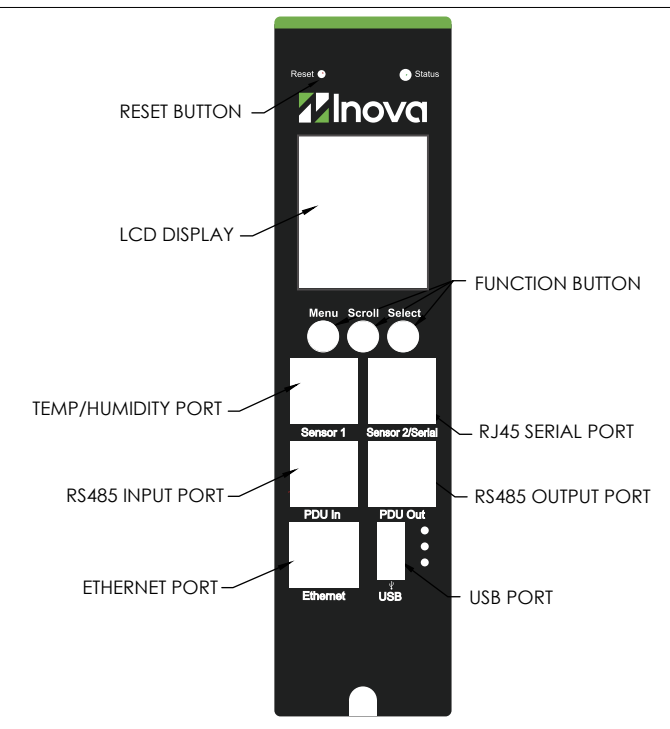
VIEW A  
 IEC 60309 32A  
 2P+E 6H PLUG  
 ENLARGED VIEW



DETAIL B  
 PEG TOOL LESS MOUNTING  
 ENLARGED VIEW



DETAIL C  
 UNIVERSAL MOUNTING BRACKET  
 ENLARGED VIEW



DETAIL D  
 IPDU MANAGEMENT INSTRUMENT  
 ENLARGED VIEW

PROPRIETARY AND CONFIDENTIAL  
 THIS DRAWING AND ITS SPECIFICATIONS ARE THE PROPERTY OF INOVA AND SHALL NOT BE COPIED, REPRODUCED, OR USED IN WHOLE OR IN PART, AS THE BASIS FOR THE MANUFACTURE OR SALE OF ITEMS WITHOUT THE WRITTEN PERMISSION FROM INOVA. THIS DRAWING IS BASED UPON THE LATEST AVAILABLE INFORMATION AND IS SUBJECT TO CHANGE WITHOUT NOTICE.

UNLESS OTHERWISE SPECIFIED

X = ± 1  
 X.X = ± 0.5  
 X.XX = ± 0.30  
 X.XXX = ± 0.130  
 ANGULAR  
 X = 1°  
 .X = 0.5°  
 .XX = 0.25°

UNITS: mm [in]



DESCRIPTION:  
 Single Phase; Input current Max 032A; With Input Power Cord 3meters; IEC 60309 32A 2P+E, 6h, IP44 plug Installed C13(20),C19(4);Not lockable, w/ CB; No SPD, No Rocker Switch; Sheet Metal; Black; OU Vertical;1 Gbps Network Card

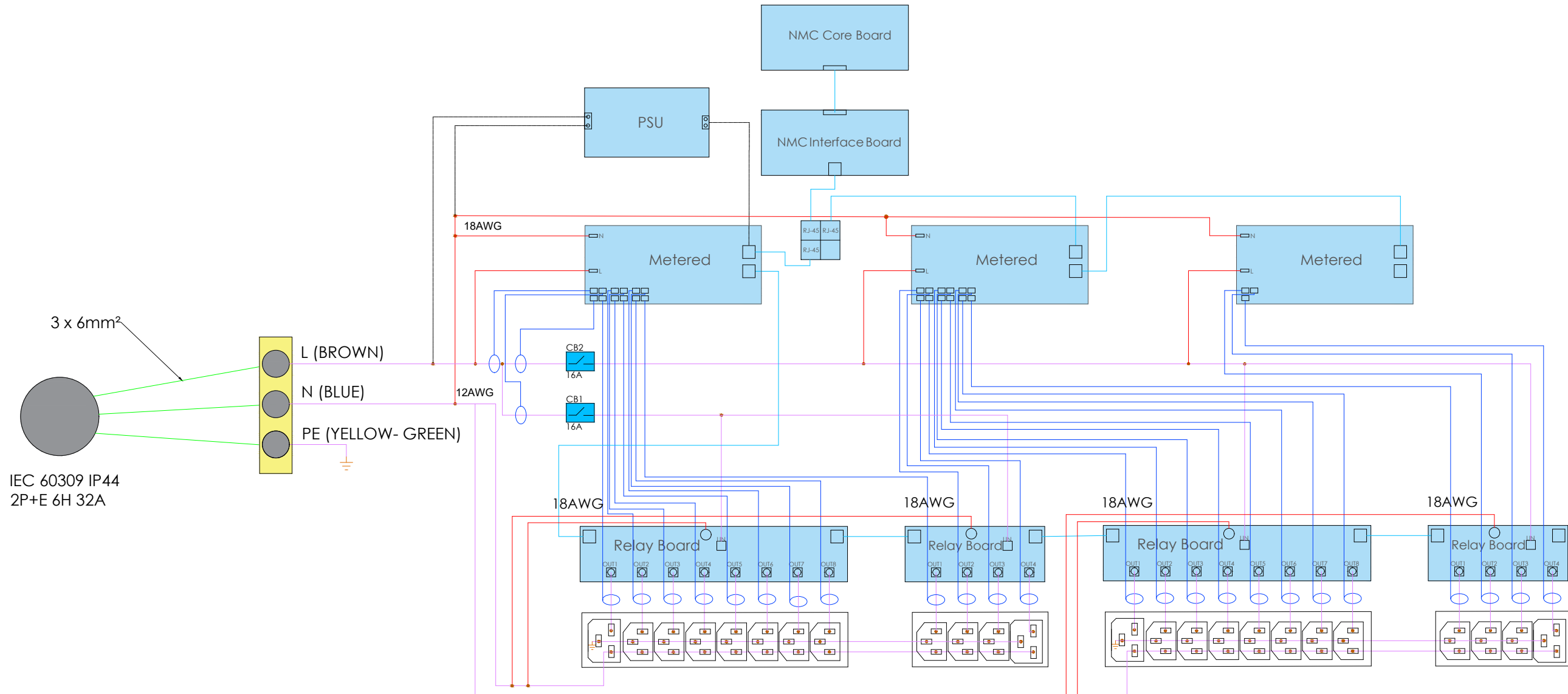
DRAWING NO: M6S0032-24C10ATSE1		REV NO: A
NAME		DATE
DATE		COMMENTS:
DRAWN BY	AMY ZHU	2025/3/13
APP. BY	JOHAN ZUO	2025/3/13
SCALE: N/A	WEIGHT:	SHEET: 1 OF 2

MATERIAL: N/A	FINISH: N/A
DEBURR AND BREAK SHARP EDGES/CONTOURS AT 0.2mm MAX	
CLASS: N/A	

INTERPRET TO ASME Y14.100

NOTES:

1. INSTALLATION SHALL COMPLY WITH ALL APPLICABLE NATIONAL, STATE AND LOCAL ELECTRICAL CODES.
2. REFER TO PRODUCT DOCUMENTATION FOR ADDITIONAL DETAILS PRIOR TO INSTALLATION AND PREPARATION WORK.
3. THIS DRAWING DEPICTS THE POWER SYSTEM CONNECTIONS AND IS NOT REPRESENTATIVE OF THE PHYSICAL LAYOUT. PLEASE REFER TO MECHANICAL DRAWINGS FOR PHYSICAL LAYOUT.



PROPRIETARY AND CONFIDENTIAL THIS DRAWING AND ITS SPECIFICATIONS ARE THE PROPERTY OF INOVA AND SHALL NOT BE COPIED, REPRODUCED, OR USED IN WHOLE OR IN PART, AS THE BASIS FOR THE MANUFACTURE OR SALE OF ITEMS WITHOUT THE WRITTEN PERMISSION FROM INOVA. THIS DRAWING IS BASED UPON THE LATEST AVAILABLE INFORMATION AND IS SUBJECT TO CHANGE WITHOUT NOTICE.	UNLESS OTHERWISE SPECIFIED X = ± 1 X.X = ± 0.5 X.XX = ± 0.30 X.XXX = ± 0.130 ANGULAR X = 1° .X = 0.5° .XX = 0.25°		DESCRIPTION: Single Phase; Input current Max 032A; With Input Power Cord 3meters; IEC 60309 32A 2P+E, 6h, IP44 plug Installed C13(20),C19(4);Not lockable, w/ CB; No SPD, No Rocker Switch; Sheet Metal; Black; OU Vertical;1 Gbps Network Card MATERIAL: N/A FINISH: N/A	DRAWING NO: M6S0032-24C10ATSE1		REV NO: A
	UNITS: mm [in]			INTERPRET TO ASME Y14.100 DEBURR AND BREAK SHARP EDGES/CONTOURS AT 0.2mm MAX CLASS: N/A		NAME: AMY ZHU DATE: 2025/3/13 COMMENTS:
			APP. BY: JOHAN ZUO DATE: 2025/3/13	SCALE: N/A WEIGHT:	SHEET: 2 OF 2	